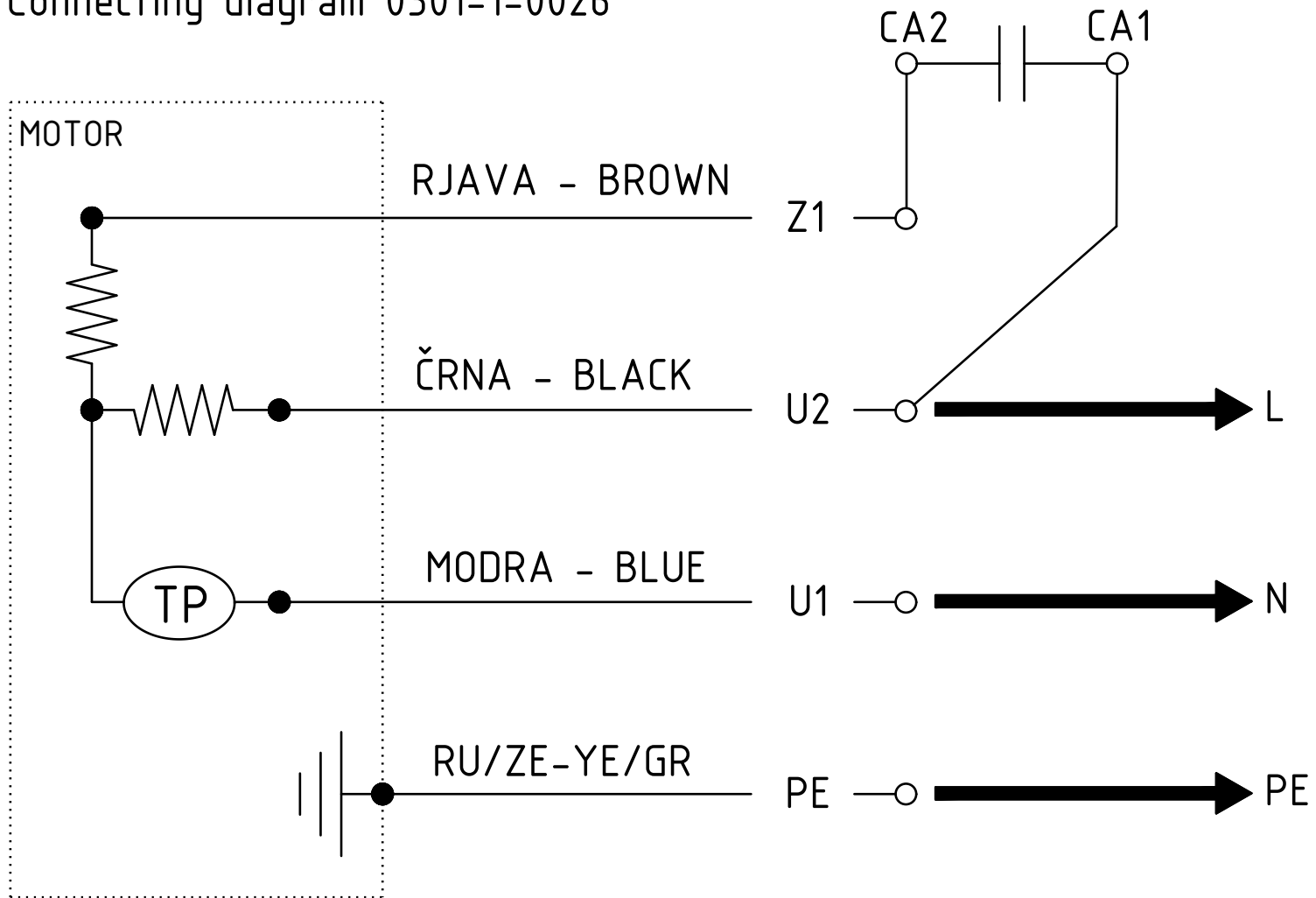


Connecting diagram 0301-1-0026



Rotation	L	N	PE	Join together	Protection device	Winding connection
CW from cable side	U2 (black)	U1 (blue)	PE (ye/gr)	[CA1,U2] [CA2,Z1]	Internal connected	Permanent split phase capacitor motor