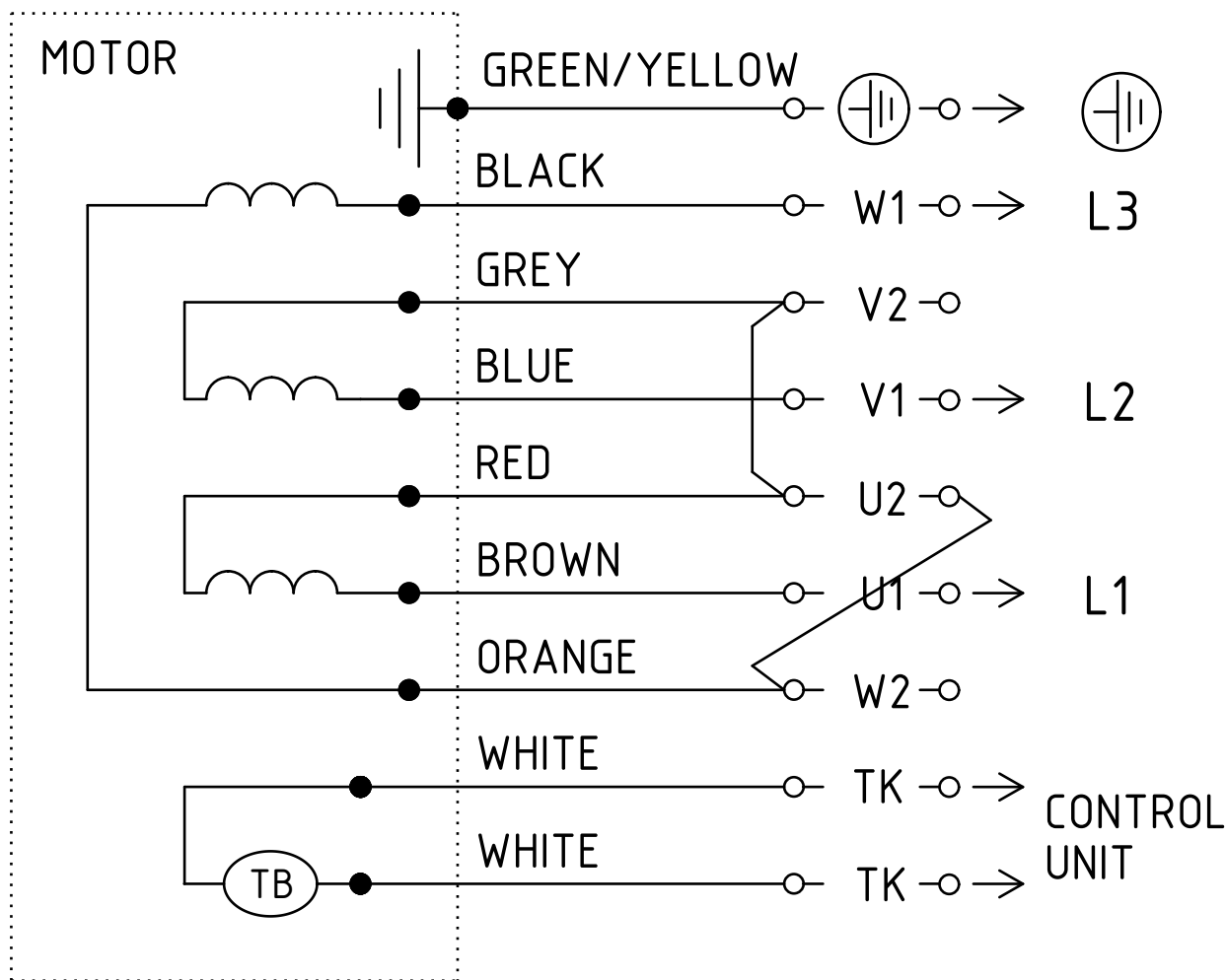


# Connecting diagram 0301-1-0049



## CONNECTION OPTIONS:

| L1 | L2 | L3 | PE | Protection device | Join together                   | Winding connection                 |
|----|----|----|----|-------------------|---------------------------------|------------------------------------|
| U1 | V1 | W1 | PE | TK , TK           | [U2.V2,W2]                      | STAR (Y) - high voltage (STANDARD) |
| U1 | V1 | W1 | PE | TK , TK           | [U1,W2];<br>[V1,U2];<br>[W1,V2] | DELTA (Δ)- low voltage             |

\* CHANGING OF ROTATION DIRECTION BY INTERCHANGING OF 2 PHASES!

\* TEMPERATURE MONITORS (TK) BUILT IN TO THE WINDING SERVE AS MOTOR CUT-OUT SWITCH AND MUST BE CONNECTED TO THE OUTSIDE CONTROL UNIT!