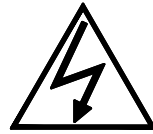
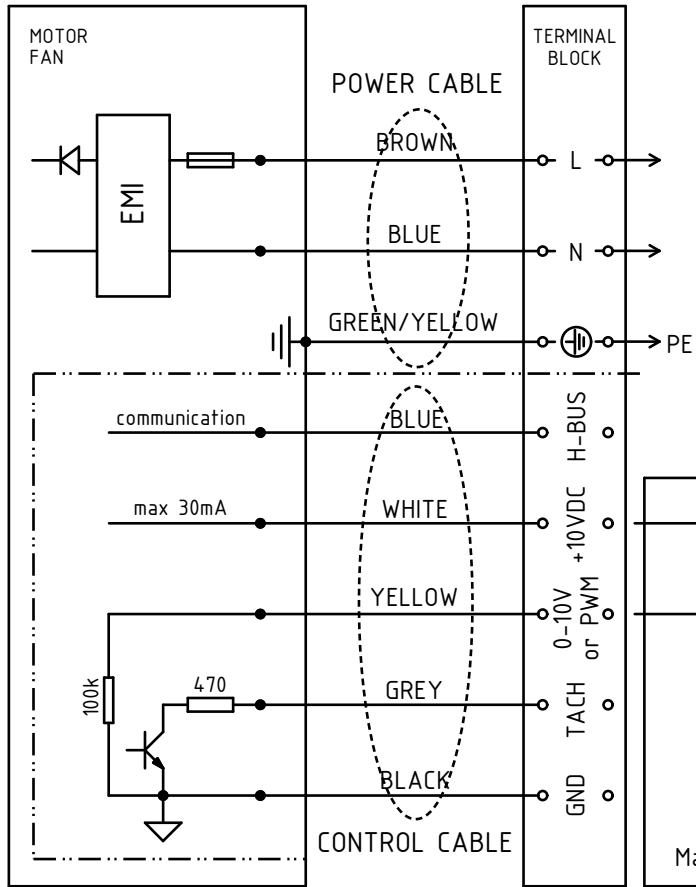


Connecting diagram 0302-1-0000



**WARNING:**

- Before opening connection box switch off electric power!
- Dangerous voltages, capacitor discharge time 5min!

**CONTROL OPTIONS**

