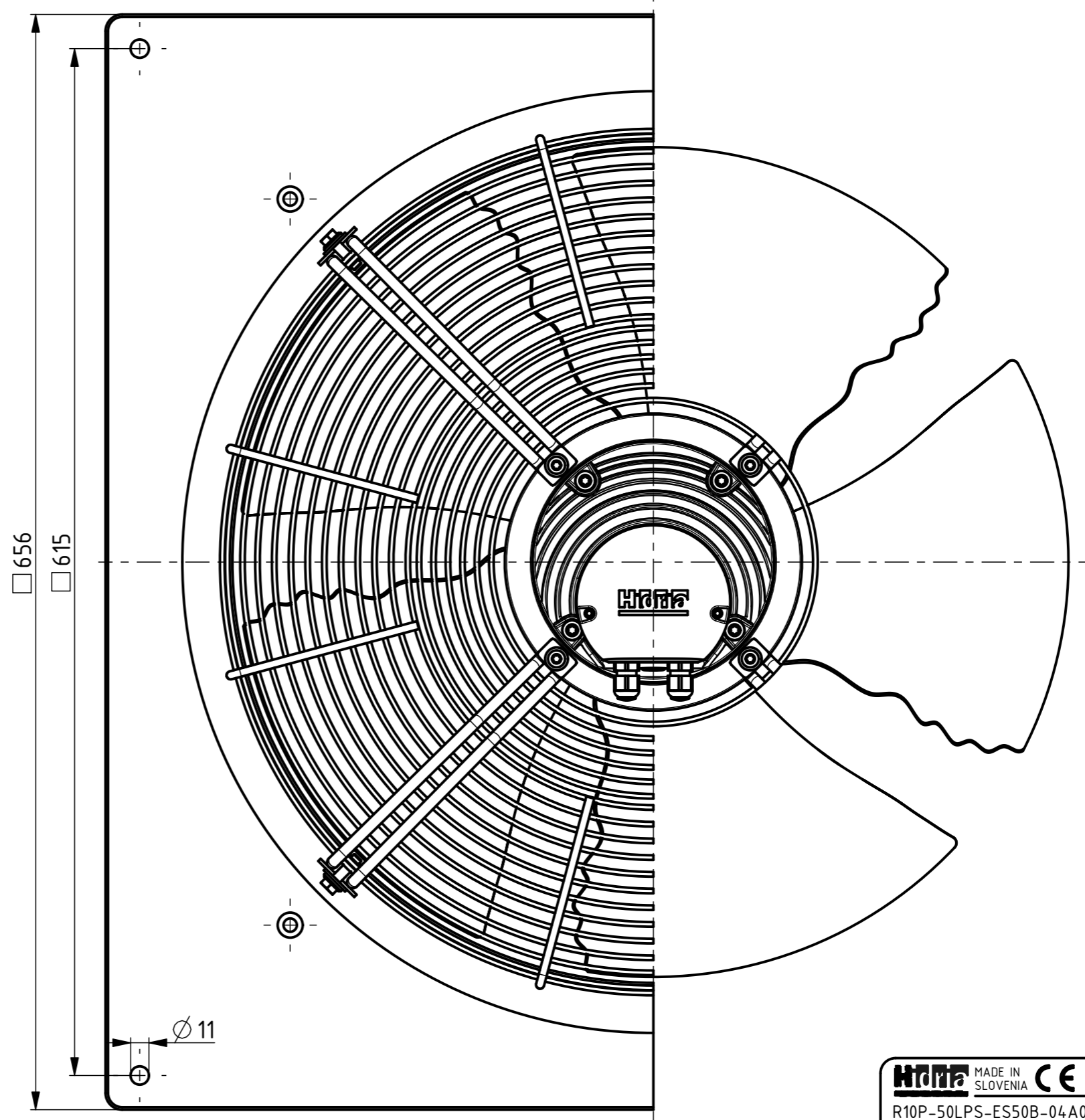
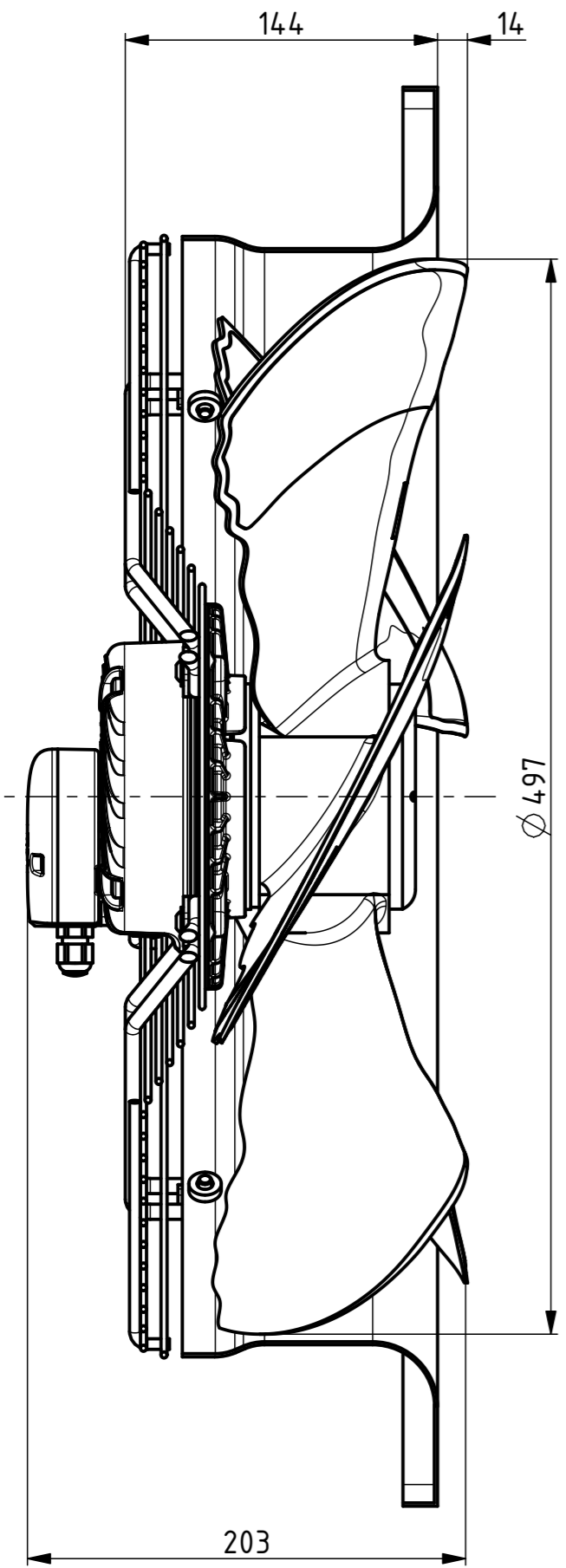


AIRFLOW
DIRECTION



Weight: 11,3kg

	MADE IN SLOVENIA		DATE
	R10P-50LPS-ES50B-04A05		0310-4-0009
EN60335	1~200-240V 50-60Hz 300W 2,05A		
	1280RPM MAX.AMB.60° C IP54		
	INS.CL.130 TH.PROT.		
ErP: Effes=49,4% (A,static) N=58,7 VSD integrated			