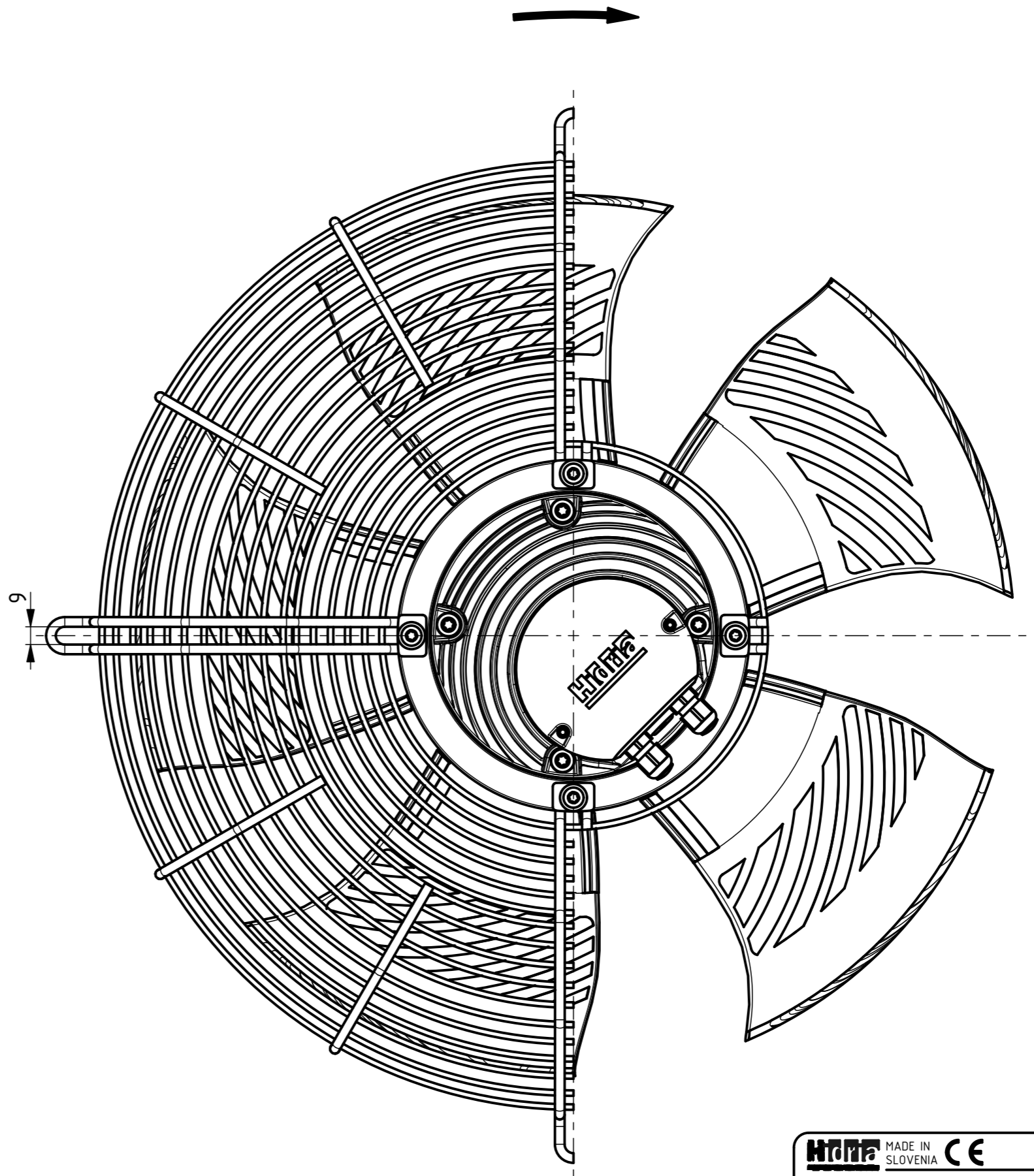
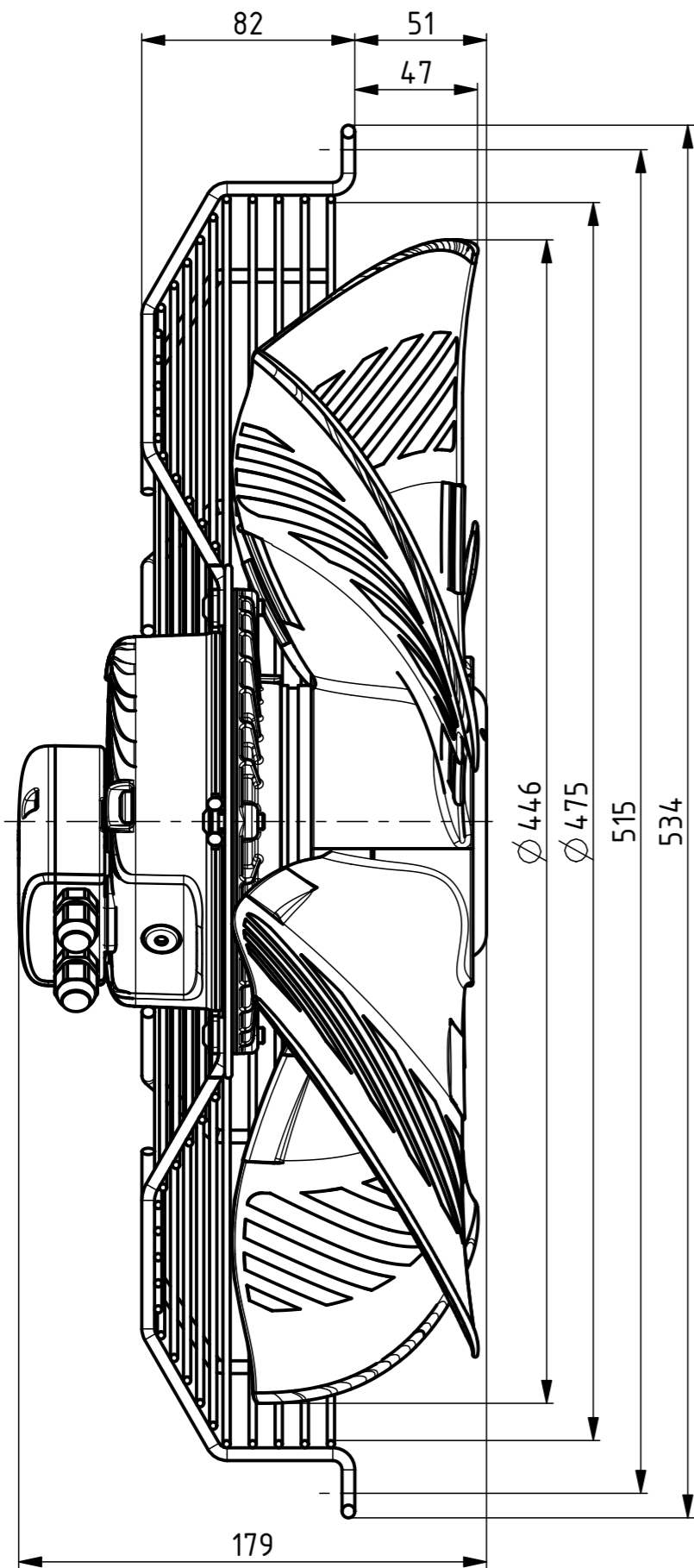


AIRFLOW
DIRECTION



Weight: 5,3kg

WIMA MADE IN SLOVENIA CE	DATE
R10R-45APS-ES50B-04A05 0310-4-0018	QR code
EN60335 1~230-240V 50-60Hz 300W 2,05A	
1280RPM MAX.AMB.65° C IP54	
INS.CL.130 TH.PROT.	
ErP: Effes=43,2% (A,static) N=52,5 VSD integrated	