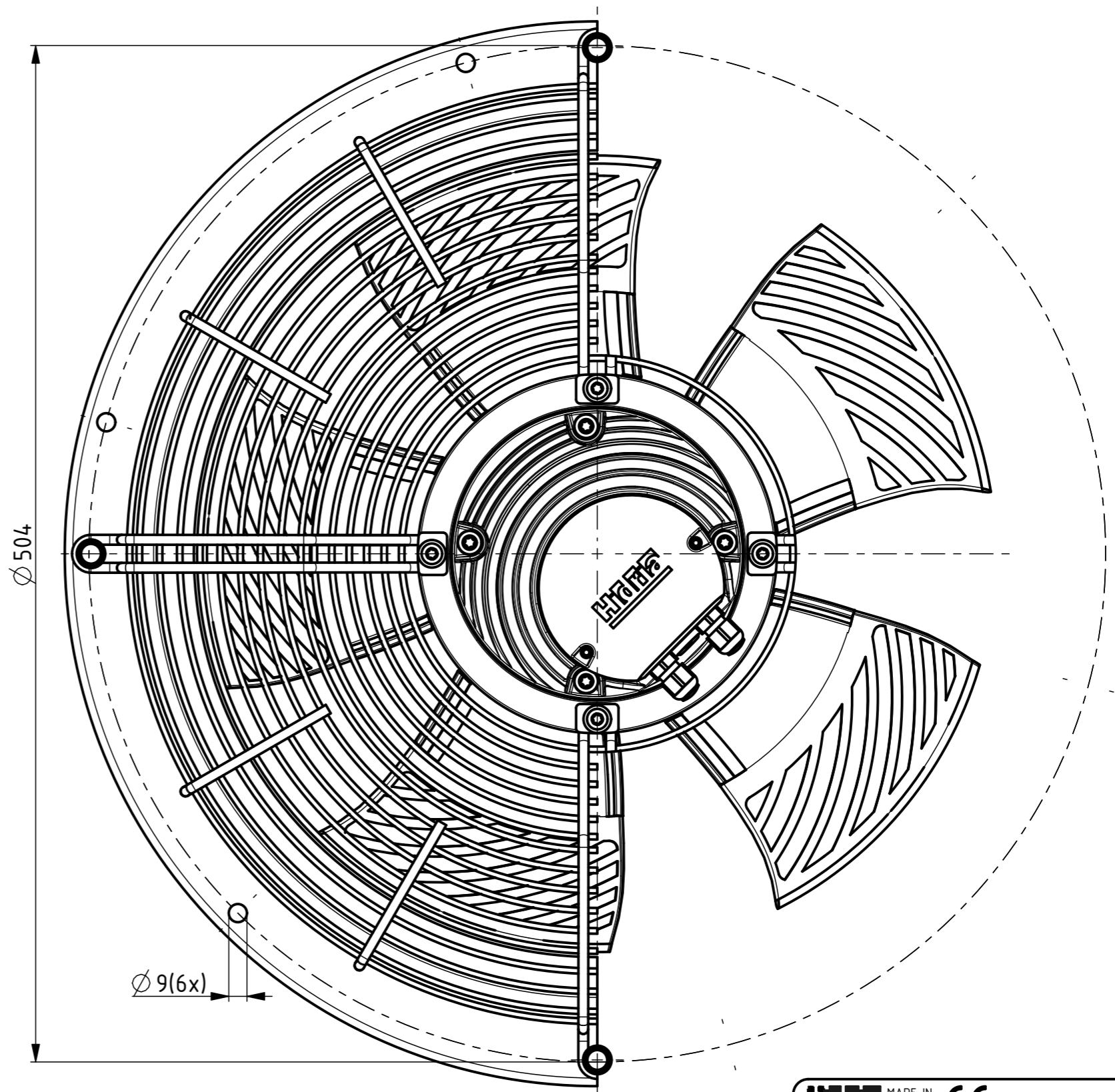
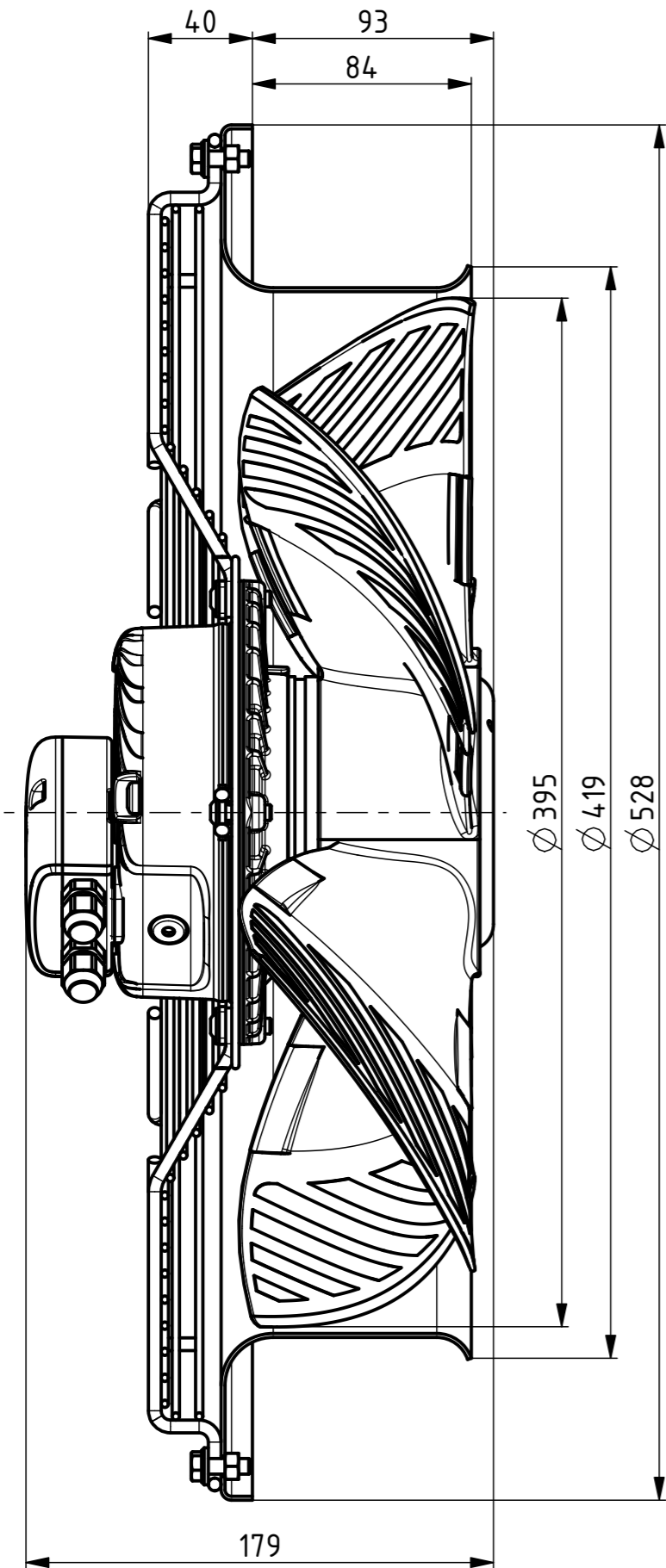


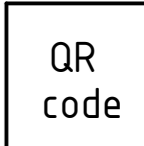


AIRFLOW
DIRECTION



Weight: 7,5kg

 MADE IN SLOVENIA 	DATE
R10P-40APS-ES50B-02A01 0310-4-0025	
5E0335 1~230-240V 50-60Hz 320W 2,15A	 QR code
ENG0335 1520RPM MAX.AMB.65° C IP54	
INS.CL.130 TH.PROT.	
ErP: Effes=43,1% (A,static) N=52,4 VSD integrated	