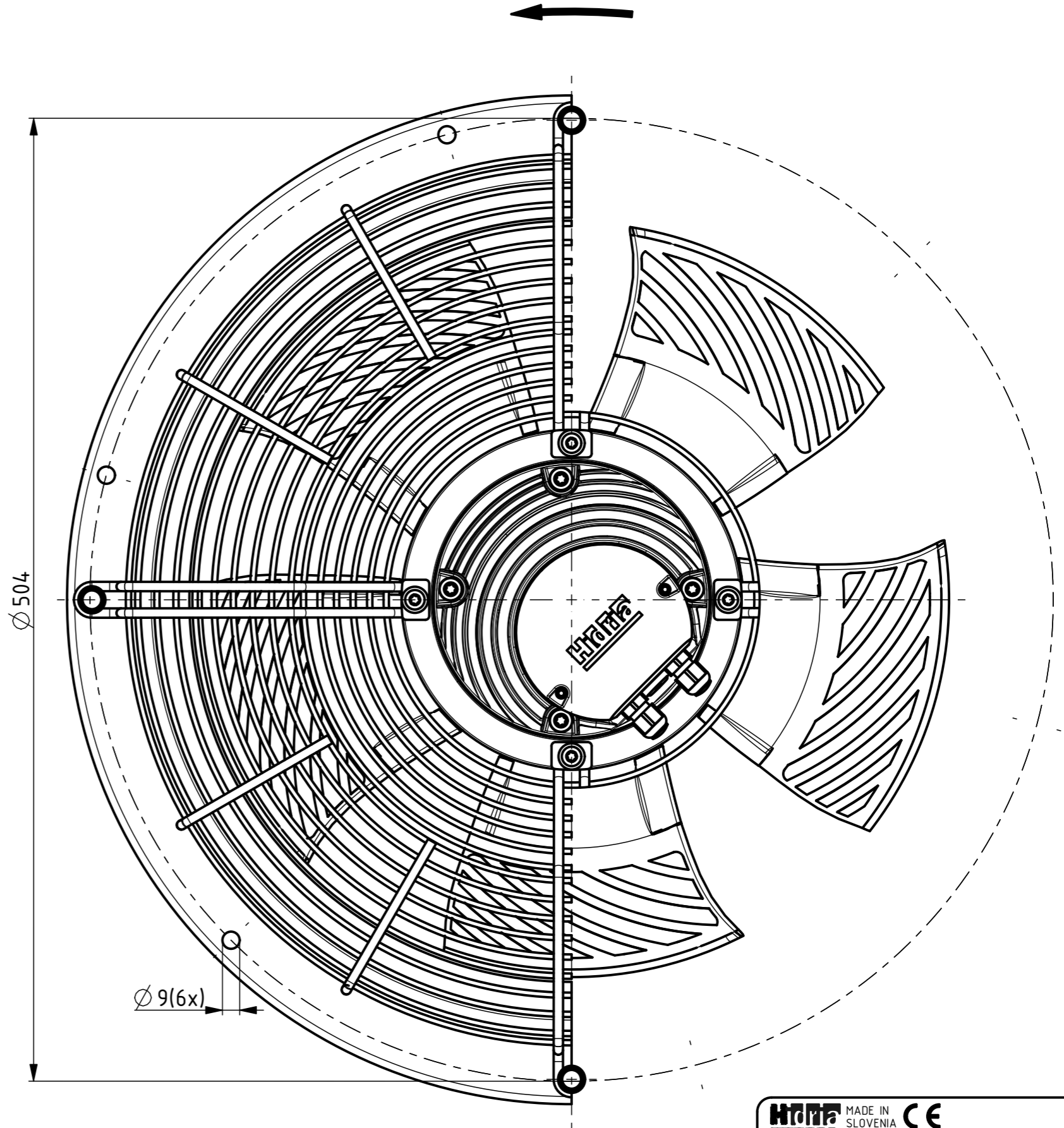
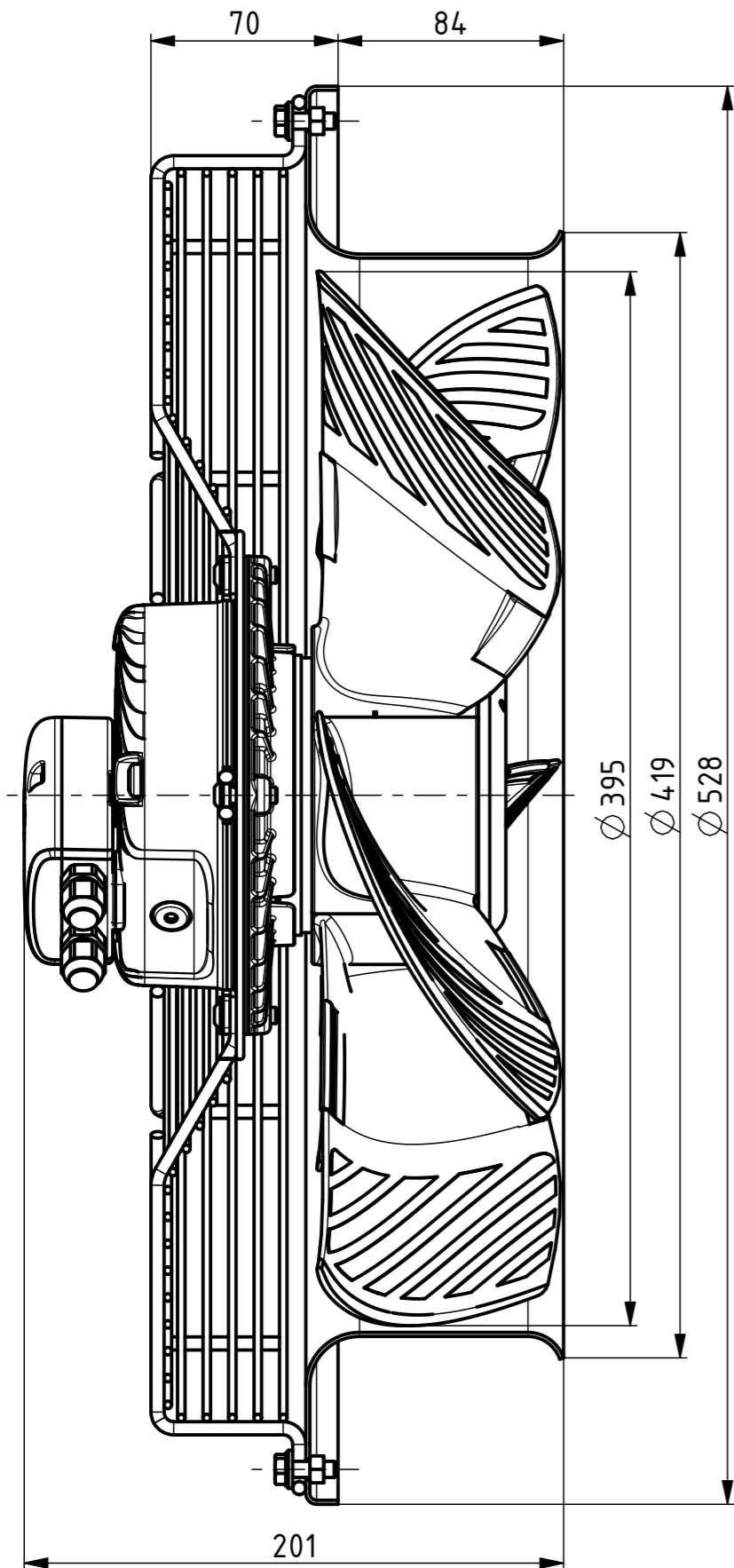


AIRFLOW  
DIRECTION →



Weight: 7,5kg

<b>HITACHI</b> MADE IN SLOVENIA <b>CE</b>	DATE
R10P-40APB-ES50B-02A01 0310-4-0027	
5E6030N 1~230-240V 50-60Hz 320W 2,15A 1520RPM MAX.AMB.65° C IP54 INS.CL.130 TH.PROT.	QR code
ErP: Effes=43,1% (A,static) N=52,4 VSD integrated	