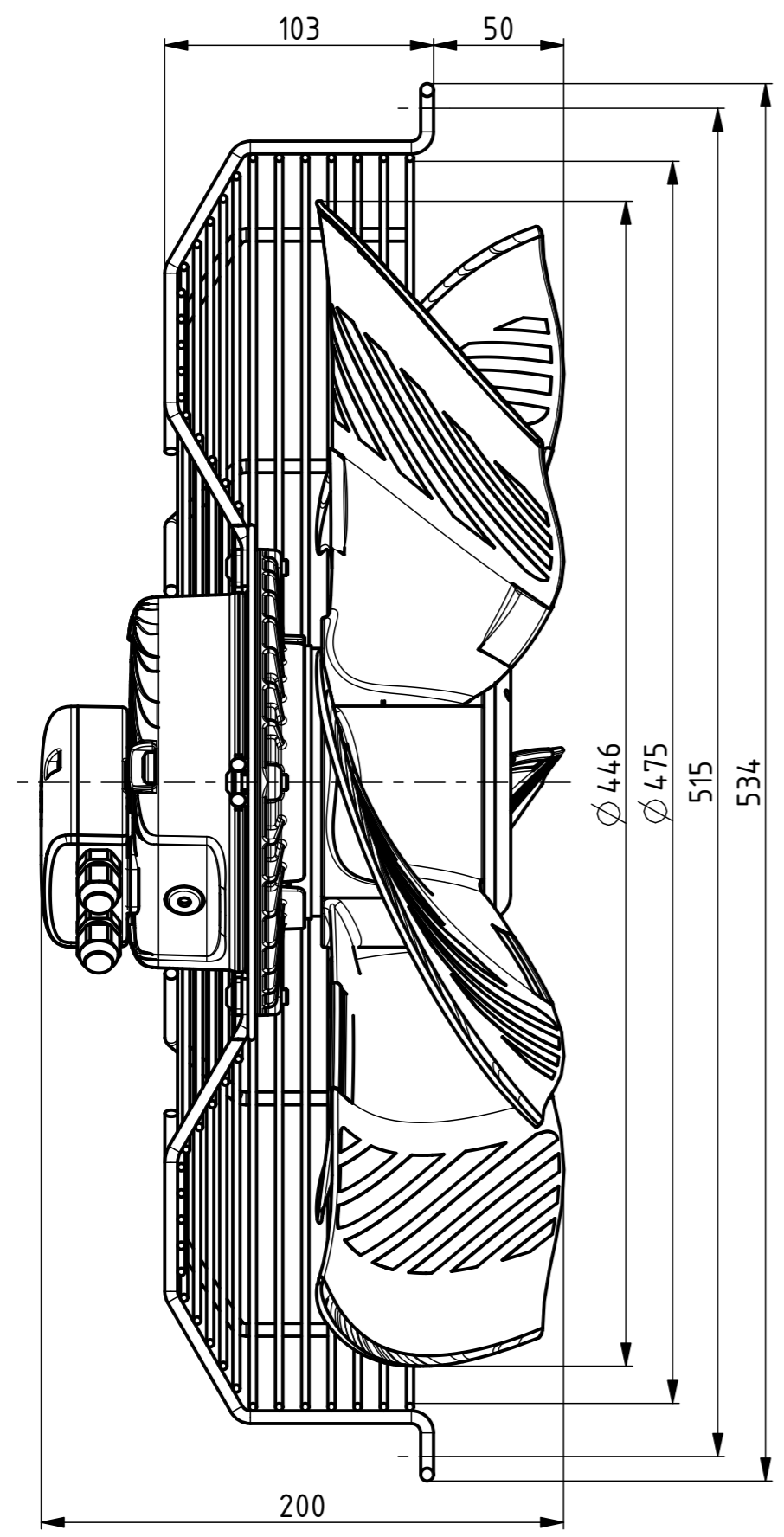
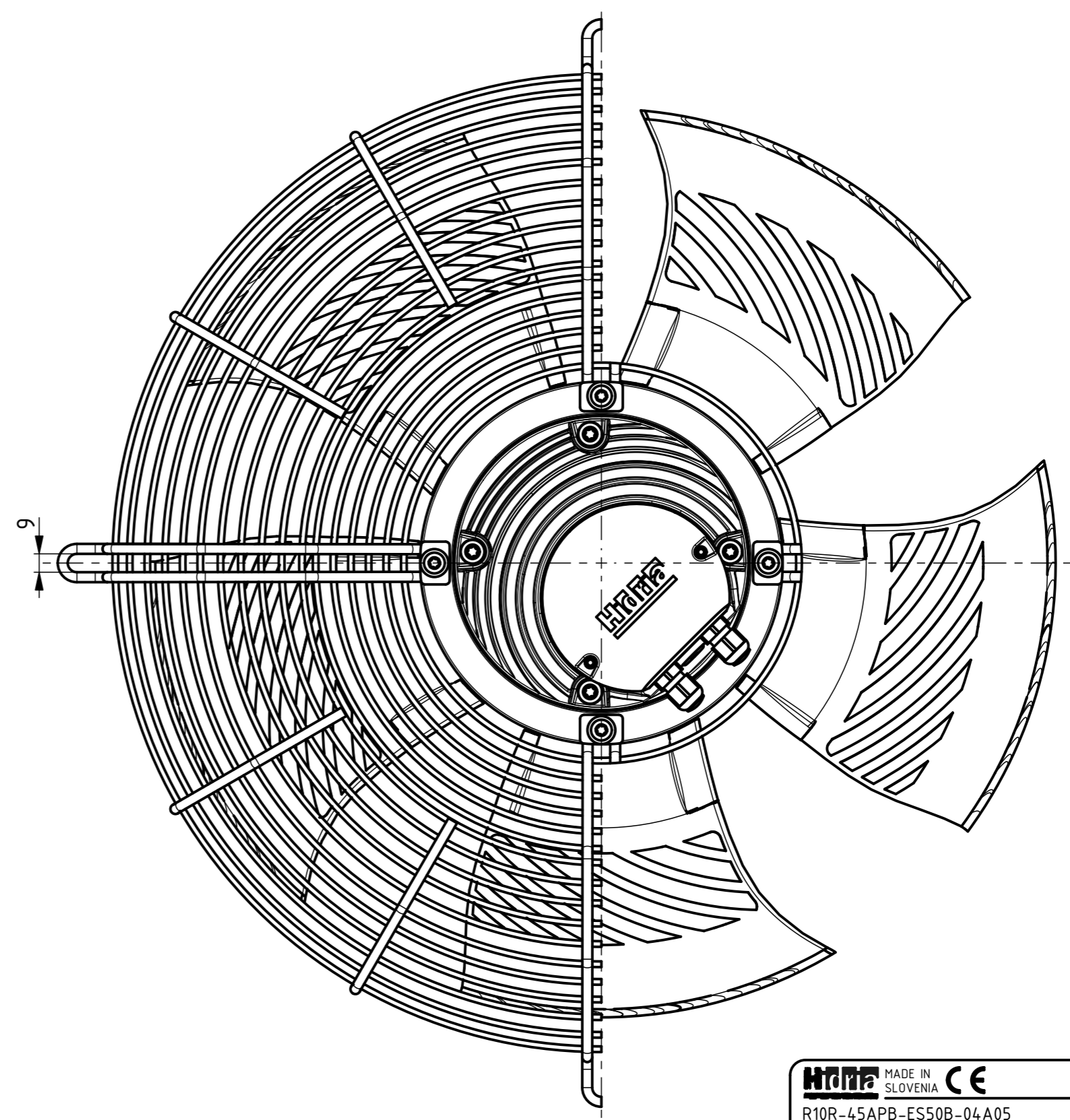


AIRFLOW  
DIRECTION →



←



Weight: 5,3kg

<b>WIMA</b> MADE IN SLOVENIA <b>CE</b>	DATE	
	R10R-45APB-ES50B-04A05 0310-4-0029	
	1~230-240V 50-60Hz 300W 2,05A	
	1280RPM MAX.AMB.65° C IP54	
EN60335	INS.CL.130 TH.PROT.	QR code
ErP: Effes=43,2% (A,static) N=52,5 VSD integrated		