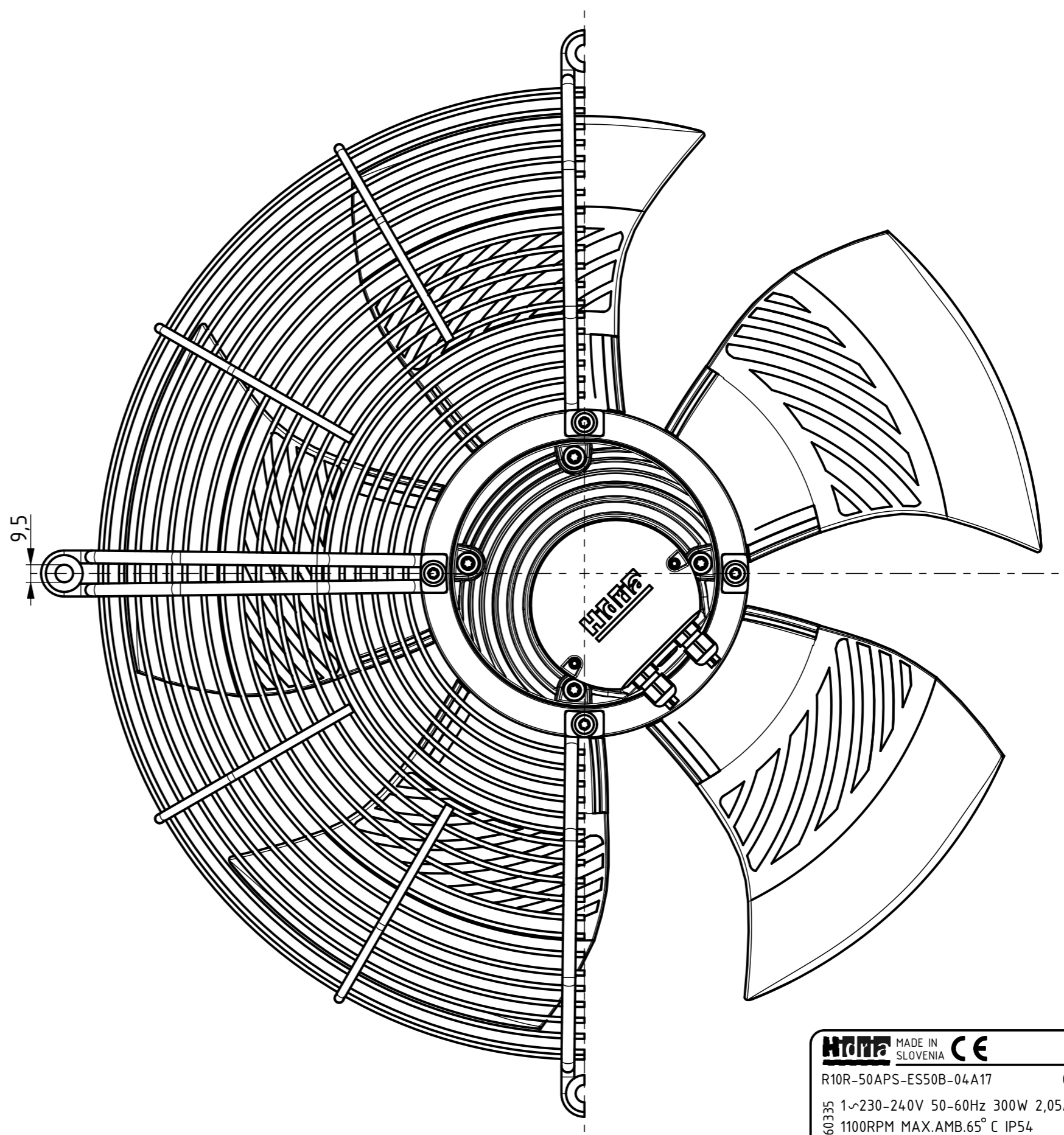
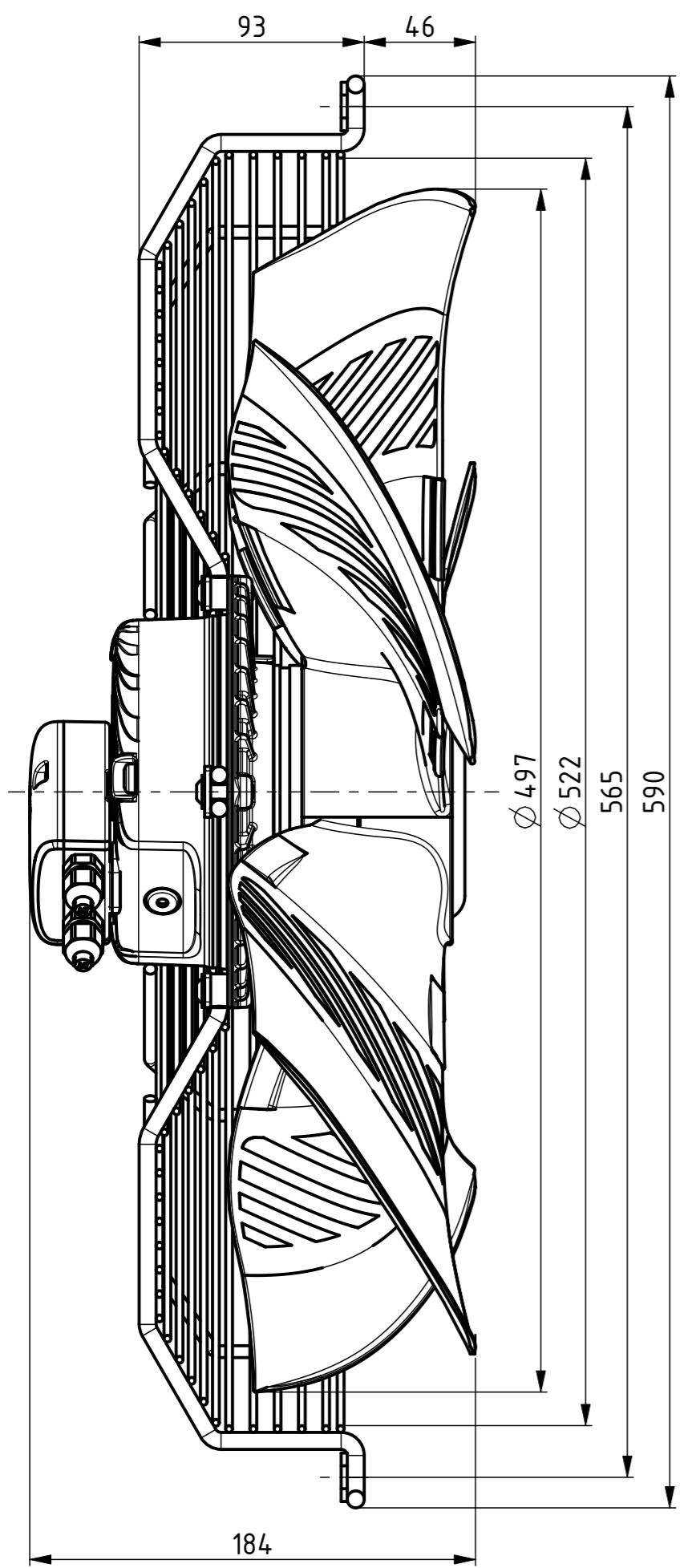


AIRFLOW  
DIRECTION



Weight: 7,4kg

<b>HTMP</b> MADE IN SLOVENIA	<b>CE</b>	DATE
R10R-50APS-ES50B-04A17	0310-4-0047	QR code
1~230-240V 50-60Hz 300W 2,05A		
1100RPM MAX.AMB.65° C IP54		
INS.CL.130 TH.PROT. ROT.		
ErP: Effes=45,0% (A,static) N=54,3 VSD integrated		