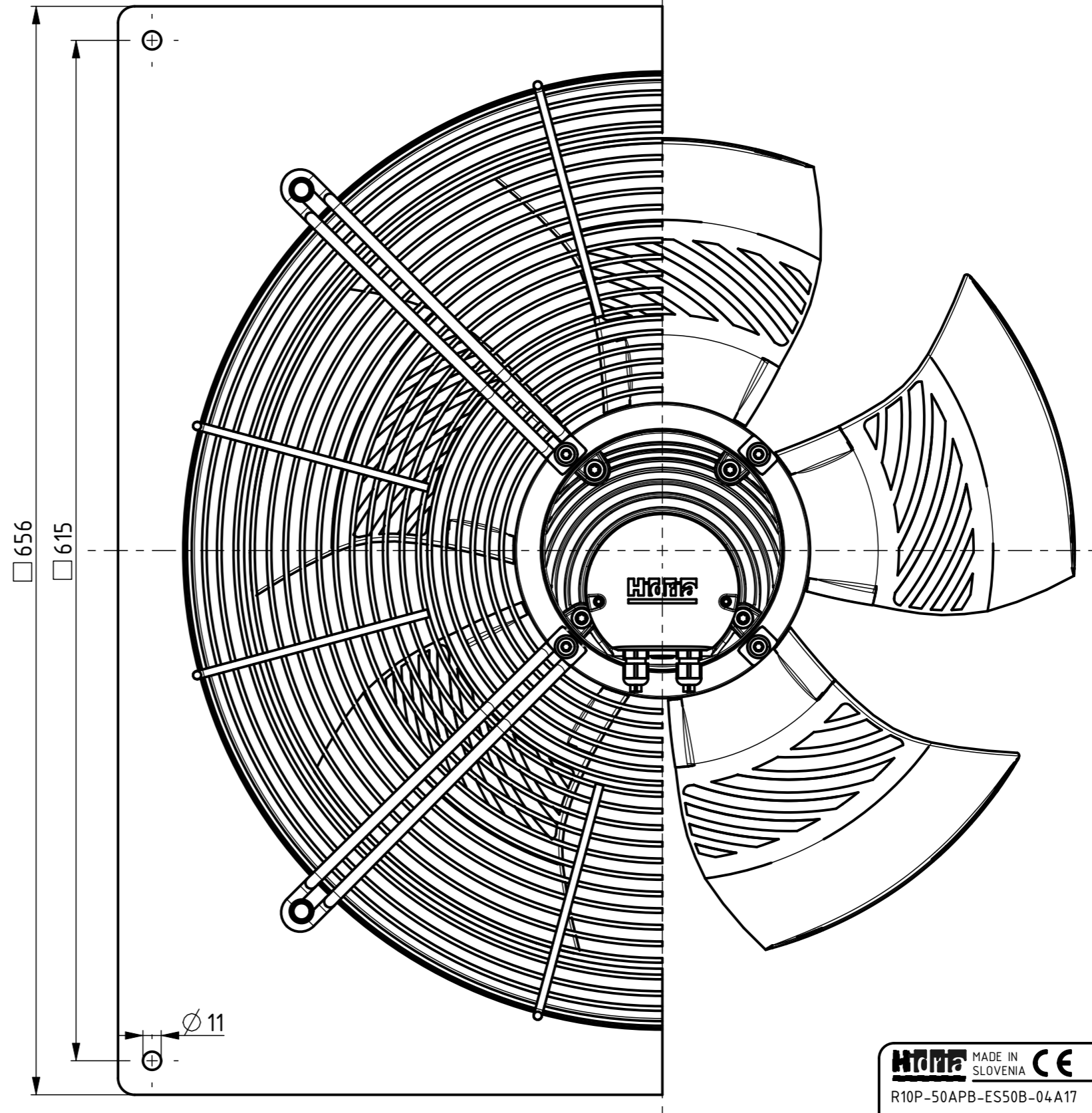
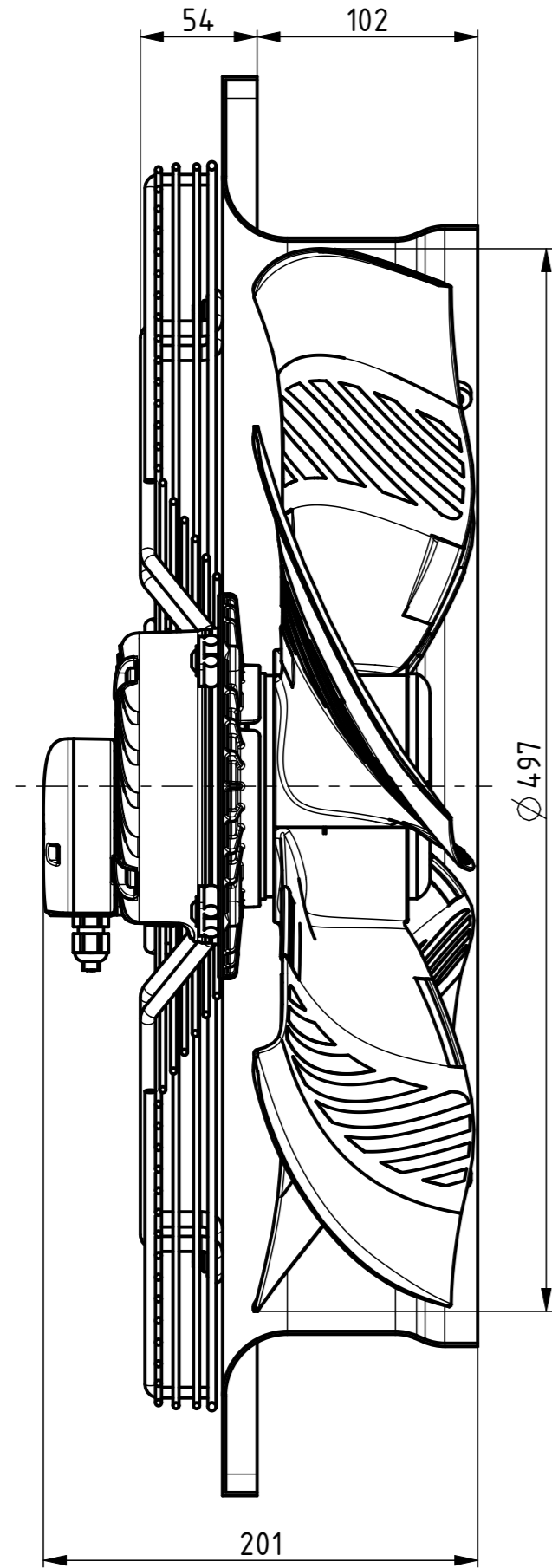


AIRFLOW
DIRECTION



Weight: 11,6kg

HTMP MADE IN SLOVENIA	CE	DATE
R10P-50APB-ES50B-04A17	0310-4-0050	QR code
1~230-240V 50-60Hz 300W 2,05A		
1100RPM MAX.AMB.65° C IP54		
INS.CL.130 TH.PROT. ROT.		
ErP: Effes=45,0% (A,static) N=54,3 VSD integrated		