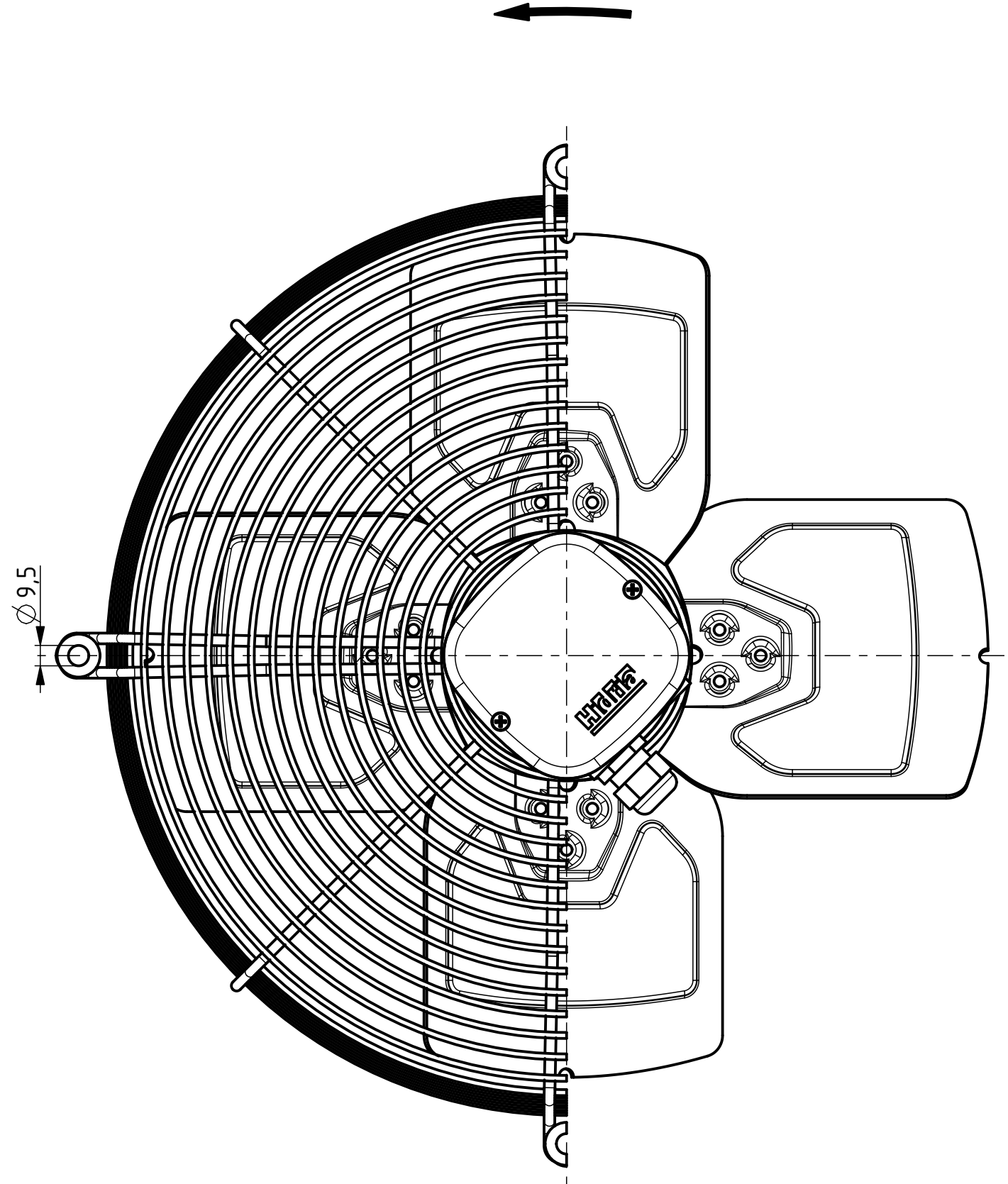
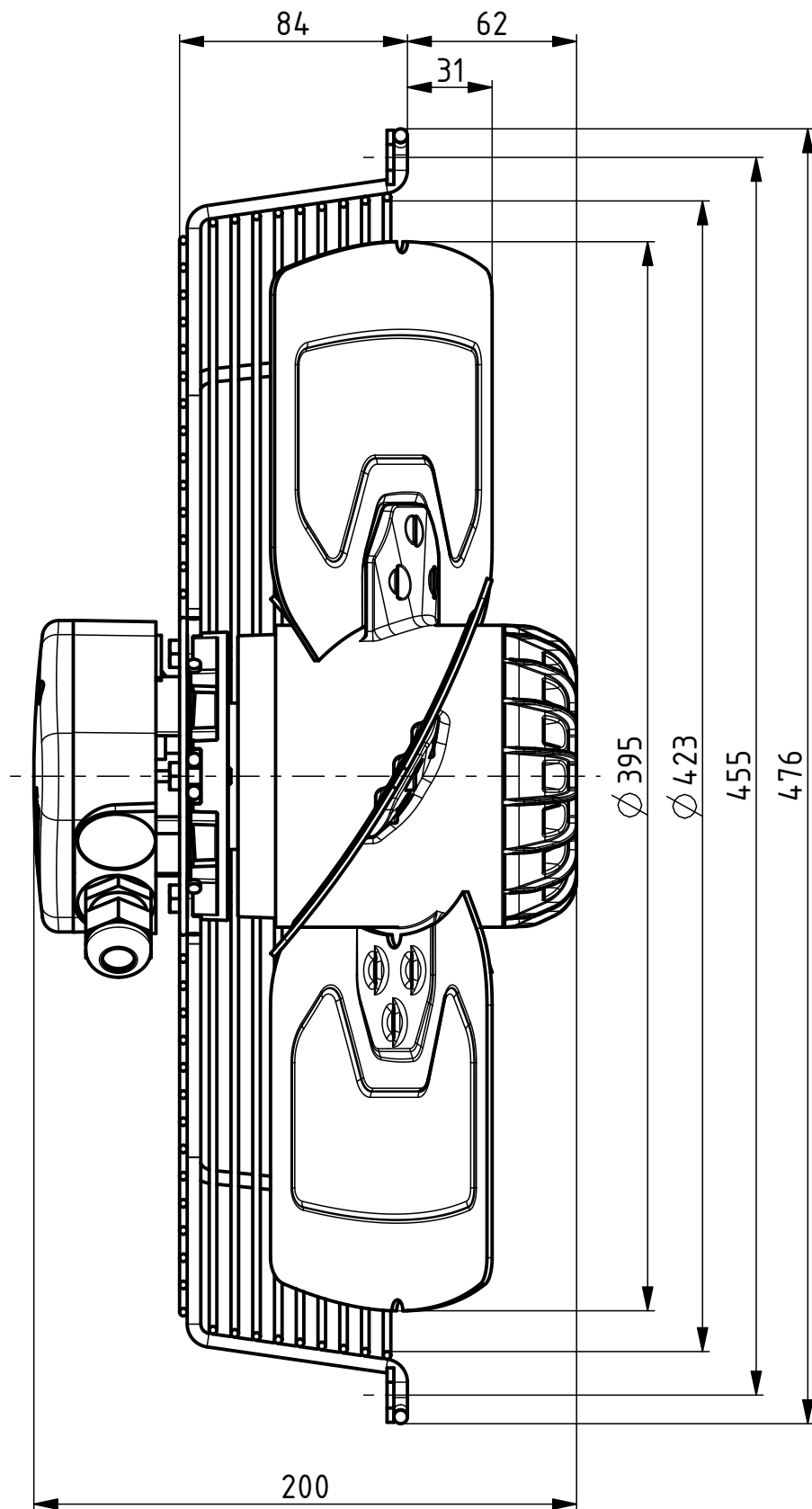


AIRFLOW
DIRECTION



Weight: 6,1kg

HOMER MADE IN SLOVENIA **CE** DATE
R11R-4030A-4M-5137 0311-4-0192
1~230V 50/60Hz 200/265W 0,9/1,15A 1345/1500RPM
MAX.AMB.65/45° C IP54 INS.CL.155 C=6,3pF/450V
TH.PROT.
ErP: Effes=32,1% (A,static) N=42,5