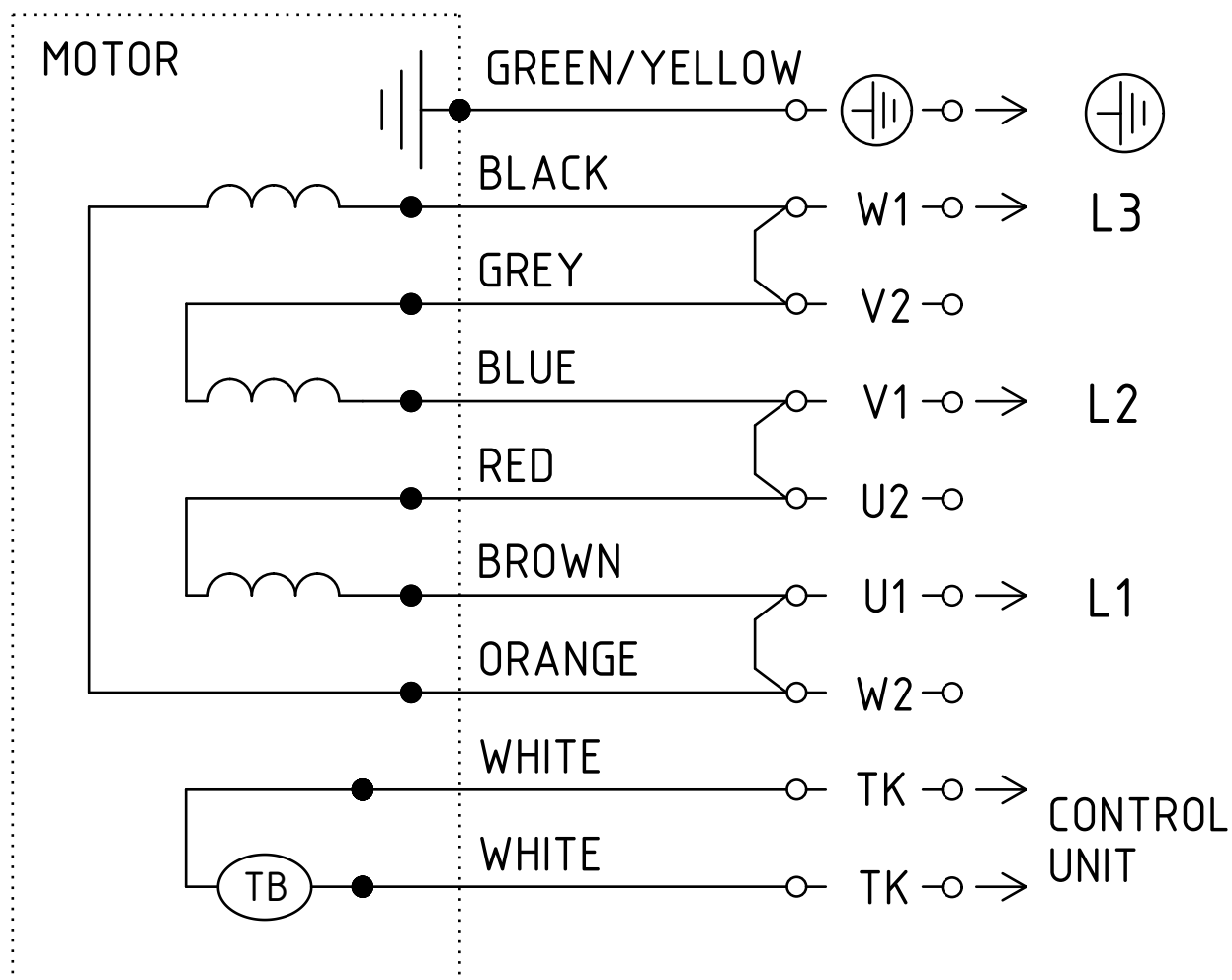


Connecting diagram 0301-1-0048



CONNECTION OPTIONS:

| L1 | L2 | L3 | PE | Protection device | Join together | Winding connection |
|----|----|----|----|-------------------|---------------------------------|---|
| U1 | V1 | W1 | PE | TK , TK | [U1,W2]; [V1,U2]; [W1,V2] | DELTA (Δ)- high speed (STANDARD) |
| U1 | V1 | W1 | PE | TK , TK | [U2.V2,W2] | STAR (Y) - low speed |

- * CHANGING OF ROTATION DIRECTION BY INTERCHANGING OF 2 PHASES!
- * WITHOUT BRIDGES WHEN USING SPEED-CHANGE OVER SWITCH!
- * TEMPERATURE MONITORS (TK) BUILT IN TO THE WINDING SERVE AS MOTOR CUT-OUT SWITCH AND MUST BE CONNECTED TO THE OUTSIDE CONTROL UNIT!