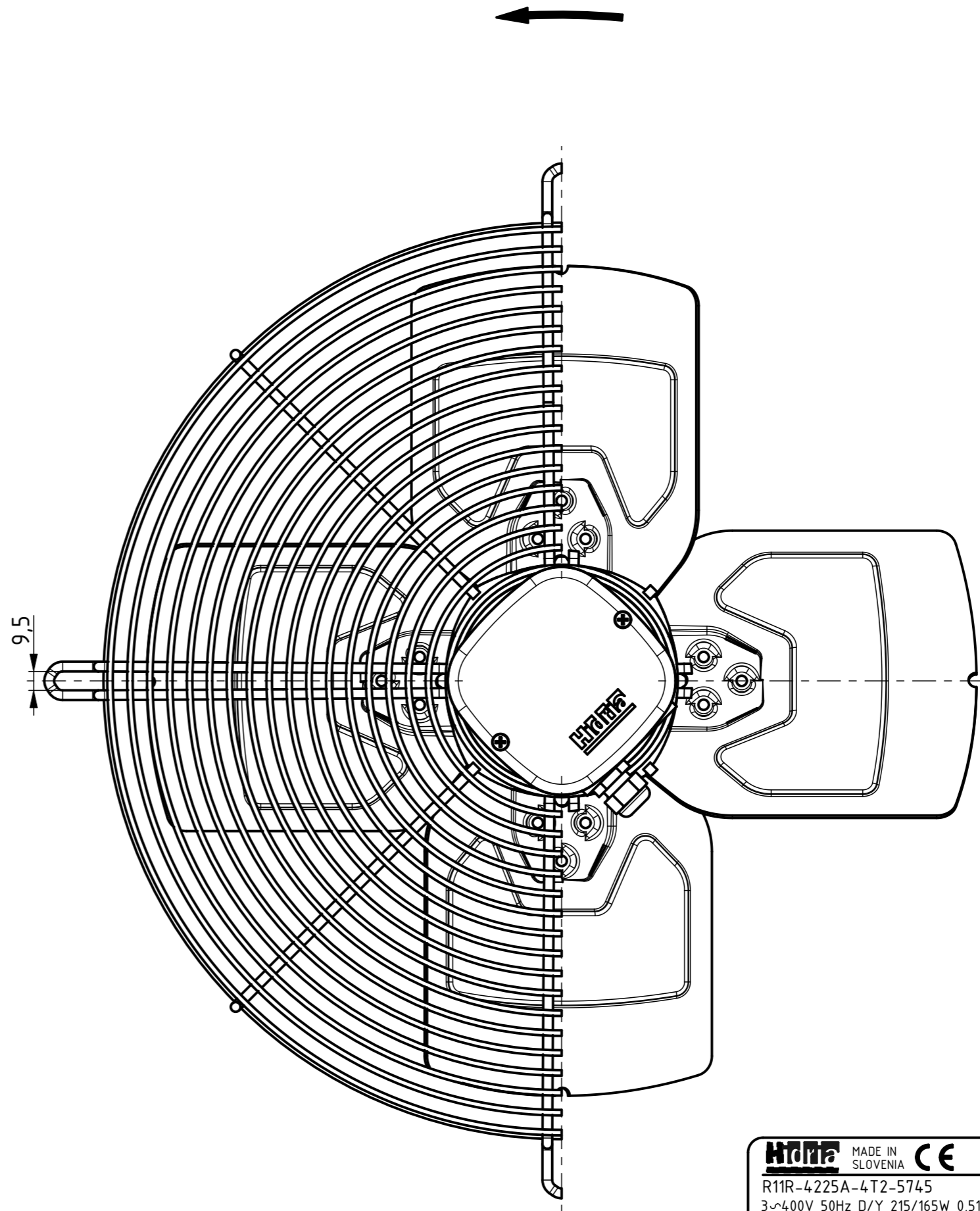
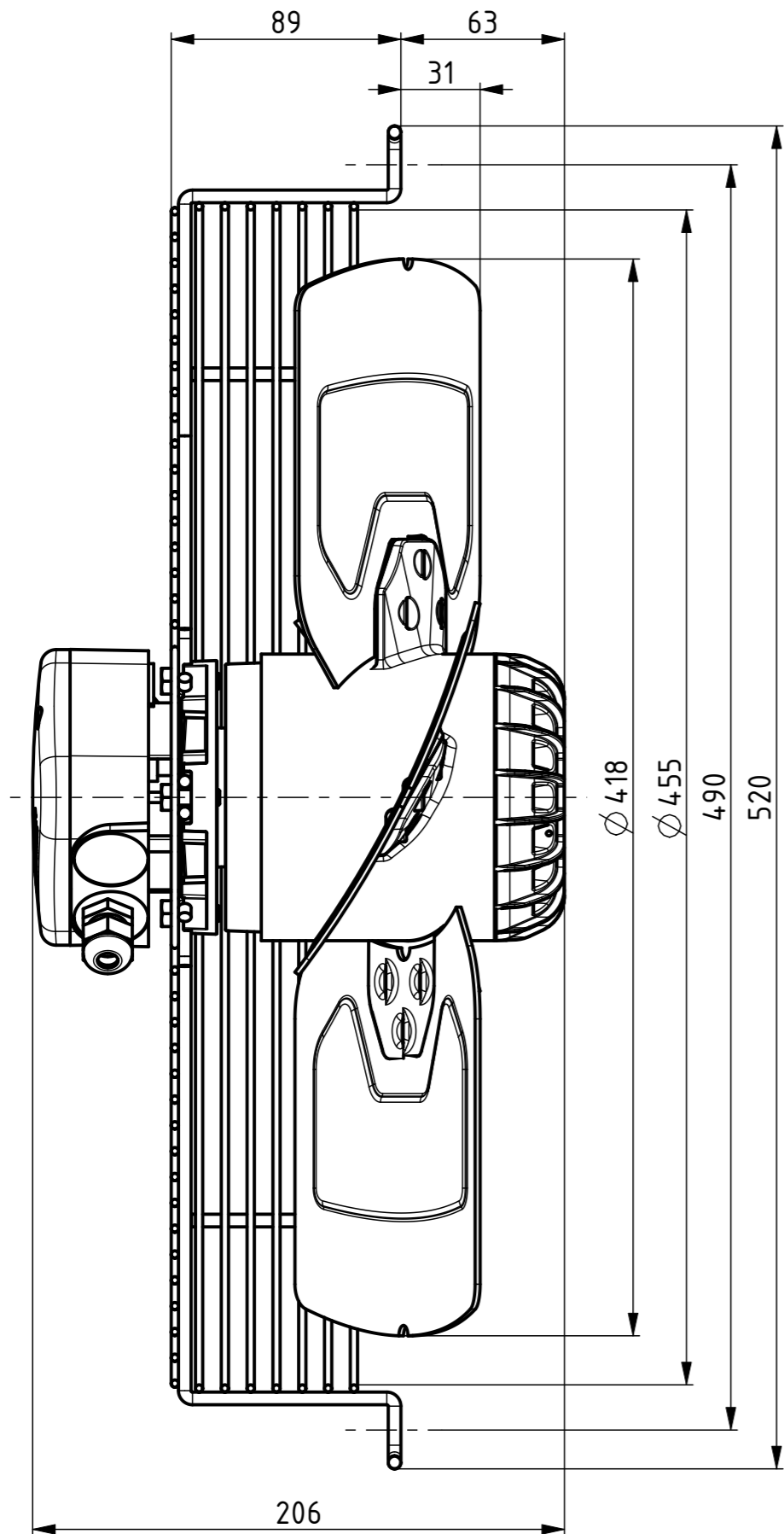


AIRFLOW
DIRECTION



Weight: 7,8kg

| | |
|---|-------------|
| HTM MADE IN SLOVENIA CE | DATE |
| R11R-4225A-4T2-5745 | 0311-4-0277 |
| 3~400V 50Hz D/Y 215/165W 0,51/0,26A 1410/1240RPM MAX.AMB.70°C | |
| 3~400V 60Hz D/Y 305/220W 0,56/0,37A 1410/1300RPM MAX.AMB.60°C | |
| IP54 INS.CL.155 | |
| TH.PROT. | |
| ErP: Effes=33,5% (A,static) N=43,7 | |