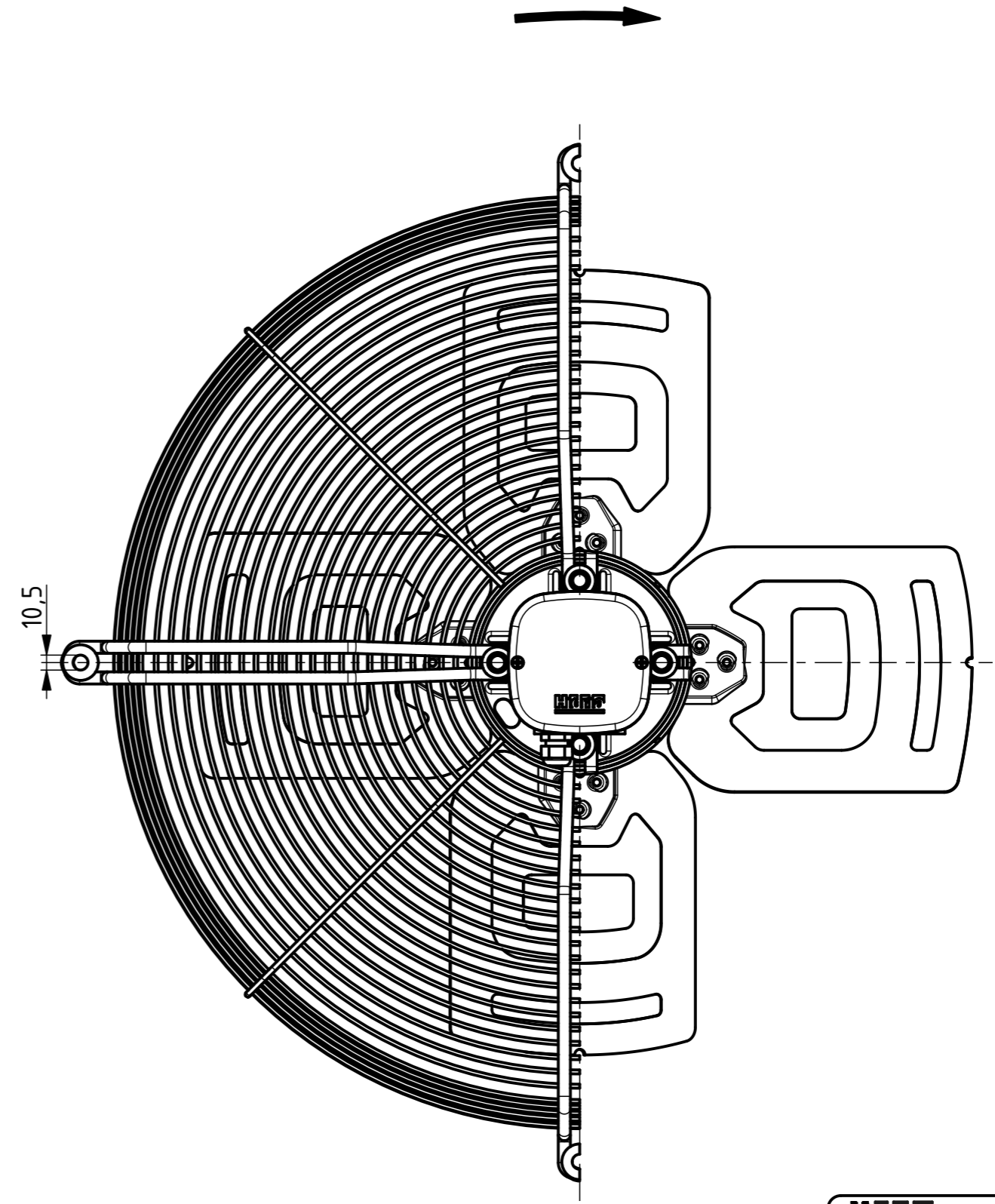
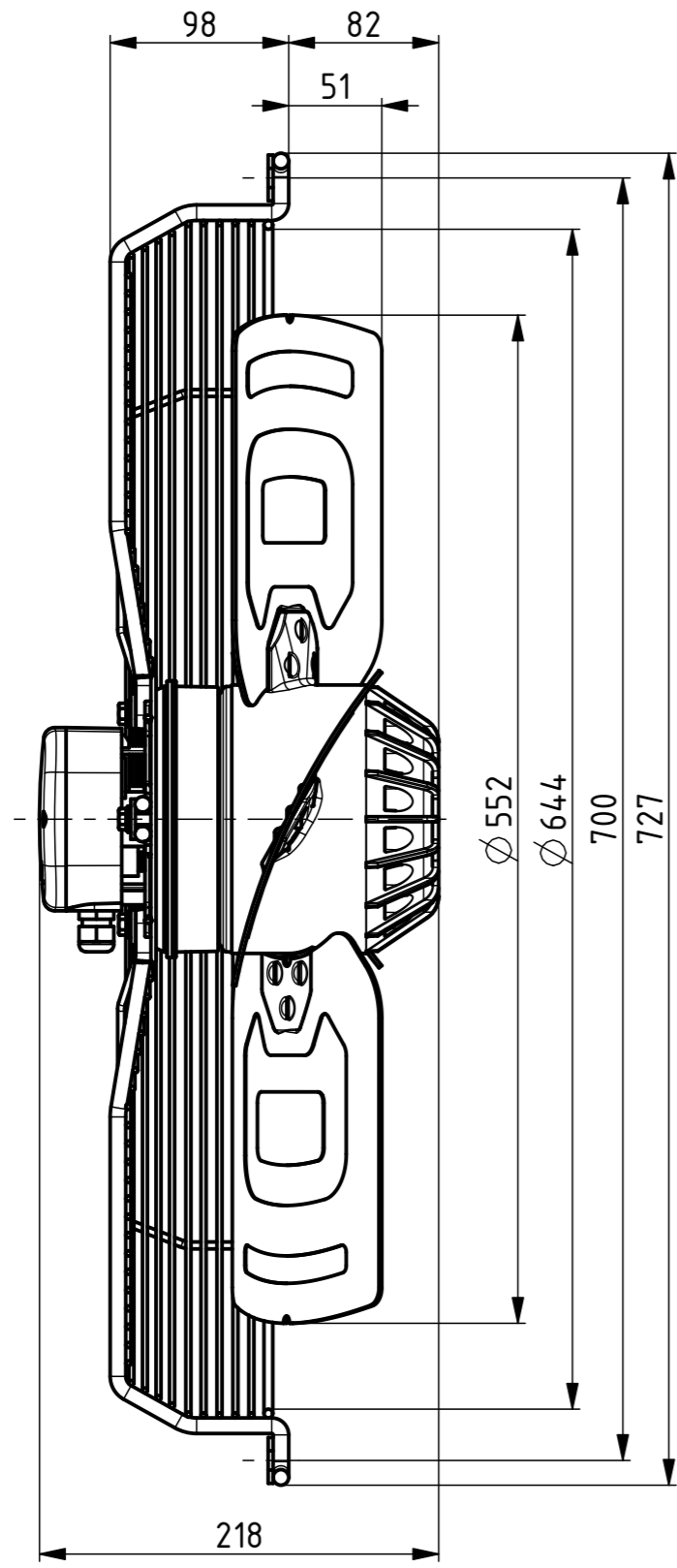


AIRFLOW  
DIRECTION →



Weight: 14kg

<b>HMP</b> MADE IN SLOVENIA	<b>CE</b>	DATE
R13R-5625P-4T2-7002		0313-4-0052
3~400V D/Y 50Hz 670/450W 1,3/0,73A		
1360/1130RPM IP54 INS.CL.155 MAX.AMB.65/65° C		
TH.PROT.		
ErP: Effes=36,7% (A,static)		N=44,1