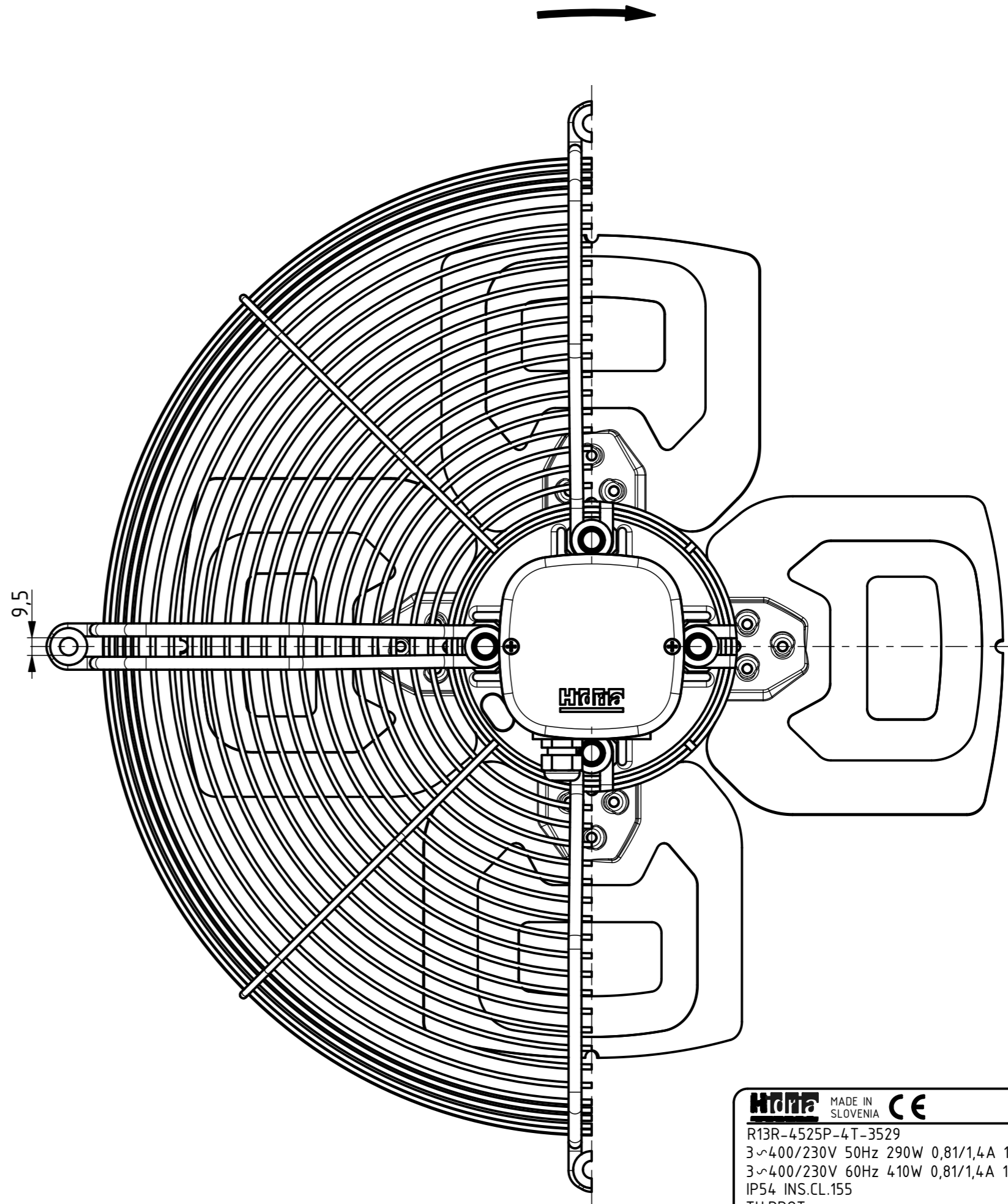
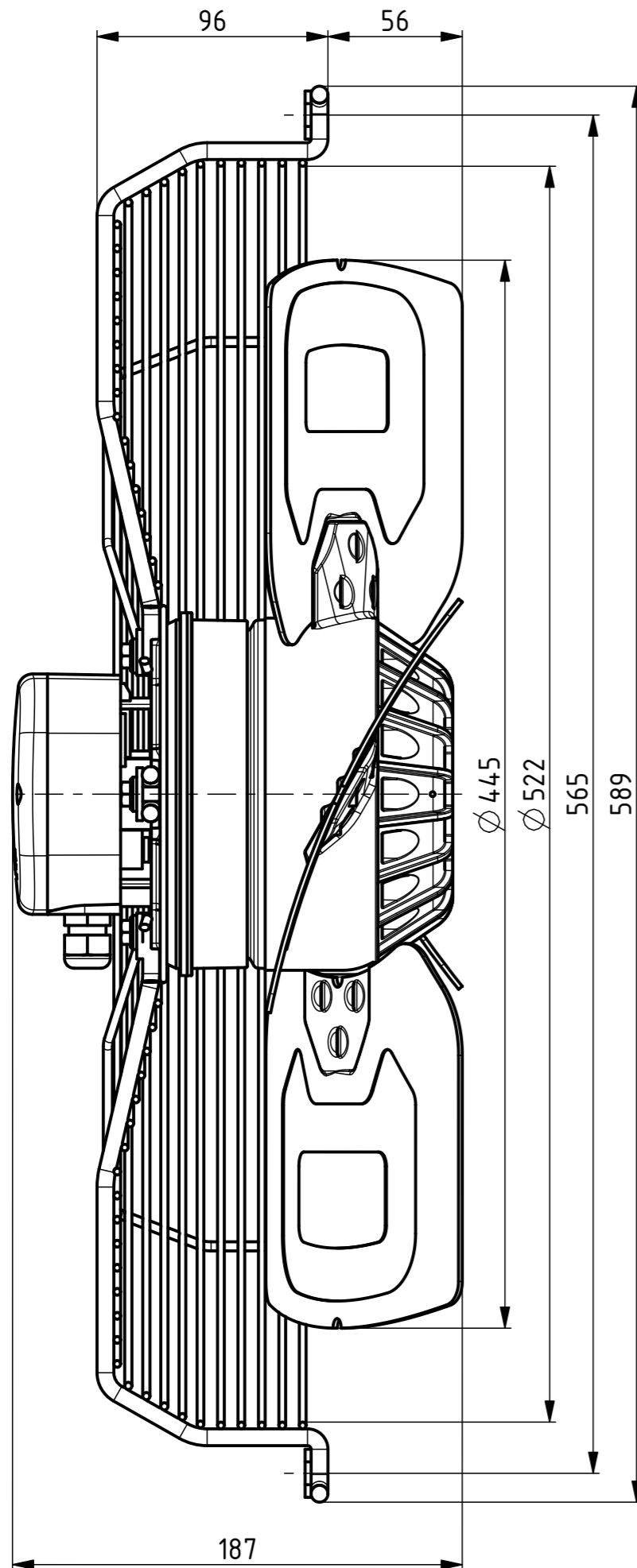


AIRFLOW
DIRECTION



Weight: 8,4kg

Hidra MADE IN SLOVENIA	CE	DATE
R13R-4525P-4T-3529		0313-4-0059
3~400/230V 50Hz 290W 0,81/1,4A 1350RPM MAX.AMB.40° C		
3~400/230V 60Hz 410W 0,81/1,4A 1530RPM MAX.AMB.65° C		
IP54 INS.CL.155		
TH.PROT.		
ErP: Effes=33,0% (A,static)	N=42,3	