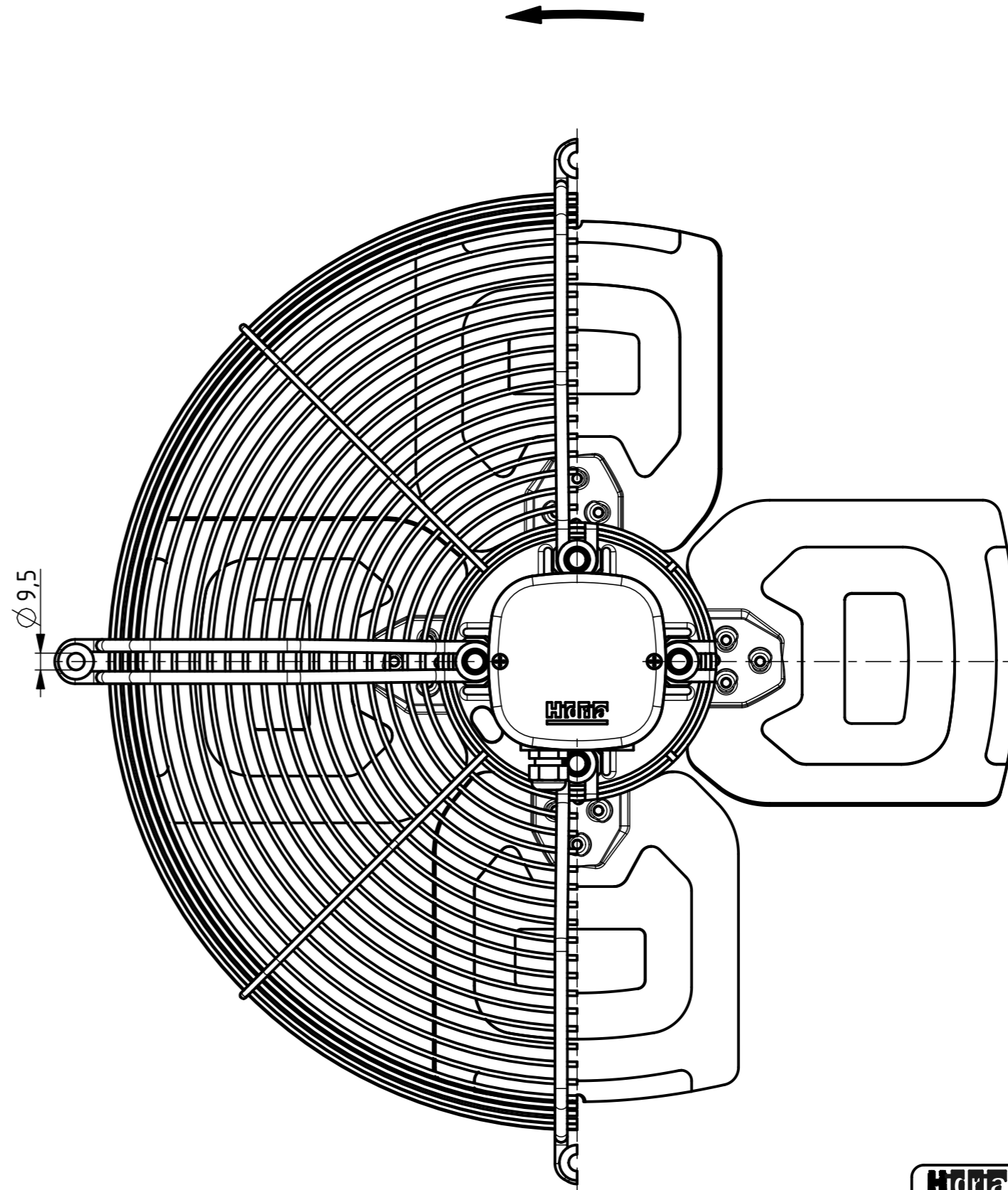
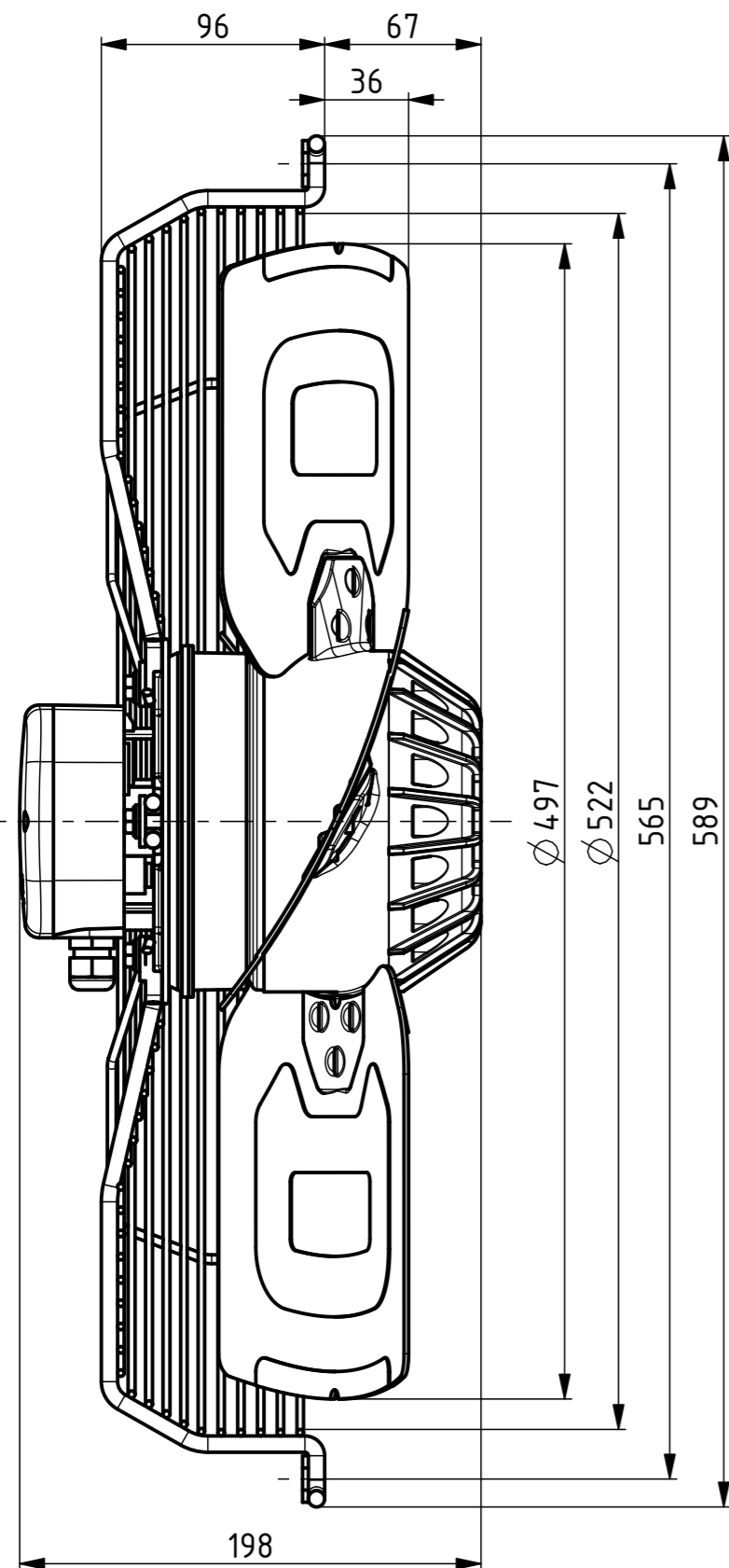


AIRFLOW  
DIRECTION



Weight: 10,4kg

<b>HIMA</b> MADE IN SLOVENIA	<b>CE</b>	DATE
R13R-5025A-4M-5009		0313-4-0073
1~230V 50Hz 440W 2,0A 1340RPM		
MAX.AMB.70° C IP54 INS.CL.155 C=8µF/450V		
TH.PROT.		
ErP: Effes=32,6% (A,static) N=40,9		