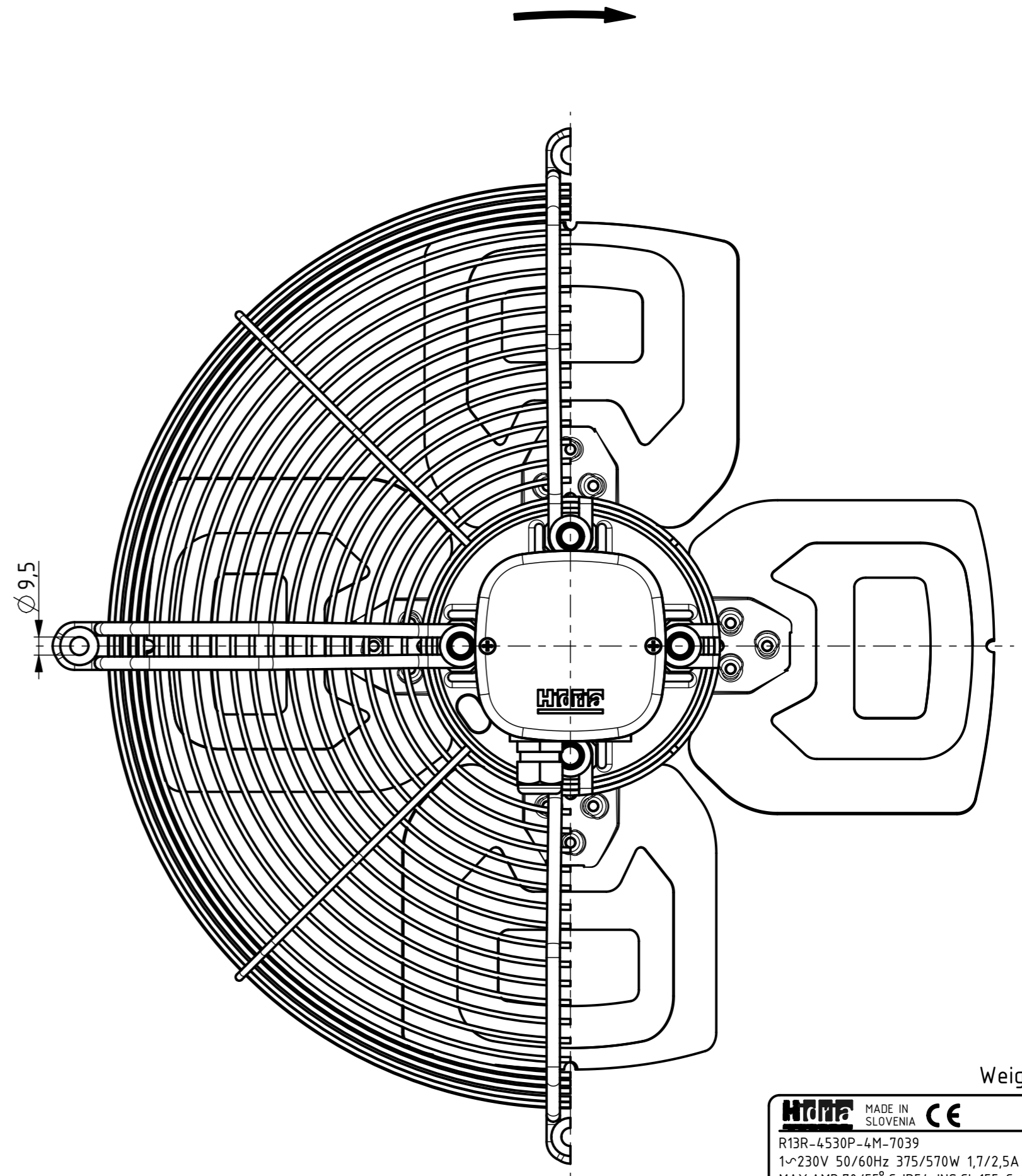
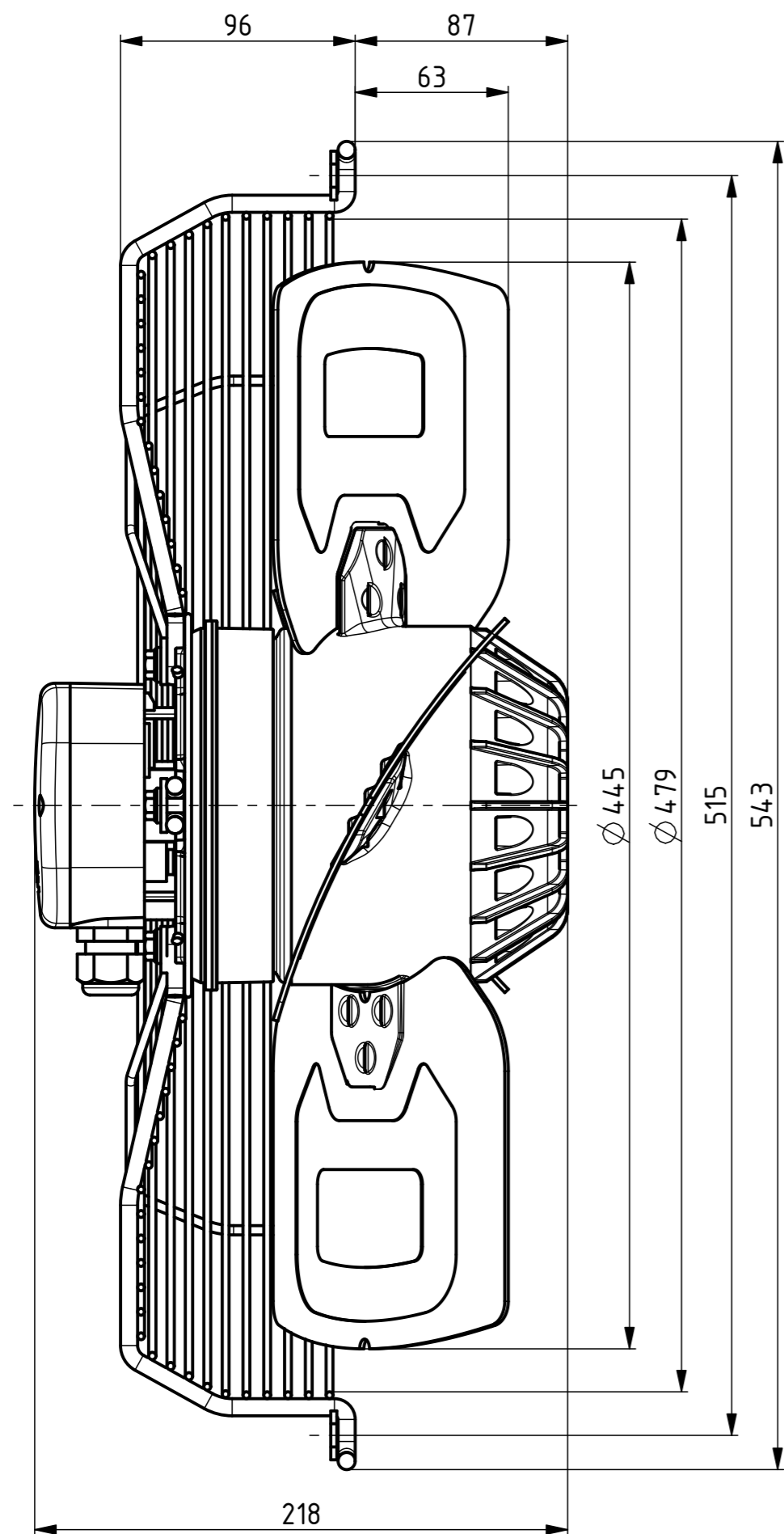


AIRFLOW
DIRECTION



Weight: 12,1kg

HDM	MADE IN SLOVENIA	CE	DATE
R13R-4530P-4M-7039			0313-4-0166
1~230V 50/60Hz 375/570W 1,7/2,5A 1390/1570RPM			
MAX.AMB.70/55° C IP54 INS.CL.155 C=10µF/450V			
TH.PROT.			
ErP: Effes=32,5% (A,static) N=41,2			