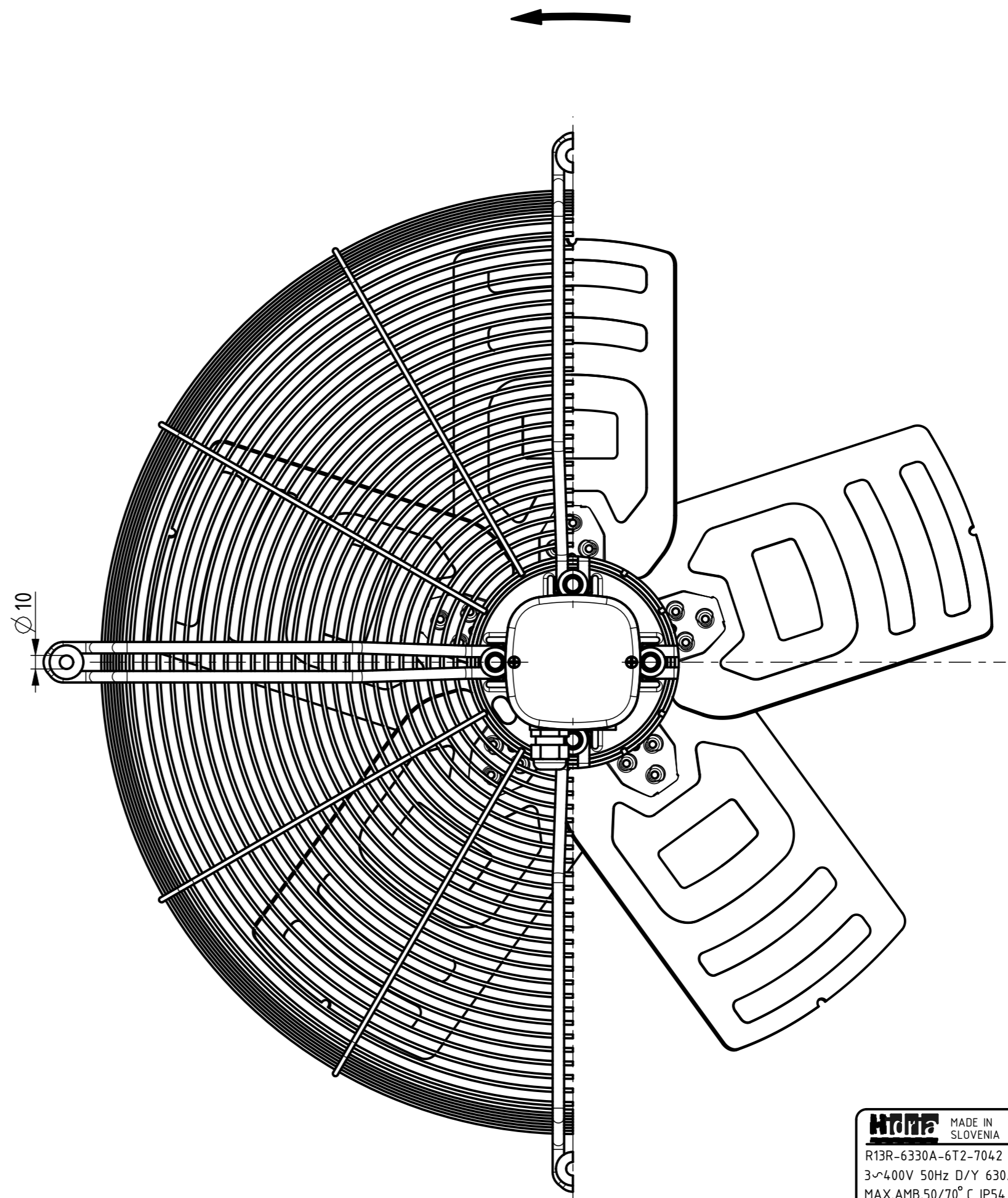
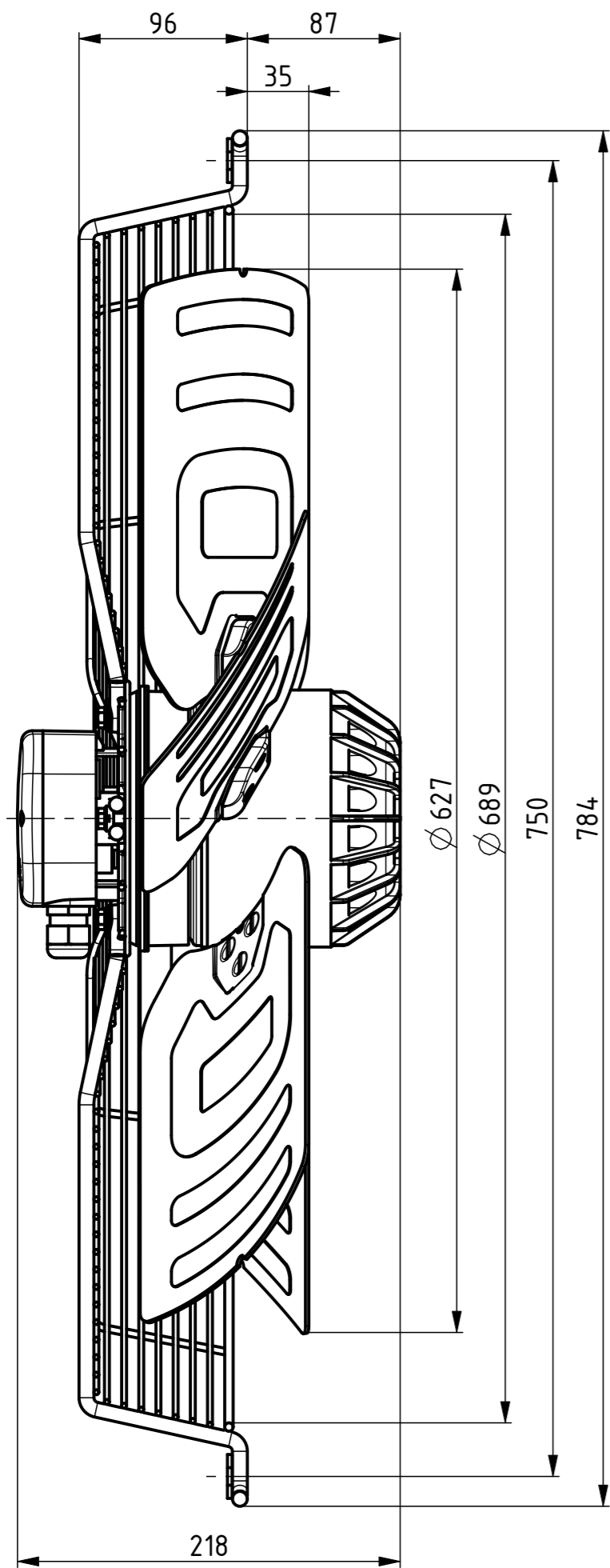


AIRFLOW
DIRECTION



Weight: 14,6kg

HTM	MADE IN SLOVENIA	CE	DATE
R13R-6330A-6T2-7042		0313-4-0490	
3~400V 50Hz D/Y 630/400W 1,34/0,69A 880/690RPM			
MAX.AMB.50/70° C IP54 INS.CL.155			
TH.PROT.			
ErP: Effes=32,2% (A,static) N=40,1			