

AIRFLOW
DIRECTION

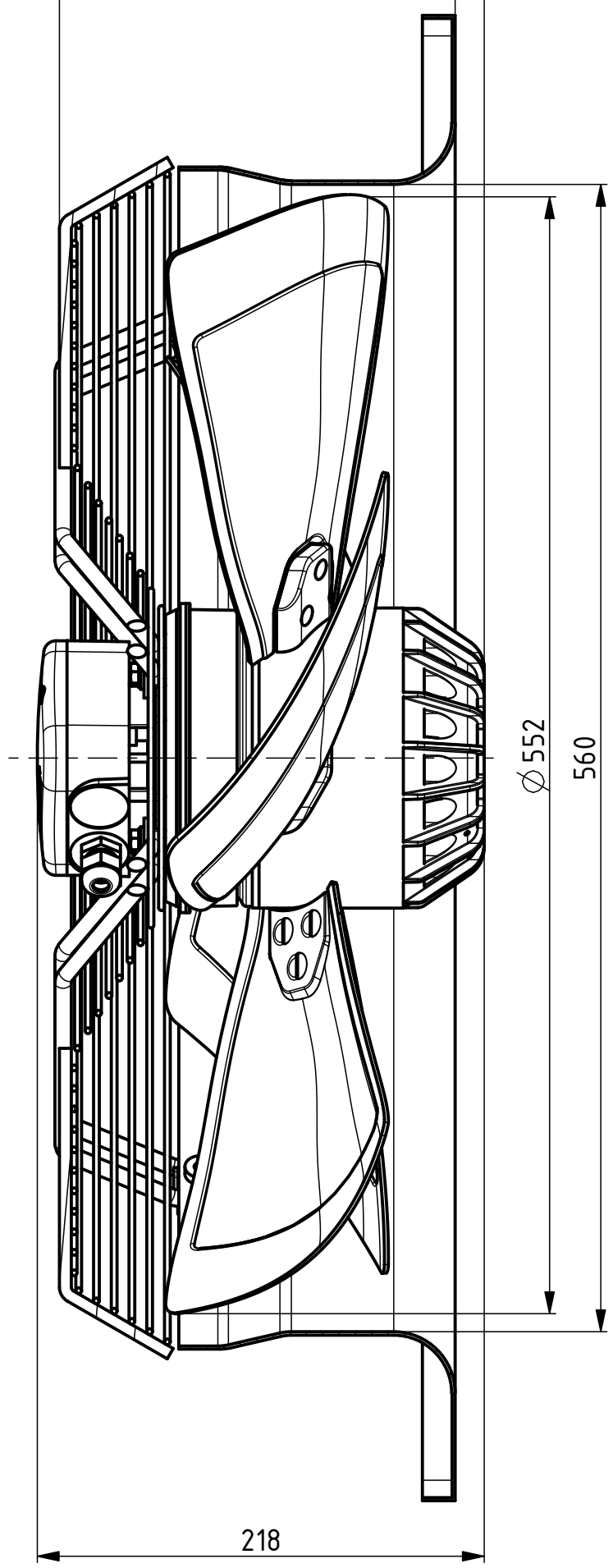
193

14

Ø 552

560

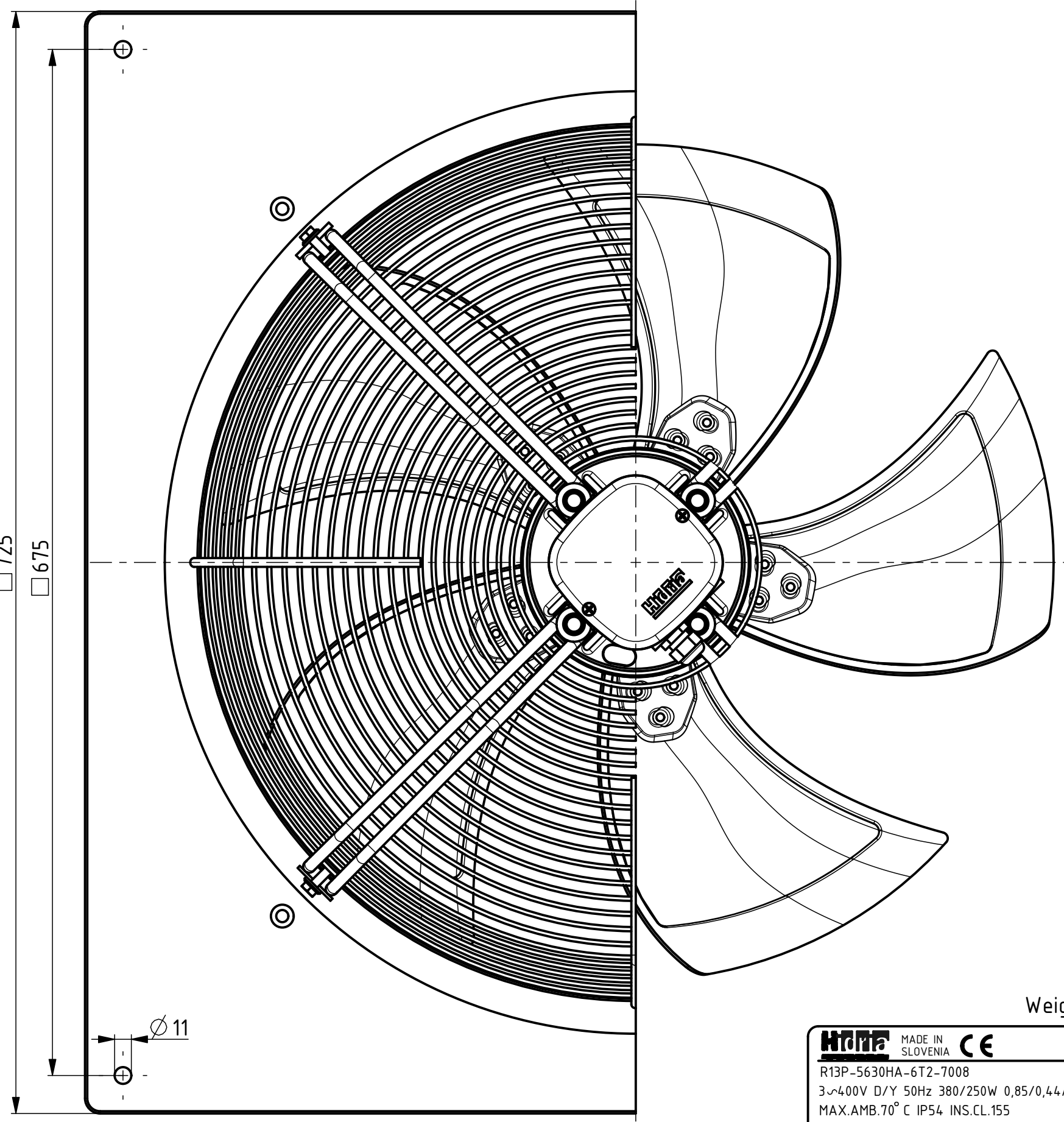
218



□ 725

□ 675

Ø 11



Weight: 21kg

WPM MADE IN SLOVENIA **CE** DATE
R13P-5630HA-6T2-7008 0313-4-1015
3~400V D/Y 50Hz 380/250W 0,85/0,44A 910/760RPM
MAX.AMB.70° C IP54 INS.CL.155
TH.PROT.

ErP: Effes=31,4% (A,static) N=40,2