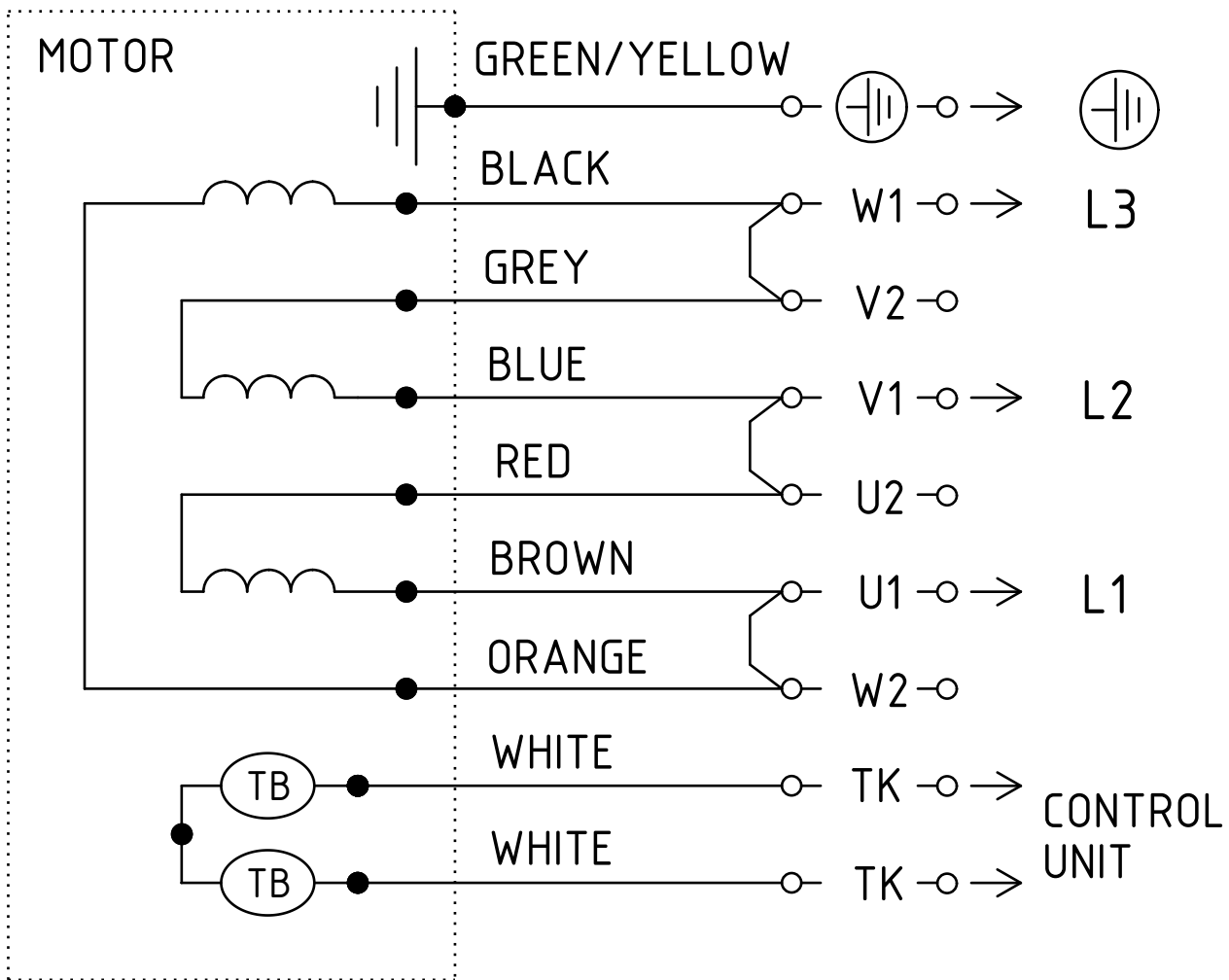


Connecting diagram 0301-1-0033



CONNECTION OPTIONS:

L1	L2	L3	PE	Protection device	Join together	Winding connection
U1	V1	W1	PE	TK , TK	[U1,W2]; [V1,U2]; [W1,V2]	DELTA (Δ)- high speed (STANDARD)
U1	V1	W1	PE	TK , TK	[U2,V2,W2]	STAR (Y) - low speed

- * CHANGING OF ROTATION DIRECTION BY INTERCHANGING OF 2 PHASES!
- * WITHOUT BRIDGES WHEN USING SPEED-CHANGE OVER SWITCH!
- * TEMPERATURE MONITORS (TK) BUILT IN TO THE WINDING SERVE AS MOTOR CUT-OUT SWITCH AND MUST BE CONNECTED TO THE OUTSIDE CONTROL UNIT!