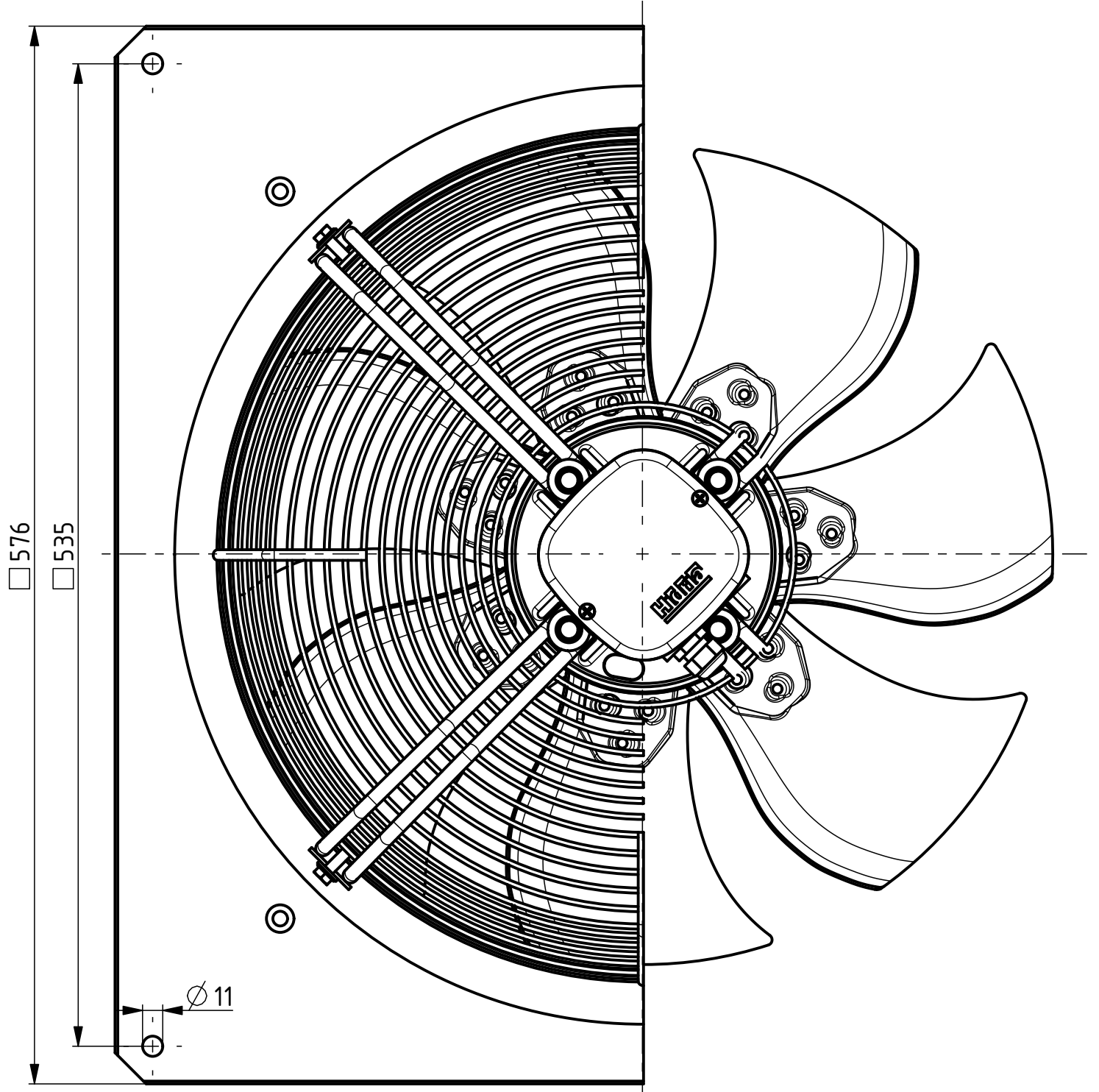
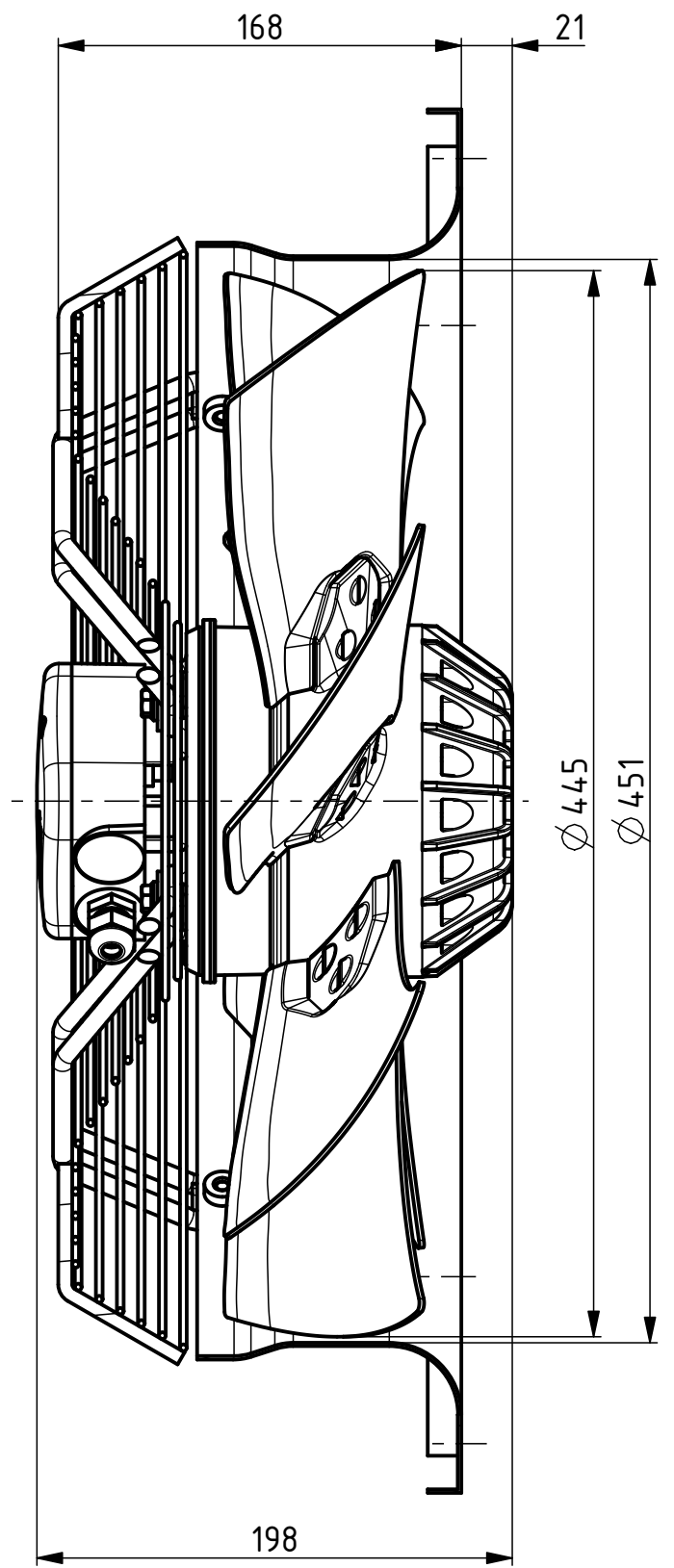


AIRFLOW
DIRECTION



Weight: 16,5kg

| | | | |
|--|------------------|-------------|------|
| HTM | MADE IN SLOVENIA | CE | DATE |
| R13P-4530HA-6T2-5065 | | 0313-4-1071 | |
| 3~400V D/Y 50Hz 170/105W 0,70/0,23A 940/840RPM | | | |
| MAX.AMB.70° C IP54 INS.CL.155 | | | |
| TH.PROT. | | | |