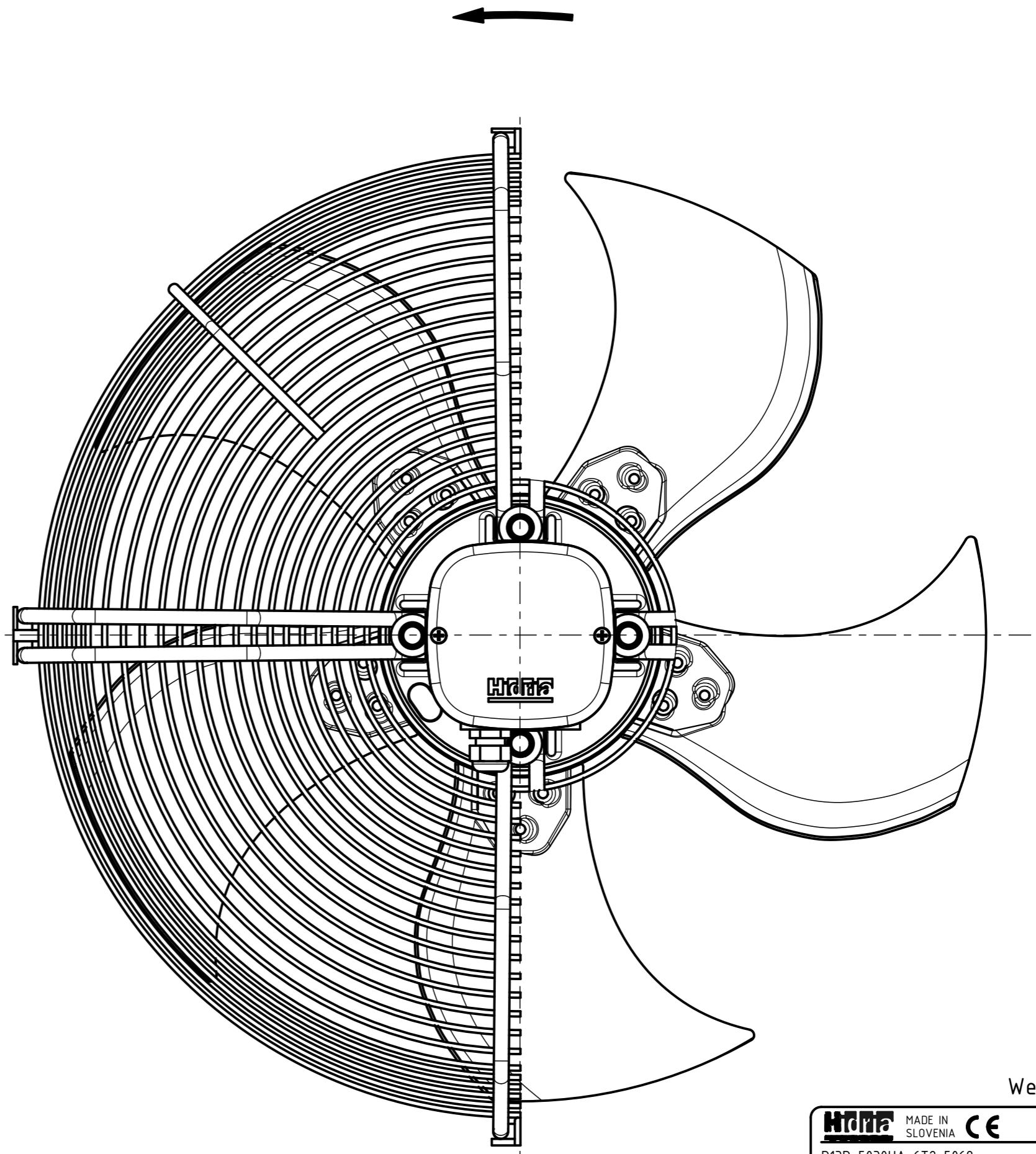
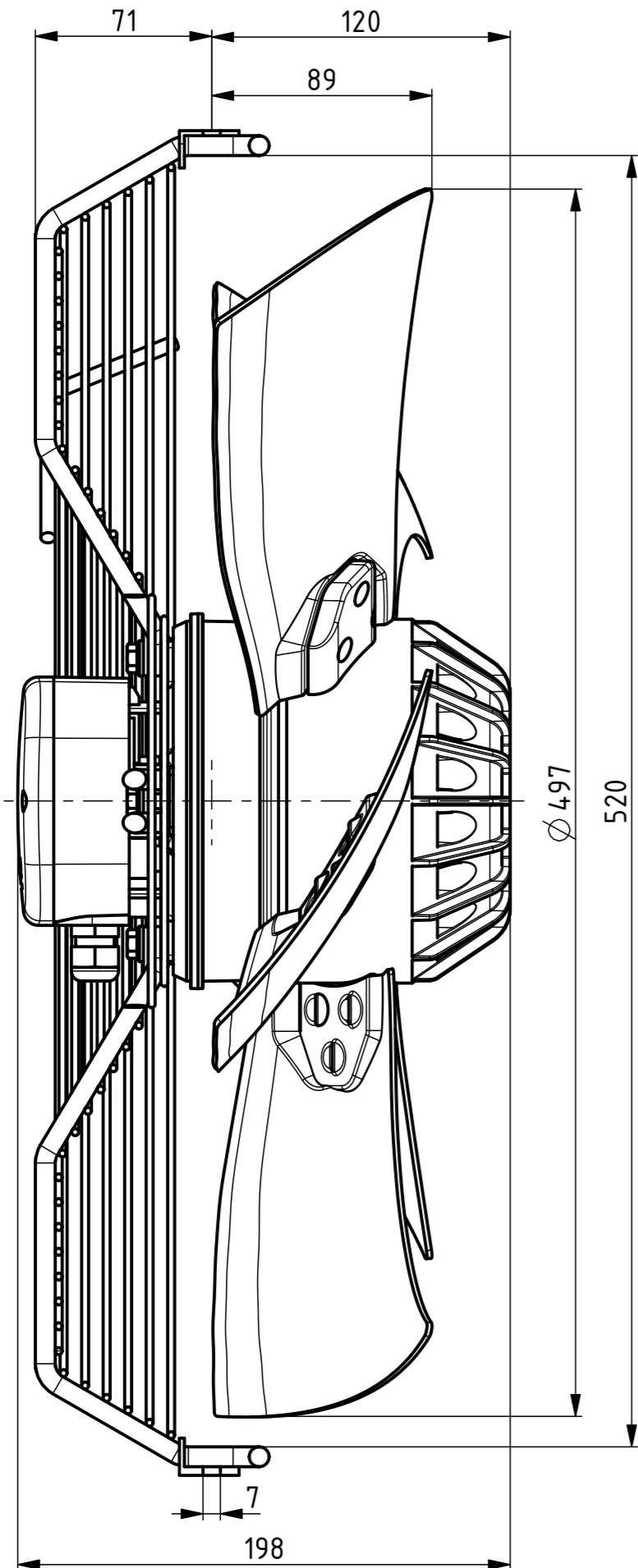


AIRFLOW
DIRECTION



Weight: 10,3kg

Hidra MADE IN SLOVENIA	CE	DATE
R13R-5030HA-6T2-5068		0313-4-1089
3~400V D/Y 50Hz 210/150W 0,60/0,27A 960/880RPM		
MAX.AMB.60° C IP54 INS.CL.155		
TH.PROT.		