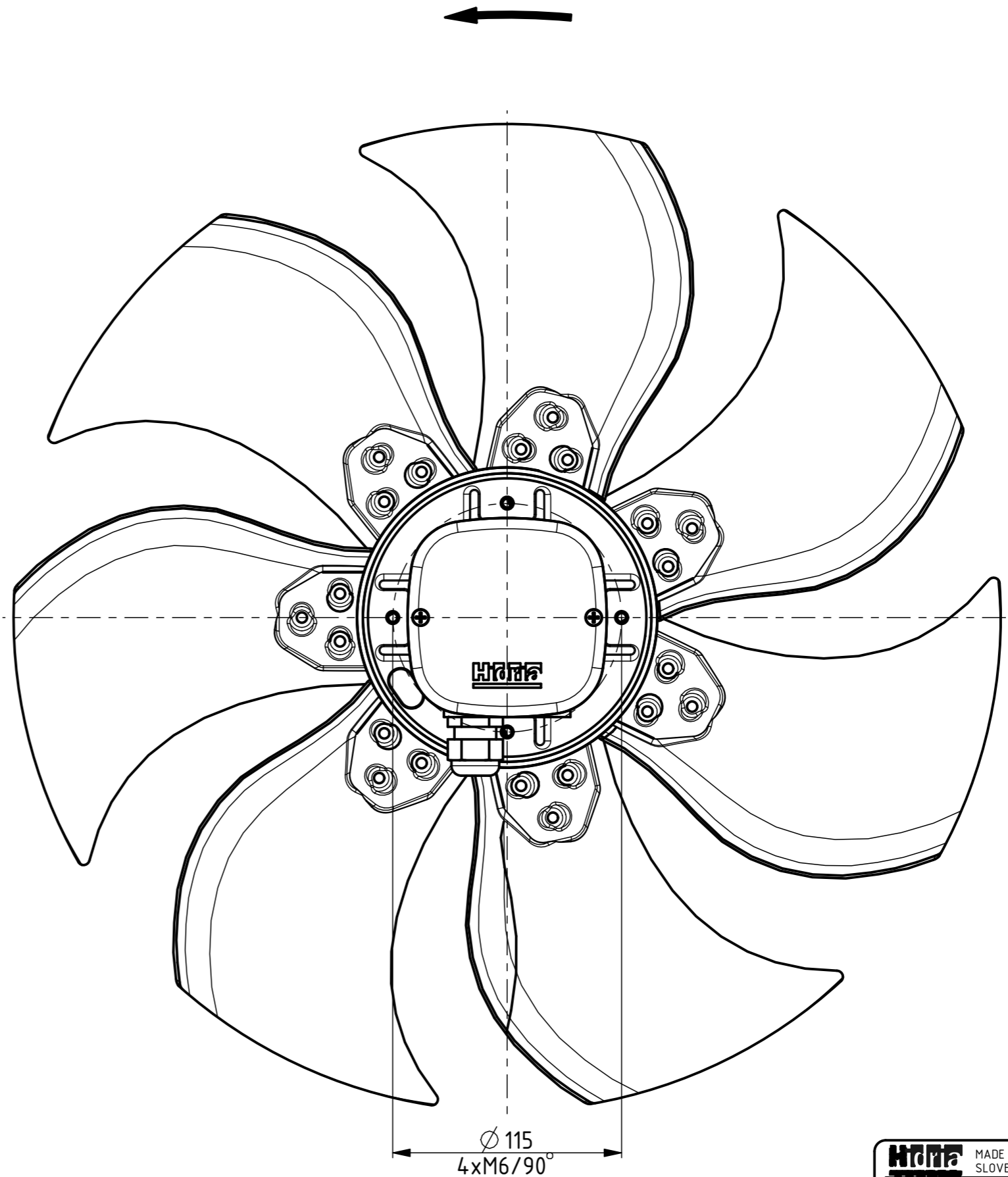
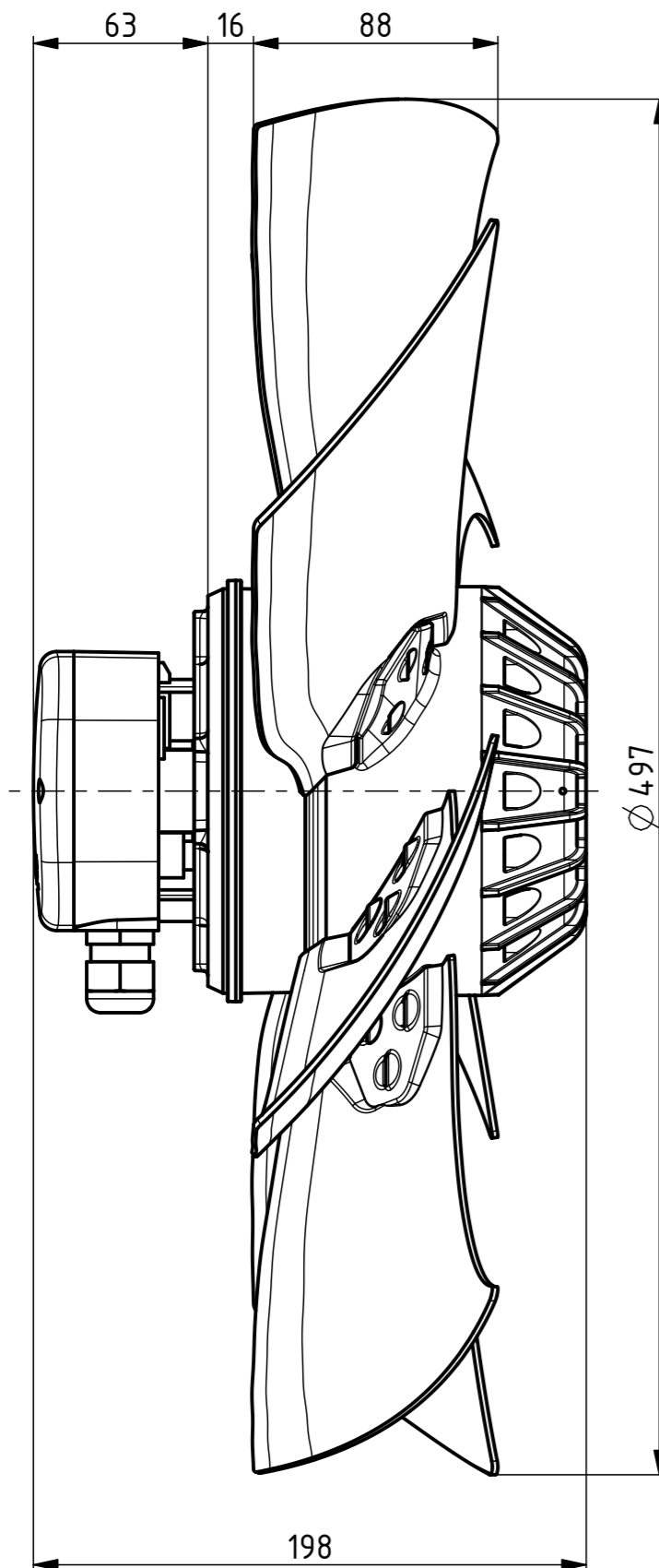


AIRFLOW
DIRECTION



Weight: 8kg

HOMER MADE IN SLOVENIA CE	DATE
R13E-5030HA-6M-5071	0313-4-1101
1~230V 50/60Hz 280/370W 1,20/1,50A 890/1000RPM	
MAX.AMB.55° C IP54 INS.CL.155 C=8µF/450V	
TH.PROT.	