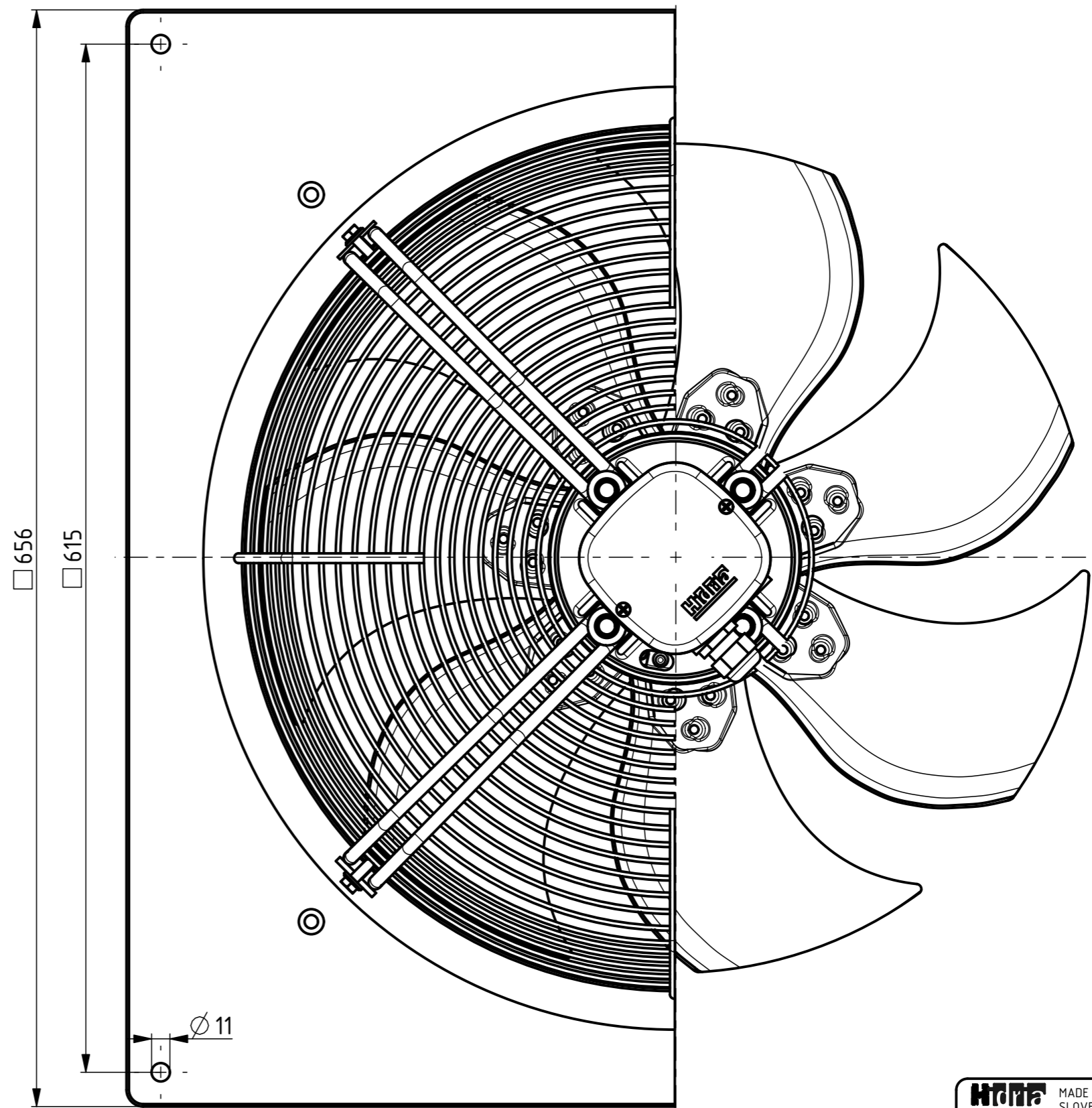
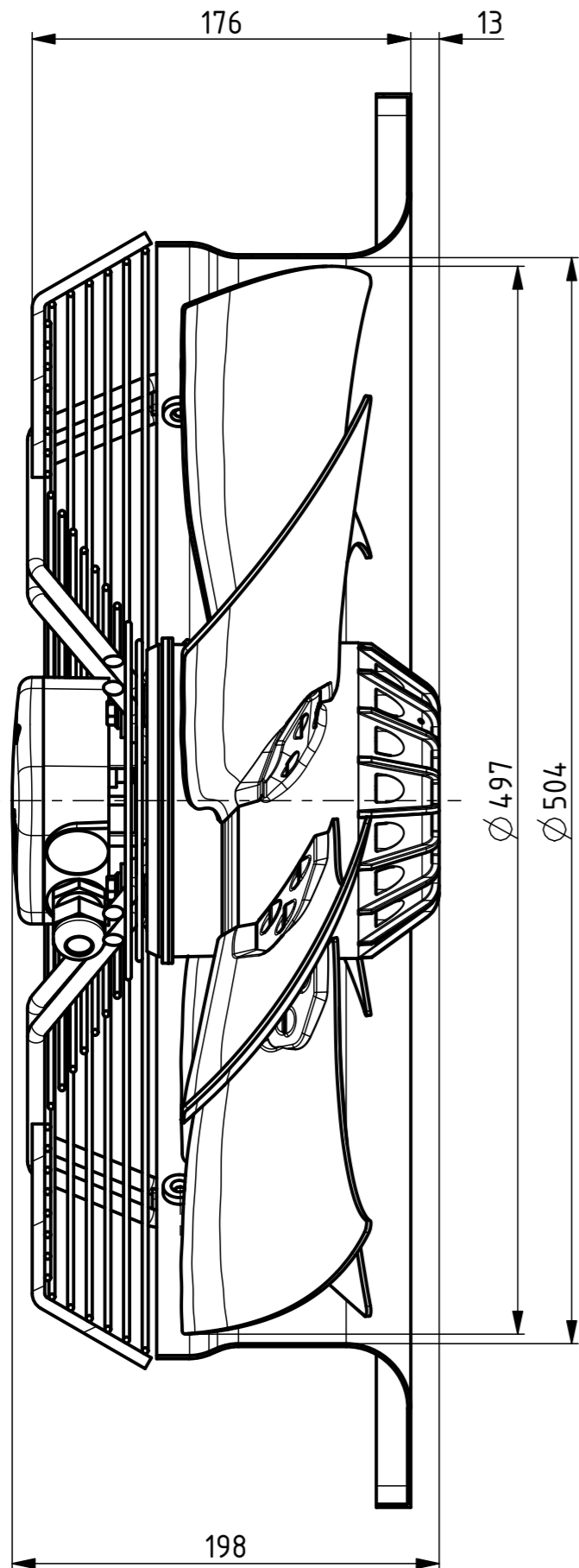


AIRFLOW  
DIRECTION



Weight: 16kg

**HOMER** MADE IN SLOVENIA **CE**

DATE

R13P-5030HA-6M-5071 0313-4-1102  
1~230V 50/60Hz 280/370W 1,20/1,50A 890/1000RPM  
MAX.AMB.55° C IP54 INS.CL.155 C=8µF/450V  
TH.PROT.