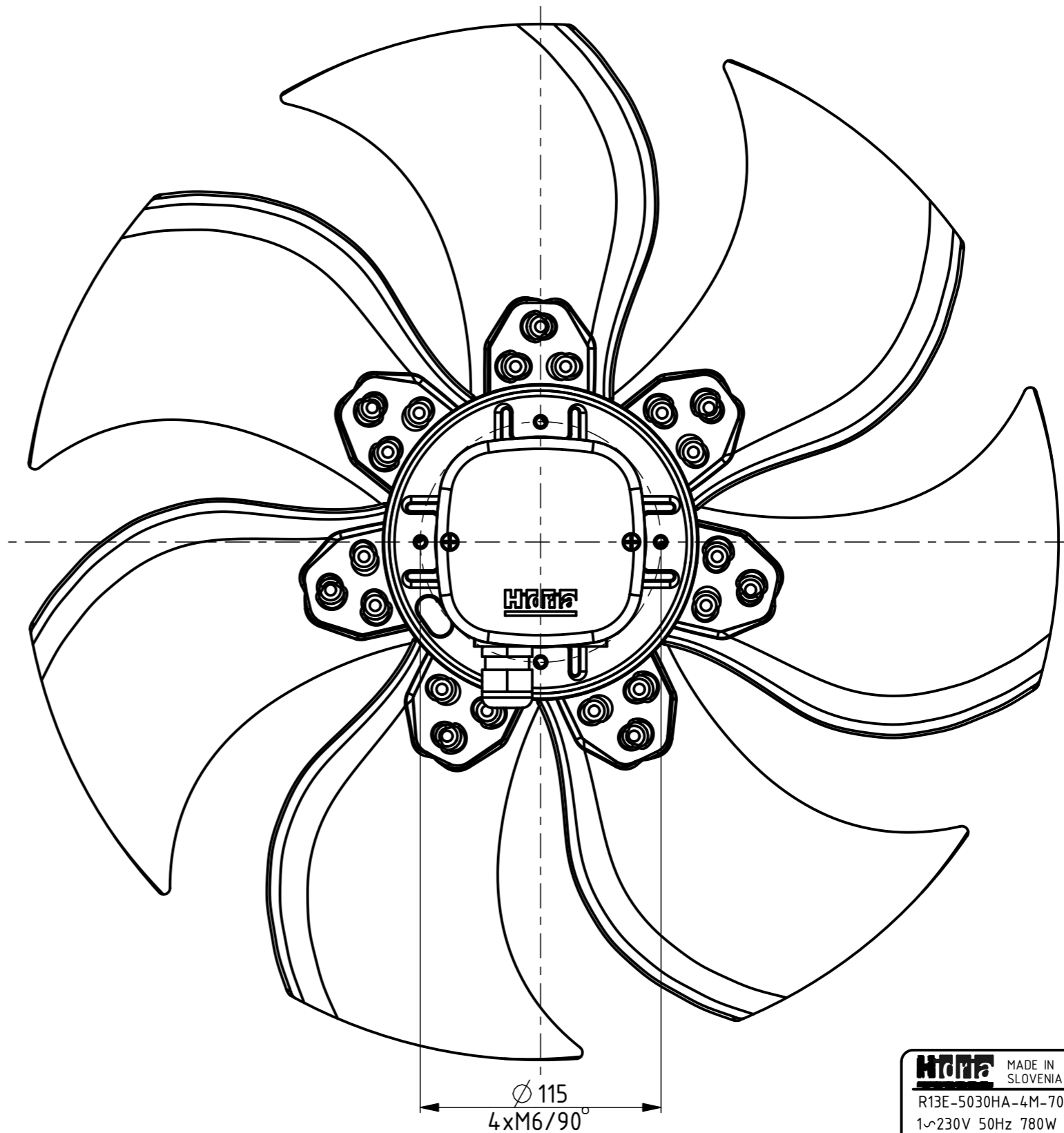
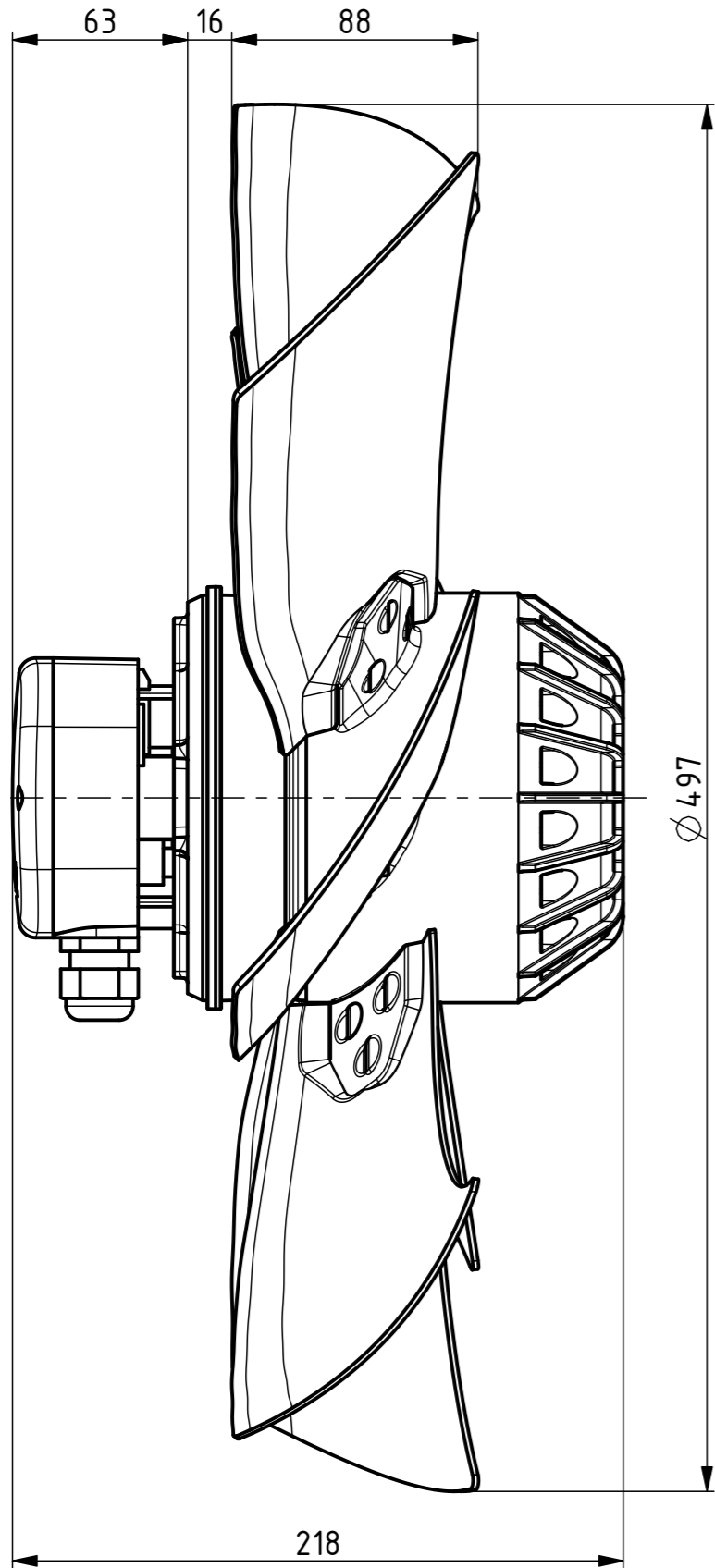


AIRFLOW  
DIRECTION



Weight: 10,7kg

|   |           |             |
|---|-----------|-------------|
| <b>Hilti</b> MADE IN SLOVENIA             | <b>CE</b> | DATE        |
| R13E-5030HA-4M-7075                       |           | 0313-4-1121 |
| 1~230V 50Hz 780W 3,5A 1370RPM             |           |             |
| MAX.AMB.60° C IP54 INS.CL.155 C=16µF/450V |           |             |
| TH.PROT.                                  |           |             |
| ErP: Effes=29,4% (A,static) N=36,4        |           |             |