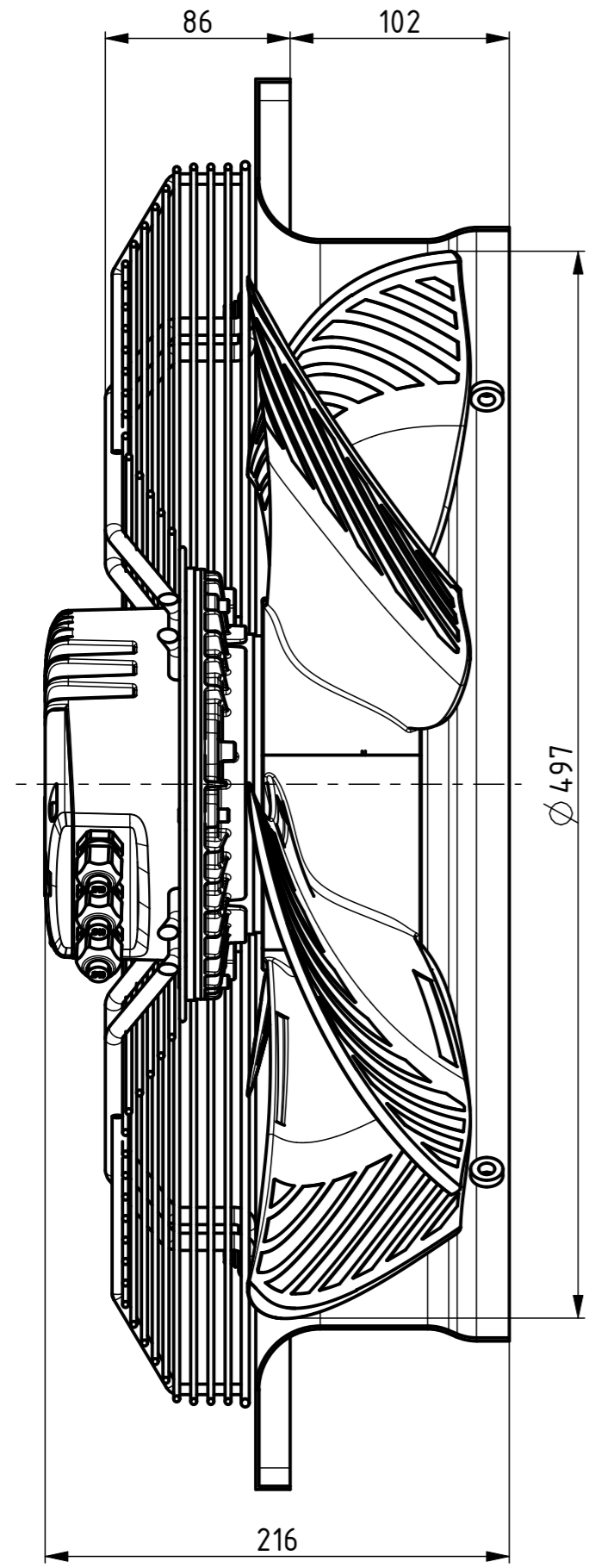
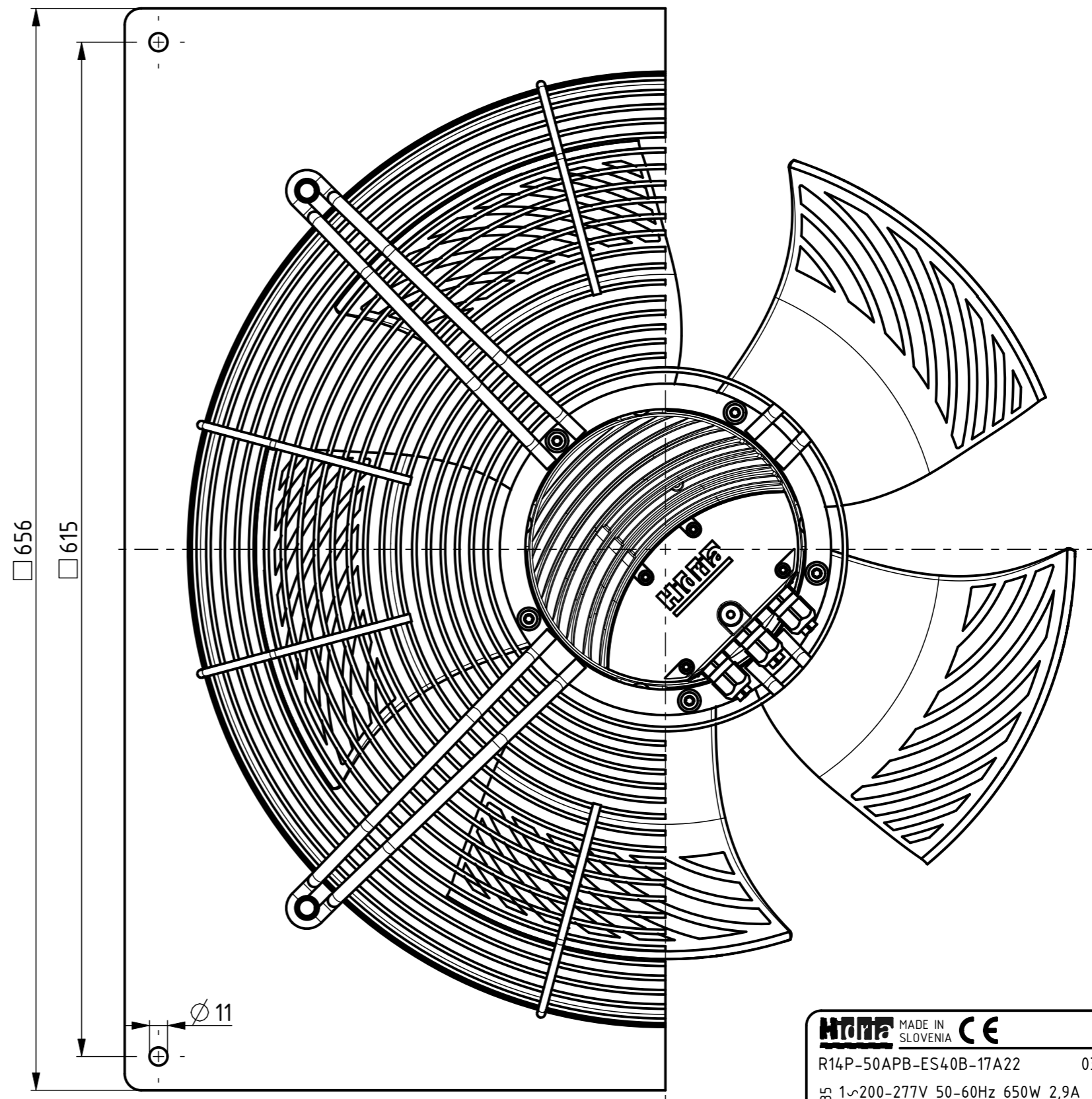


AIRFLOW
DIRECTION →



←



Weight: 15,7kg

WIMA MADE IN SLOVENIA CE	DATE
	R14P-50APB-ES40B-17A22 0314-4-0042
EN60335 1~200-277V 50-60Hz 650W 2,9A	QR code
1420RPM MAX.AMB.60° C IP54	
INS.CL.130 TH.PROT.	
ErP: Effes=46,5% (A,static) N=53,8 VSD integrated	