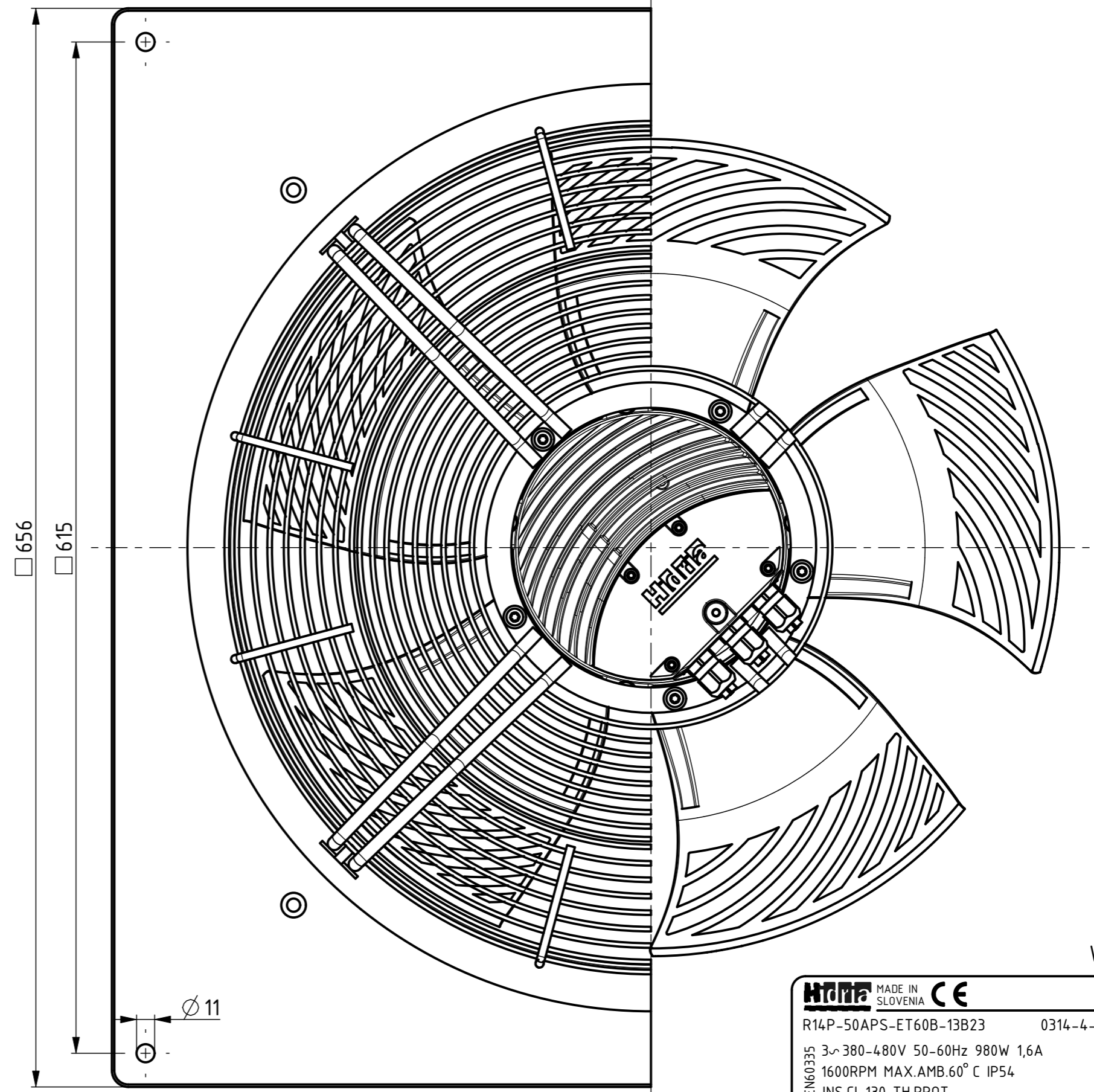
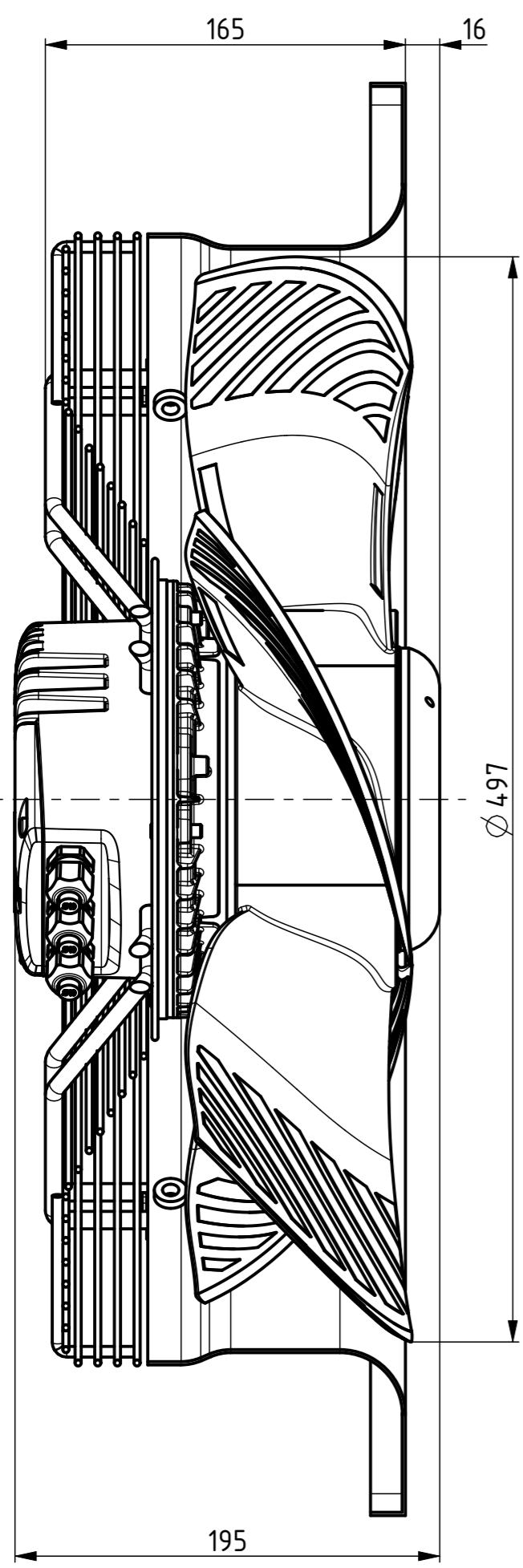


AIRFLOW
DIRECTION



Weight: 17,3kg

honda MADE IN SLOVENIA	CE	DATE
R14P-50APS-ET60B-13B23	0314-4-0044	QR code
3~ 380-480V 50-60Hz 980W 1,6A		
EN60335 1600RPM MAX.AMB.60° C IP54		
EN INS.CL.130 TH.PROT.		
ErP: Effes=46,9% (A,static) N=53,3 VSD integrated		