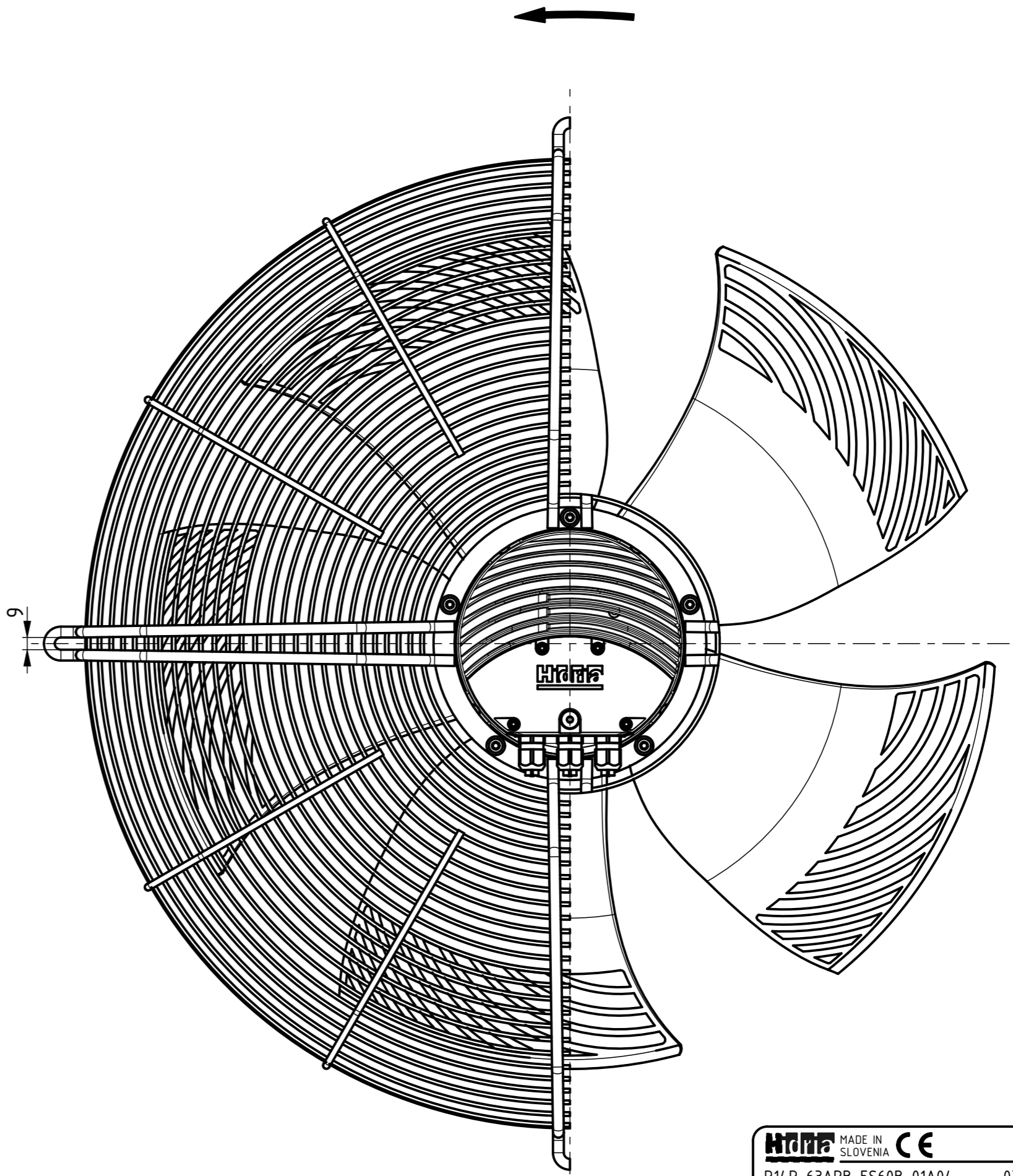
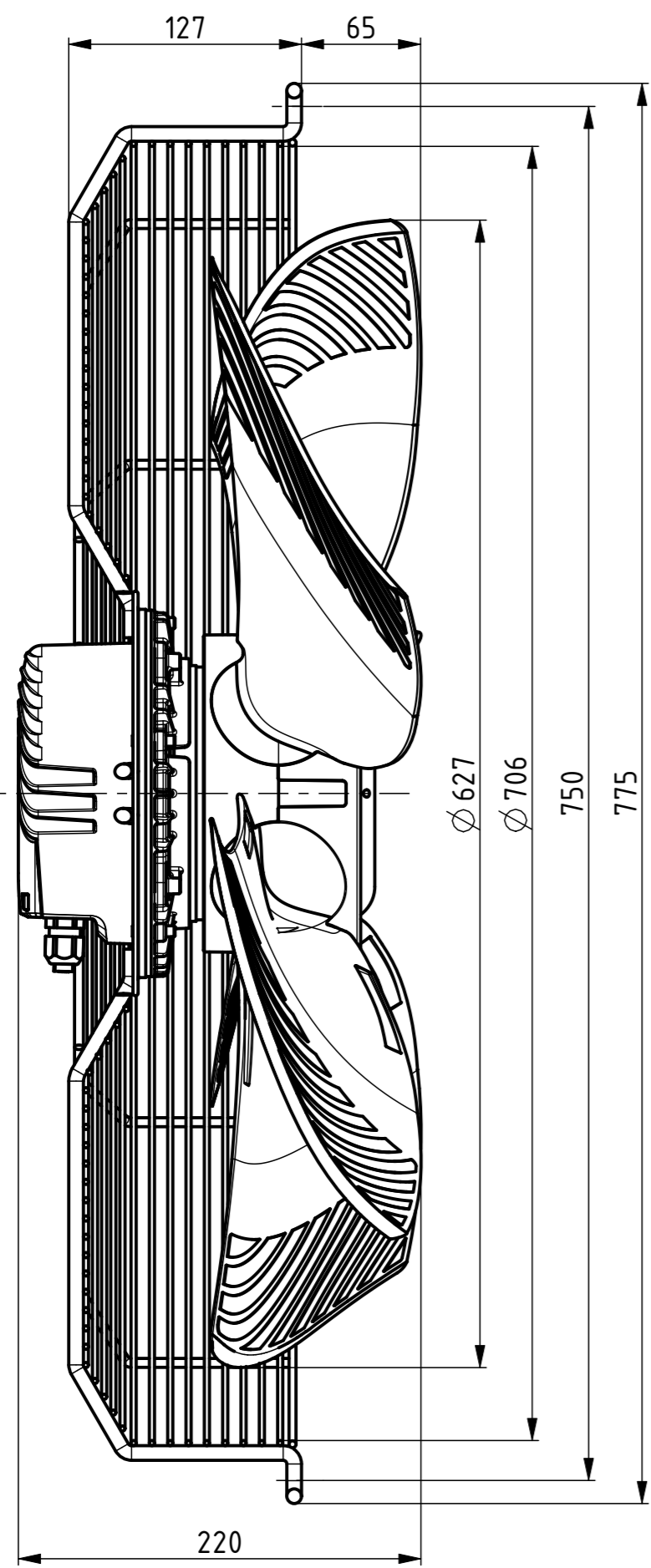


AIRFLOW
DIRECTION →



Weight: 14,0kg

HOMM MADE IN SLOVENIA CE	DATE
R14R-63APB-ES60B-01A04 0314-4-0049	
EN60335 1~200-277V 50-60Hz 620W 2,75A	QR code
980RPM MAX.AMB.60° C IP54	
INS.CL.130 TH.PROT.	
ErP: Effes=48% (A,static) N=55,6 VSD integrated	