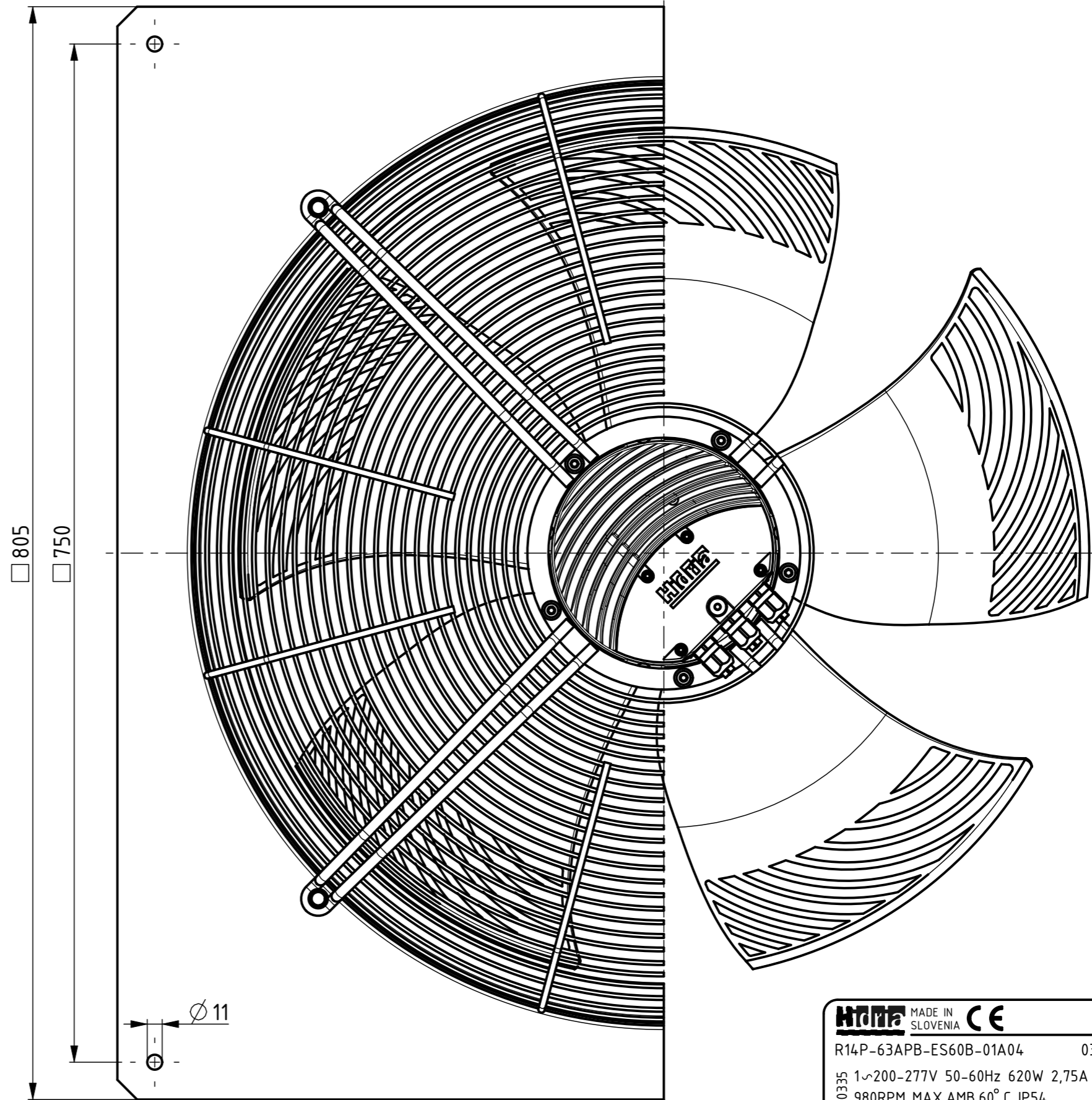
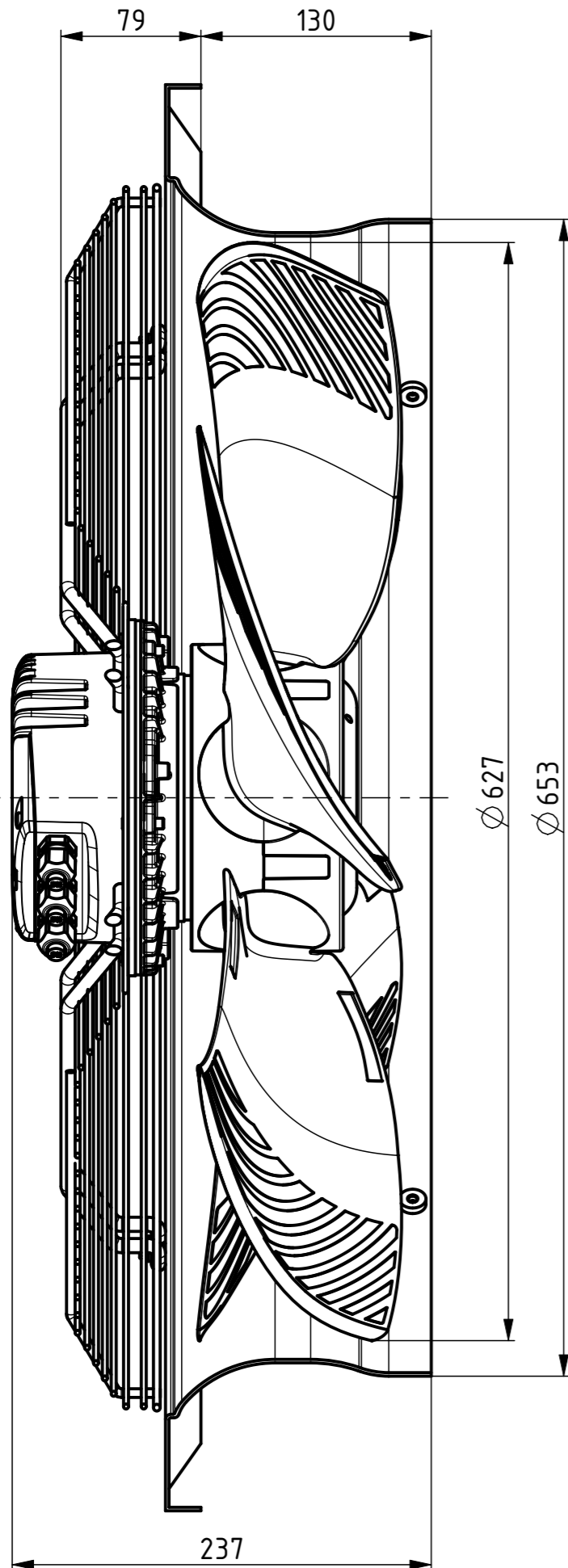


AIRFLOW
DIRECTION



Weight: 23,1kg

HTMP MADE IN SLOVENIA	CE	DATE
R14P-63APB-ES60B-01A04	0314-4-0050	QR code
EN60335 1~200-277V 50-60Hz 620W 2,75A		
980RPM MAX.AMB.60° C IP54		
INS.CL.130 TH.PROT.		
ErP: Effes=48% (A,static) N=55,6 VSD integrated		