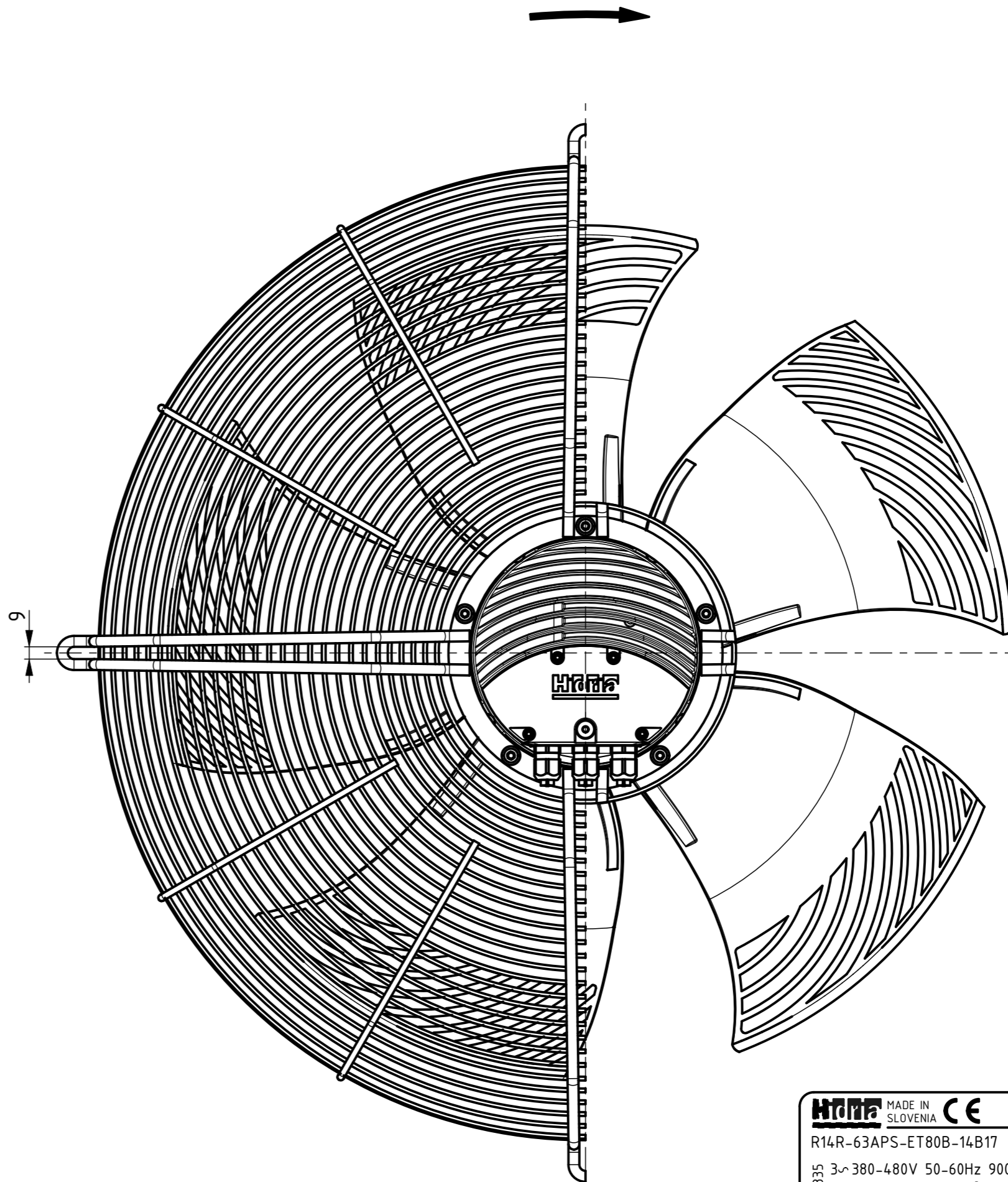
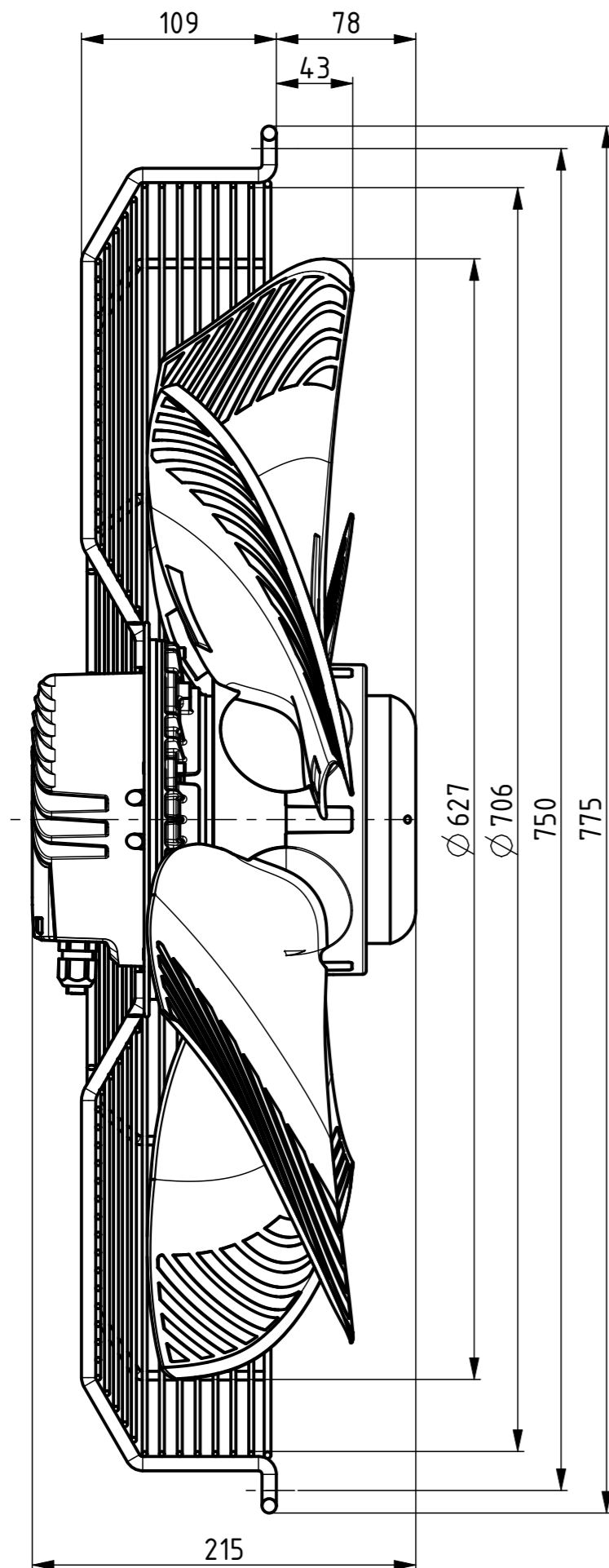


AIRFLOW
DIRECTION



Weight: 15,6kg

HITITE MADE IN SLOVENIA CE	DATE
R14R-63APS-ET80B-14B17 0314-4-0051	
EN60335 3~380-480V 50-60Hz 900W 1,75A	QR code
1100RPM MAX.AMB.60° C IP54	
INS.CL.130 TH.PROT.	
ErP: Effes=49,2% (A,static) N=55,7 VSD integrated	