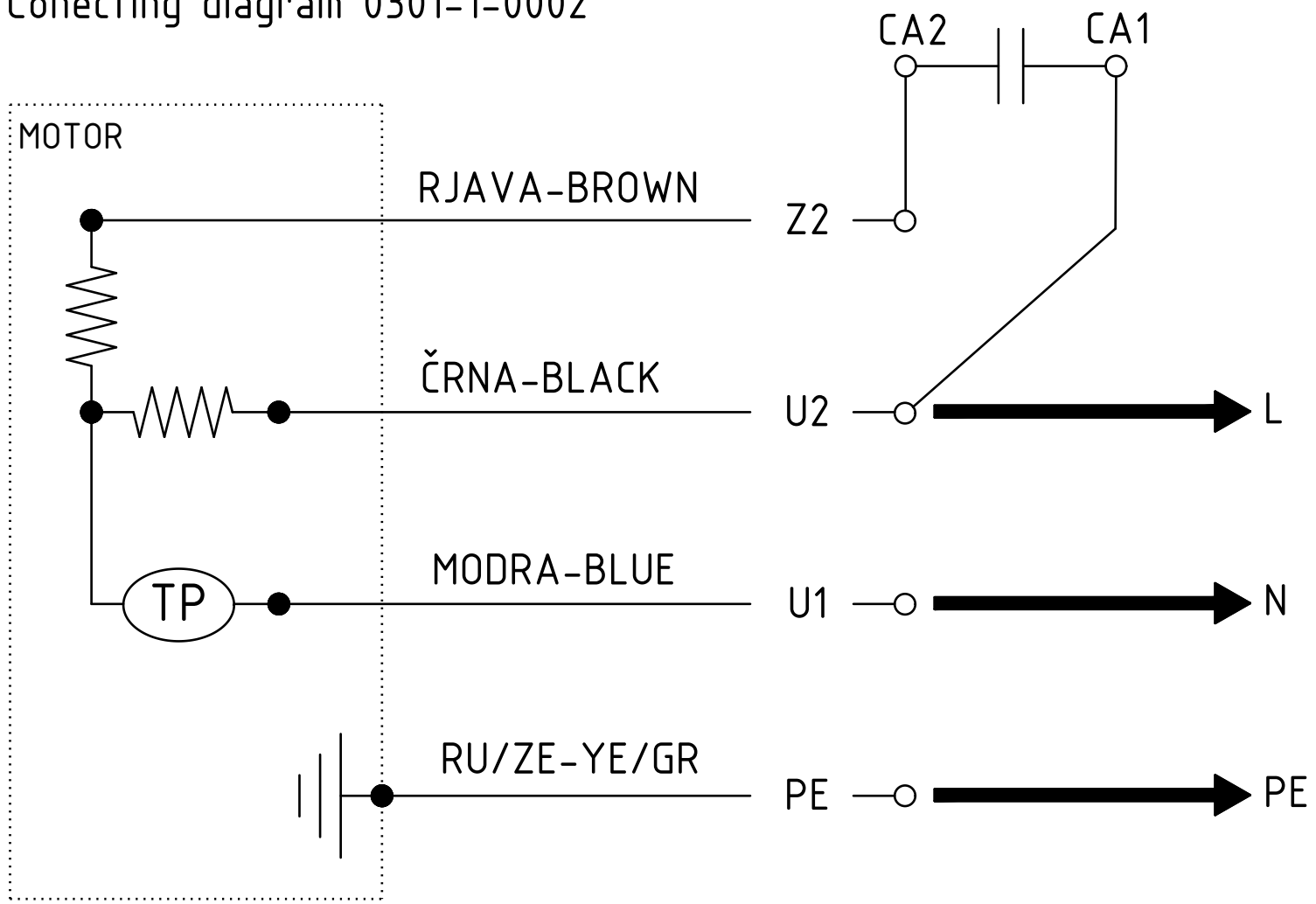


Conecting diagram 0301-1-0002



Rotation	L	N	PE	Join together	Protection device	Winding conection
CCW from cable side	U2 (black)	U1 (blue)	PE (ye/gr)	[CA1,U2] [CA2,Z2]	Internally connected	Permanent split phase capacitor motor