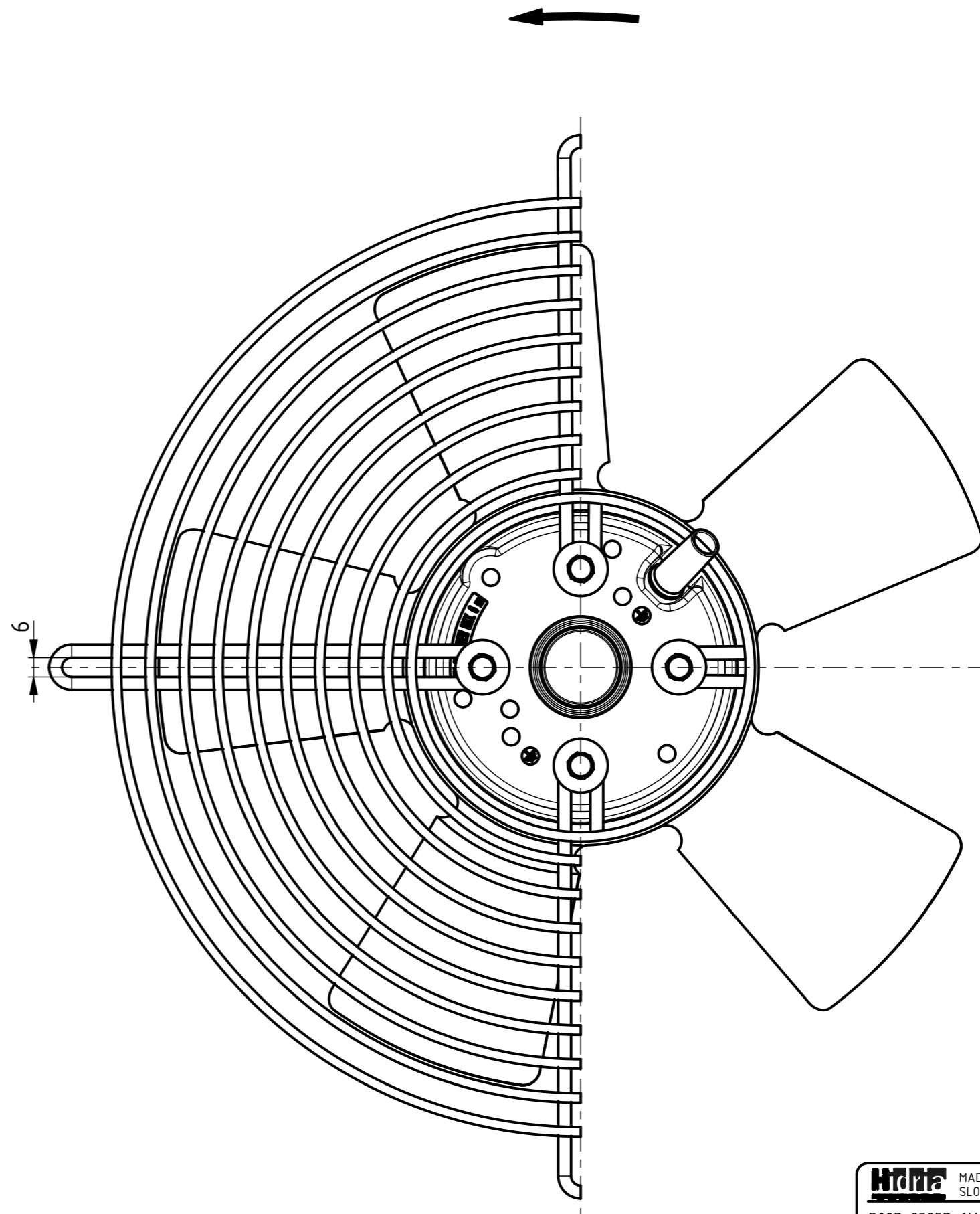
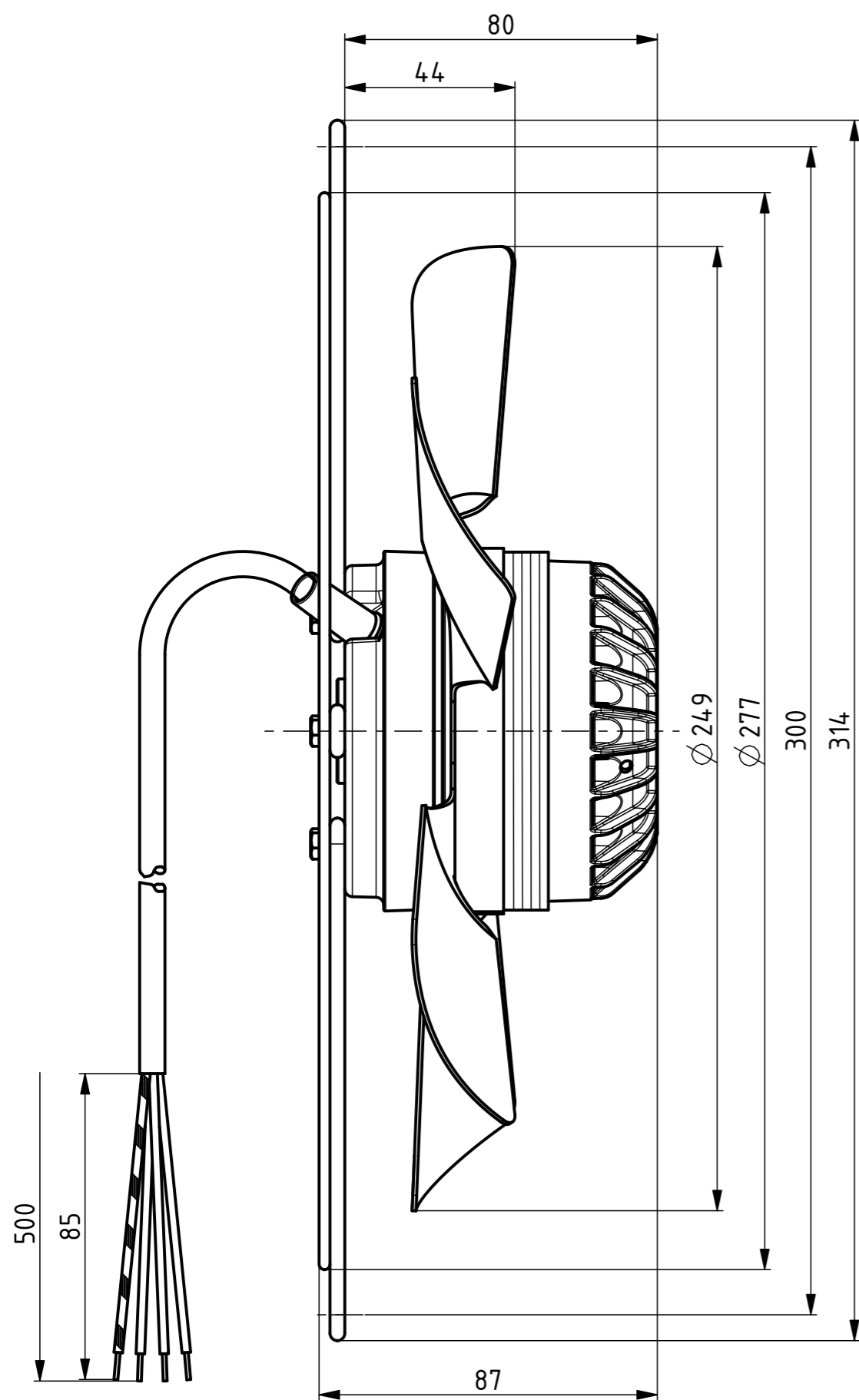


AIRFLOW
DIRECTION →



Weight: 2,1kg

WIMA	MADE IN SLOVENIA	CE	DATE
R09R-2525P-6M-2515			0309-4-0218
1~230V 50/60Hz 36/41W 0,16/0,18A 980/1160RPM			
MAX.AMB.55° C IP44 INS.CL.155 C=1,5pF/450V			
TH.PROT.			