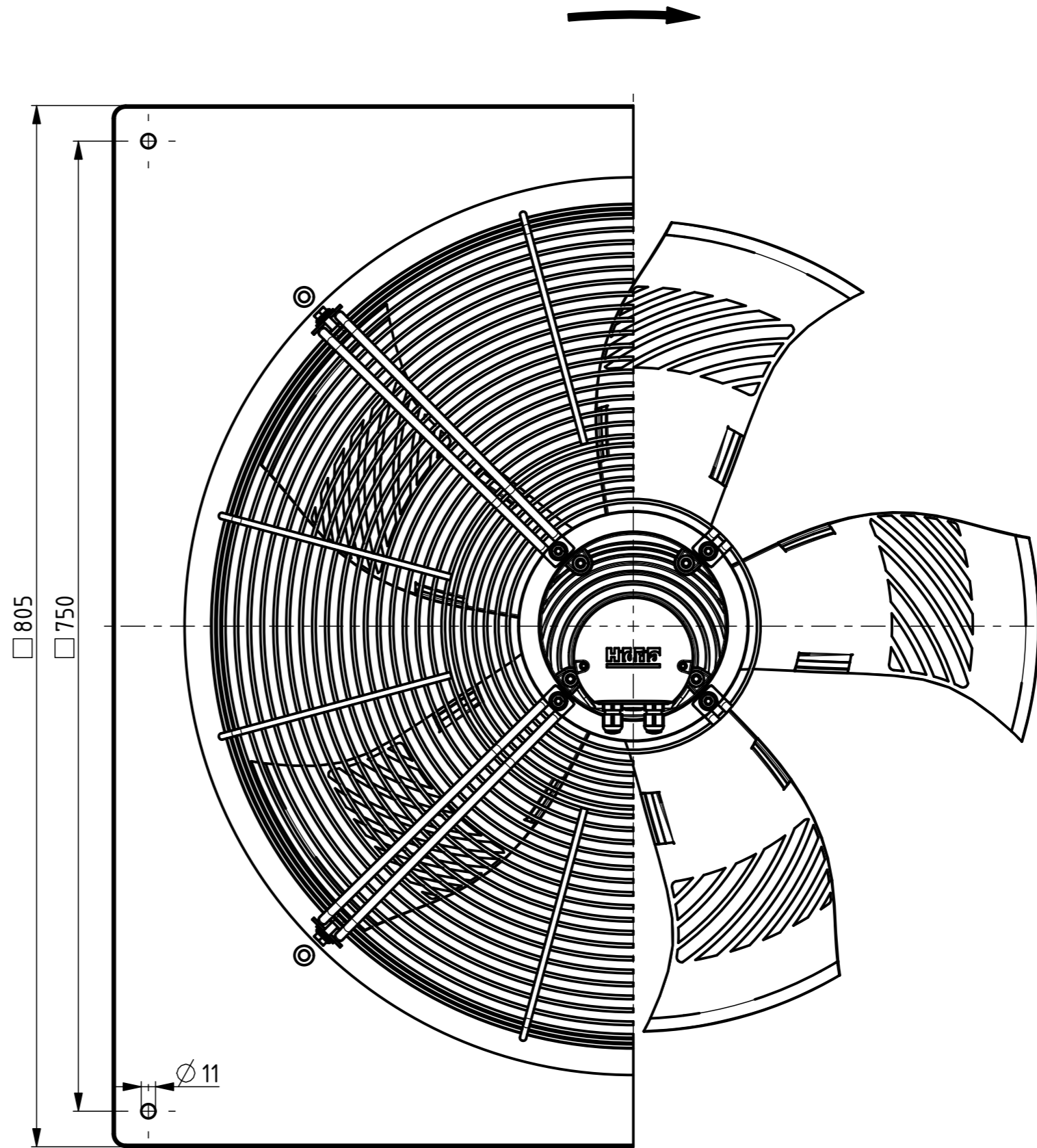
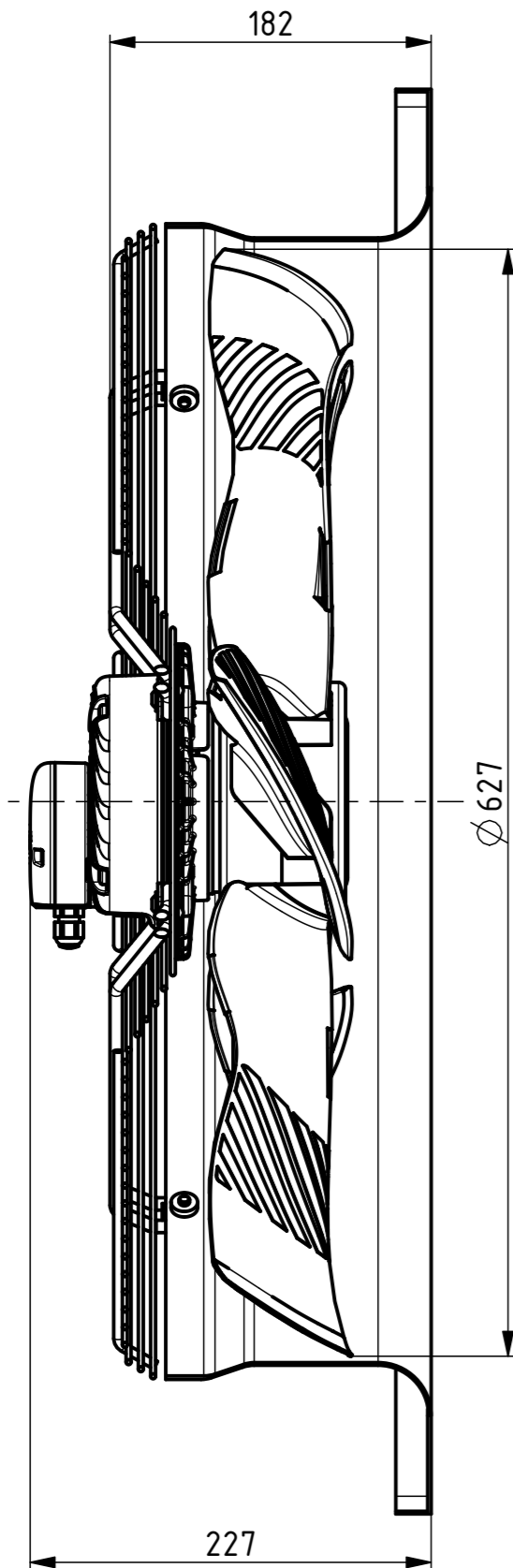


AIRFLOW
DIRECTION



Weight: 15,2kg

HOMER MADE IN SLOVENIA	CE	DATE
R10P-63LPS-ES50B-03A11	0310-4-0010	QR code
EN60335 1~230-240V 50-60Hz 250W 1,65A		
770RPM MAX.AMB.55° C IP54		
INS.CL.130 TH.PROT.		
ErP: Effes=40,4% (A,static) N=50,3 VSD integrated		