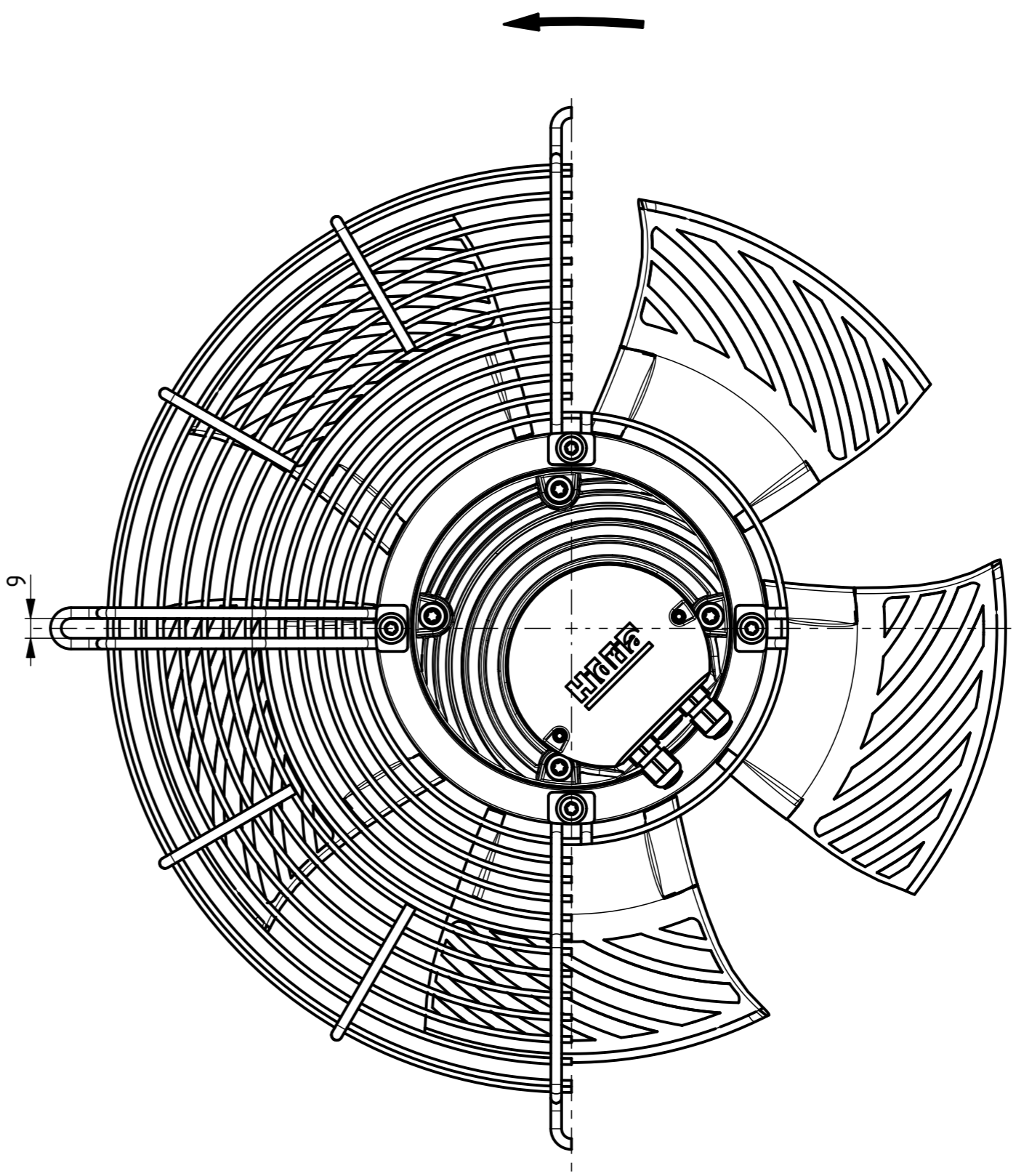
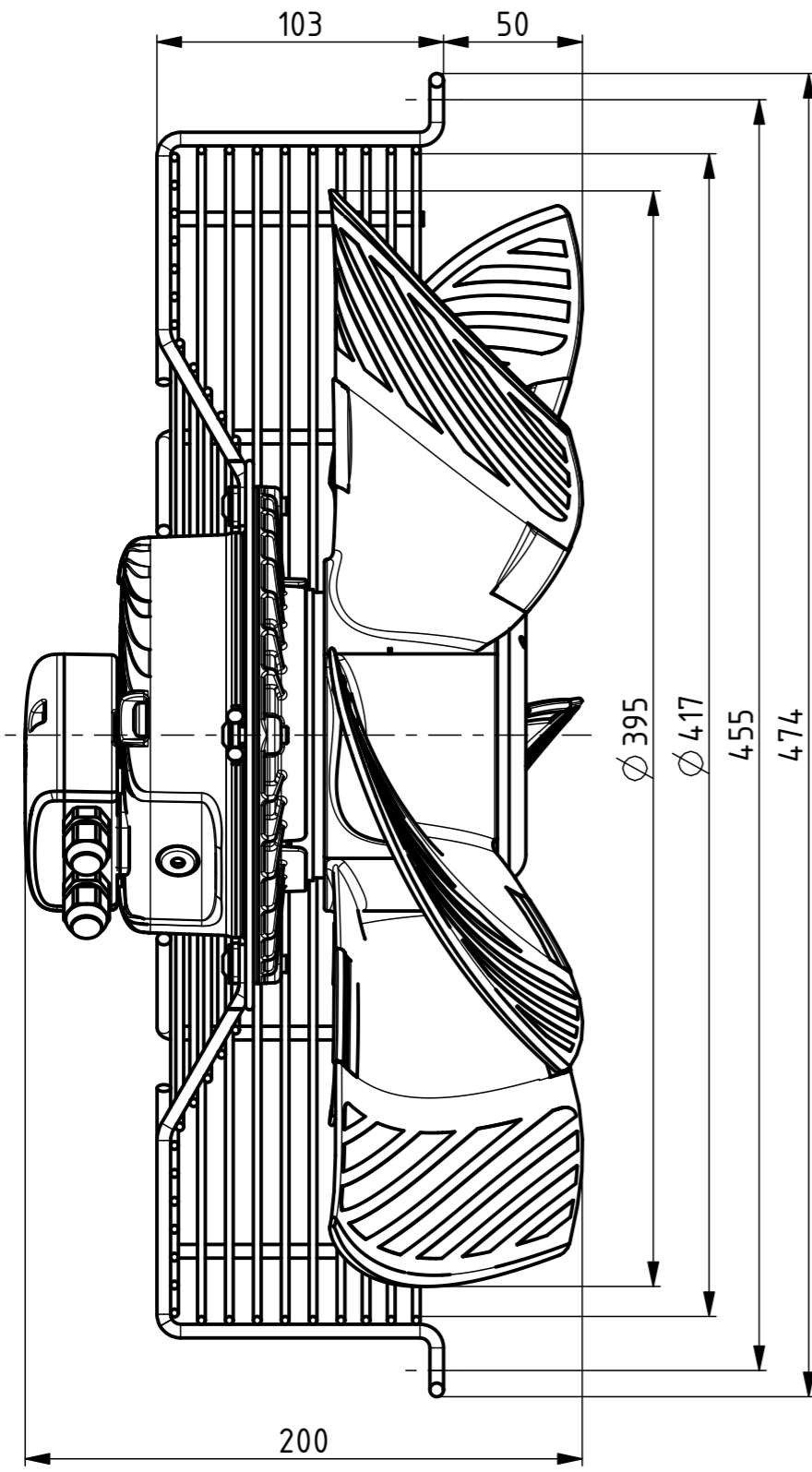


AIRFLOW
DIRECTION →



Weight: 5,0kg

| | |
|---|---------|
| HITACHI MADE IN SLOVENIA CE | DATE |
| R10R-40APB-ES50B-02A01 0310-4-0026 | |
| 5E 1~230-240V 50-60Hz 320W 2,15A | QR code |
| EN60335 1520RPM MAX.AMB.65° C IP54 | |
| INS.CL.130 TH.PROT. | |
| ErP: Effes=43,1% (A,static) N=52,4 VSD integrated | |