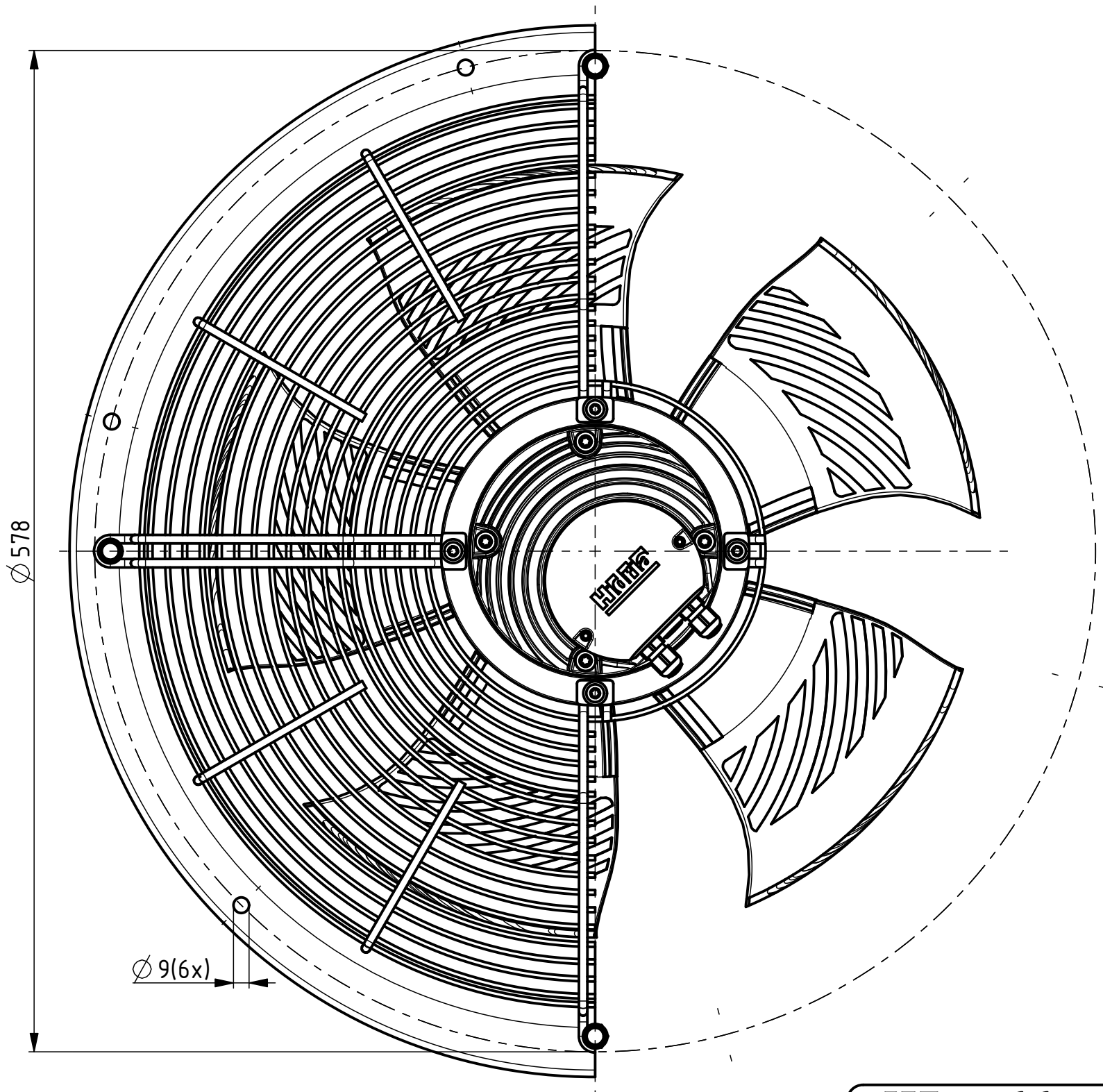
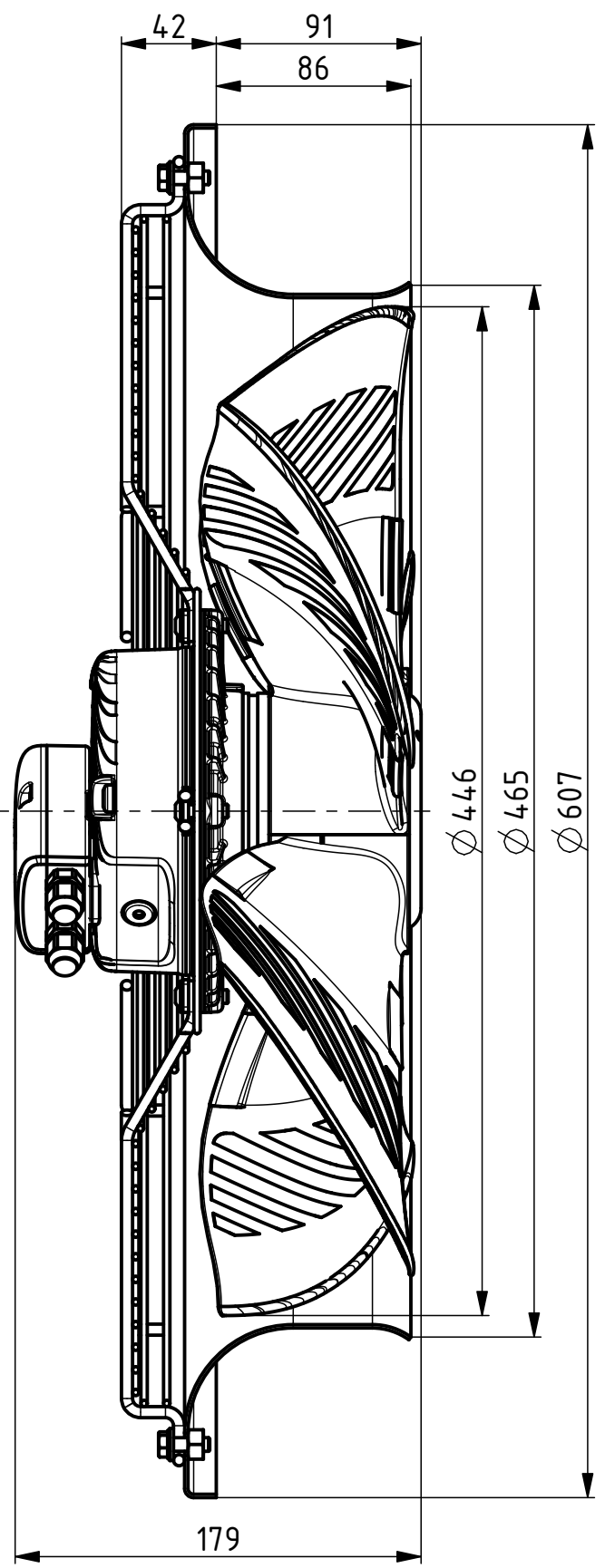


AIRFLOW  
DIRECTION



Weight: 7,8kg

	MADE IN SLOVENIA		DATE	
	R10P-45APS-ES50B-04A05		0310-4-0028	
	EN60335		1~230-240V 50-60Hz 300W 2,05A	
			1280RPM MAX.AMB.65° C IP54 INS.CL.130 TH.PROT.	
ErP: Effes=43,2% (A,static) N=52,5 VSD integrated				