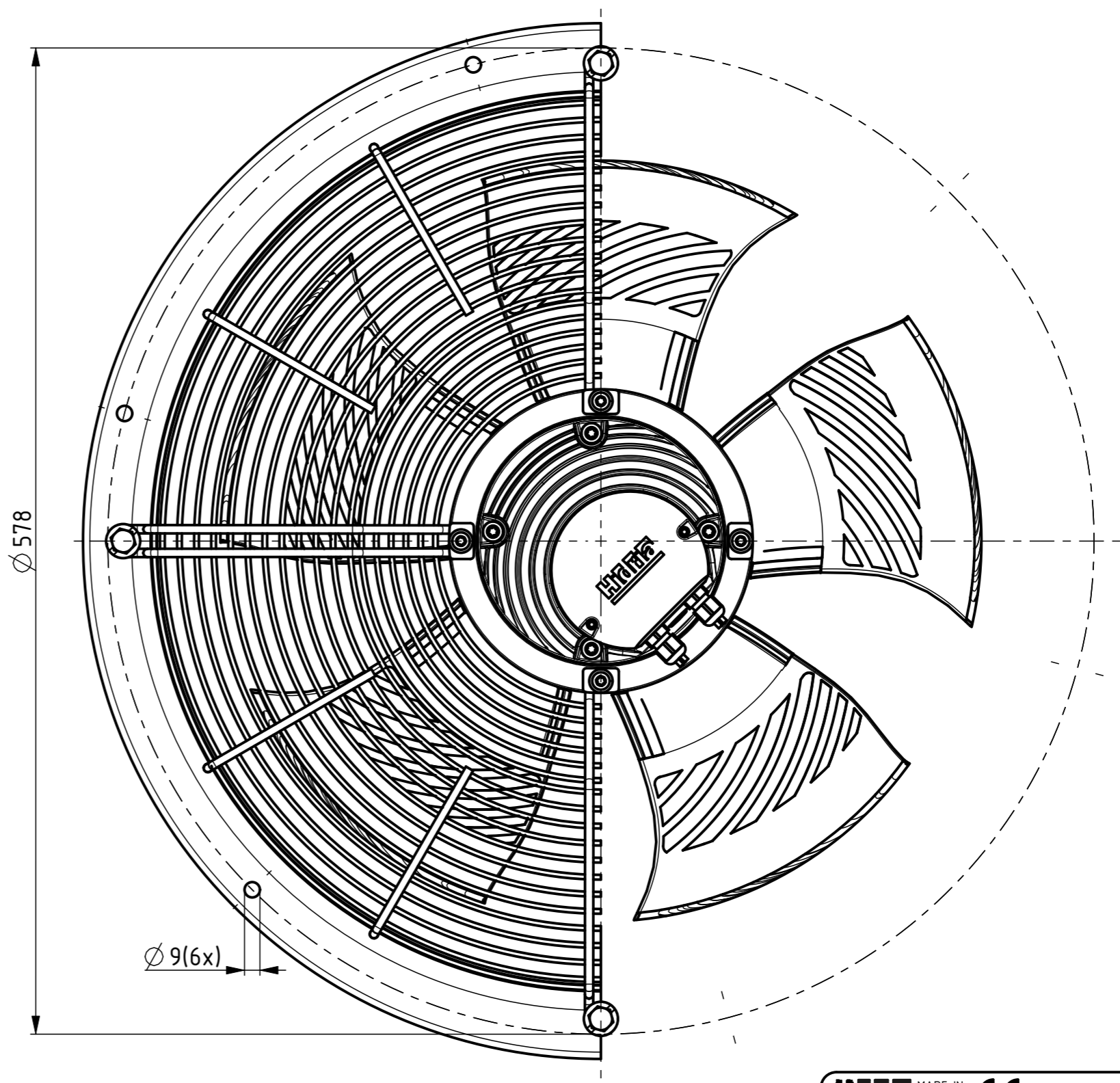
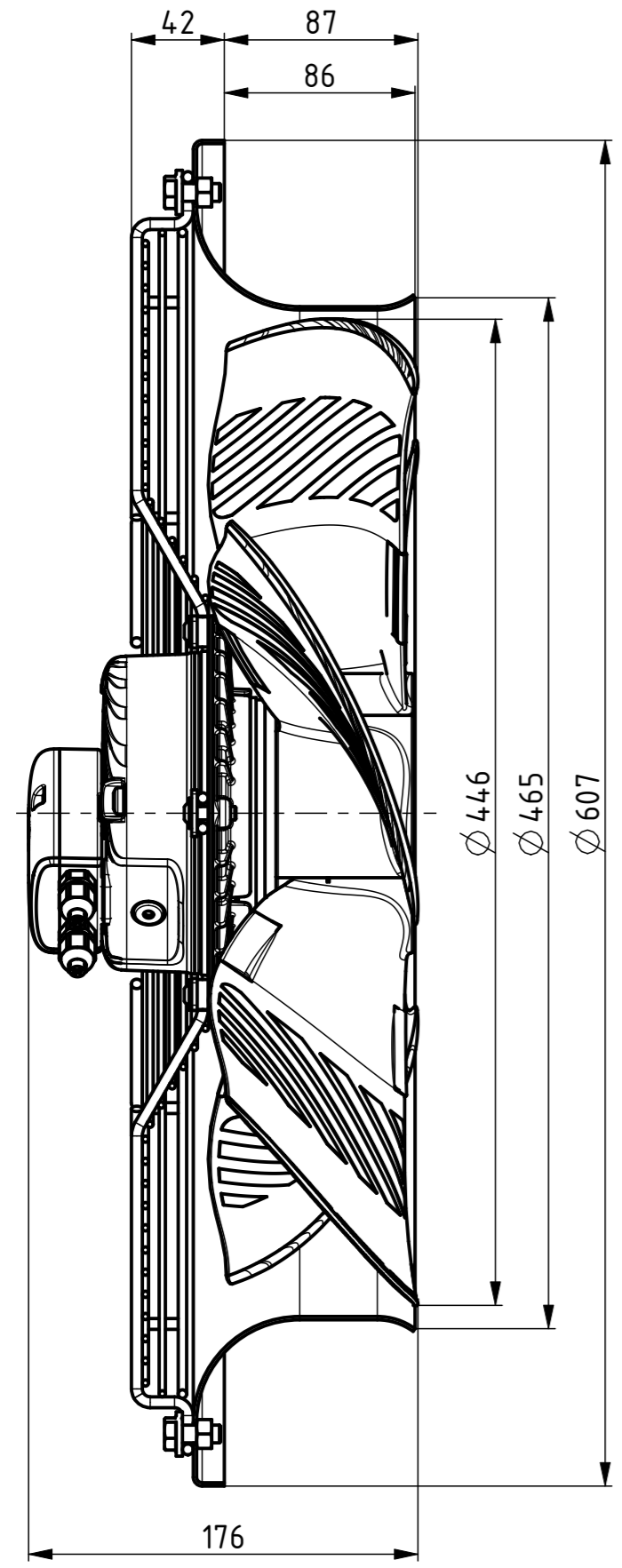


AIRFLOW
DIRECTION



Weight: 8,8kg

hidra MADE IN SLOVENIA CE	DATE
R10P-45APS-ES35B-01A08 0310-4-0049	QR code
EN60335 1~230V 50-60Hz 220W 1,45A	
1150RPM MAX.AMB.60° C IP54	
INS.CL.130 TH.PROT.	ErP: Effes=44,9% (A,static) N=55,0 VSD integrated