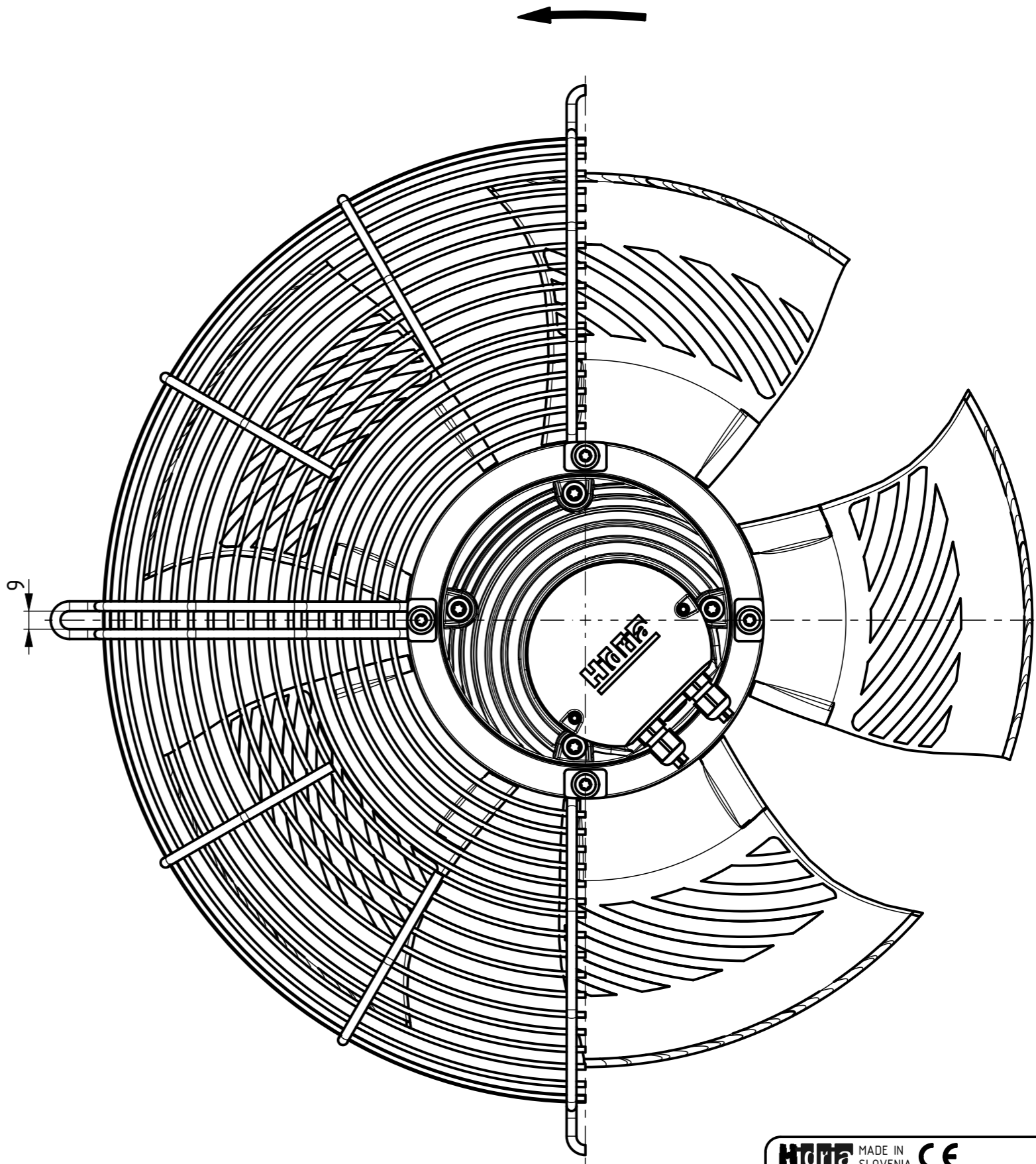
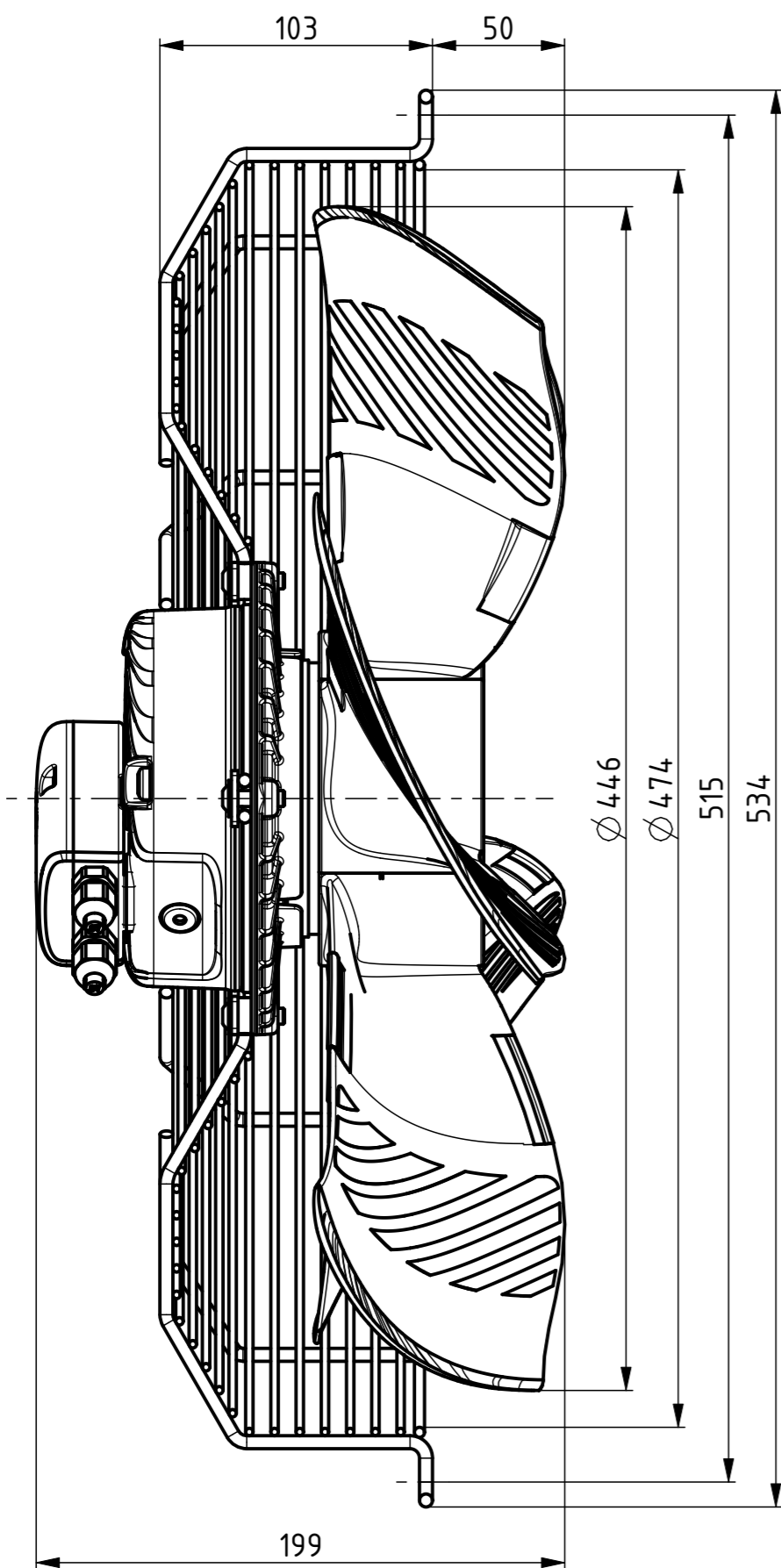


AIRFLOW  
DIRECTION →



Weight: 6,1kg

<b>Hidra</b> MADE IN SLOVENIA	<b>CE</b>	DATE
R10R-45APB-ES35B-01A08	0310-4-0078	QR code
EN60335 1~230V 50-60Hz 220W 1,45A		
EN60335 1150RPM MAX.AMB.60° C IP54		
INS.CL.130 TH.PROT.		
ErP: Effes=44,9% (A,static) N=55,0 VSD integrated		