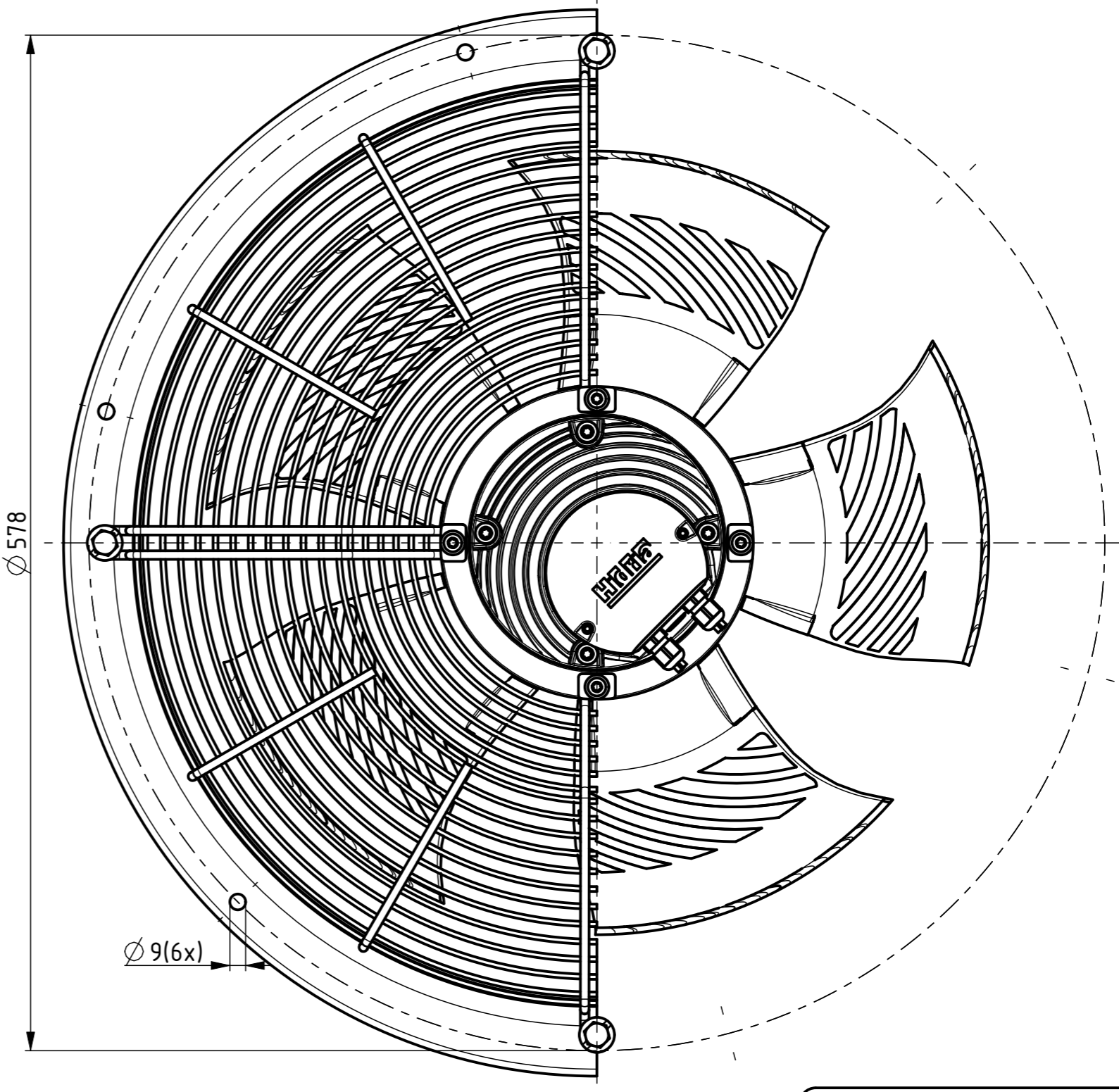
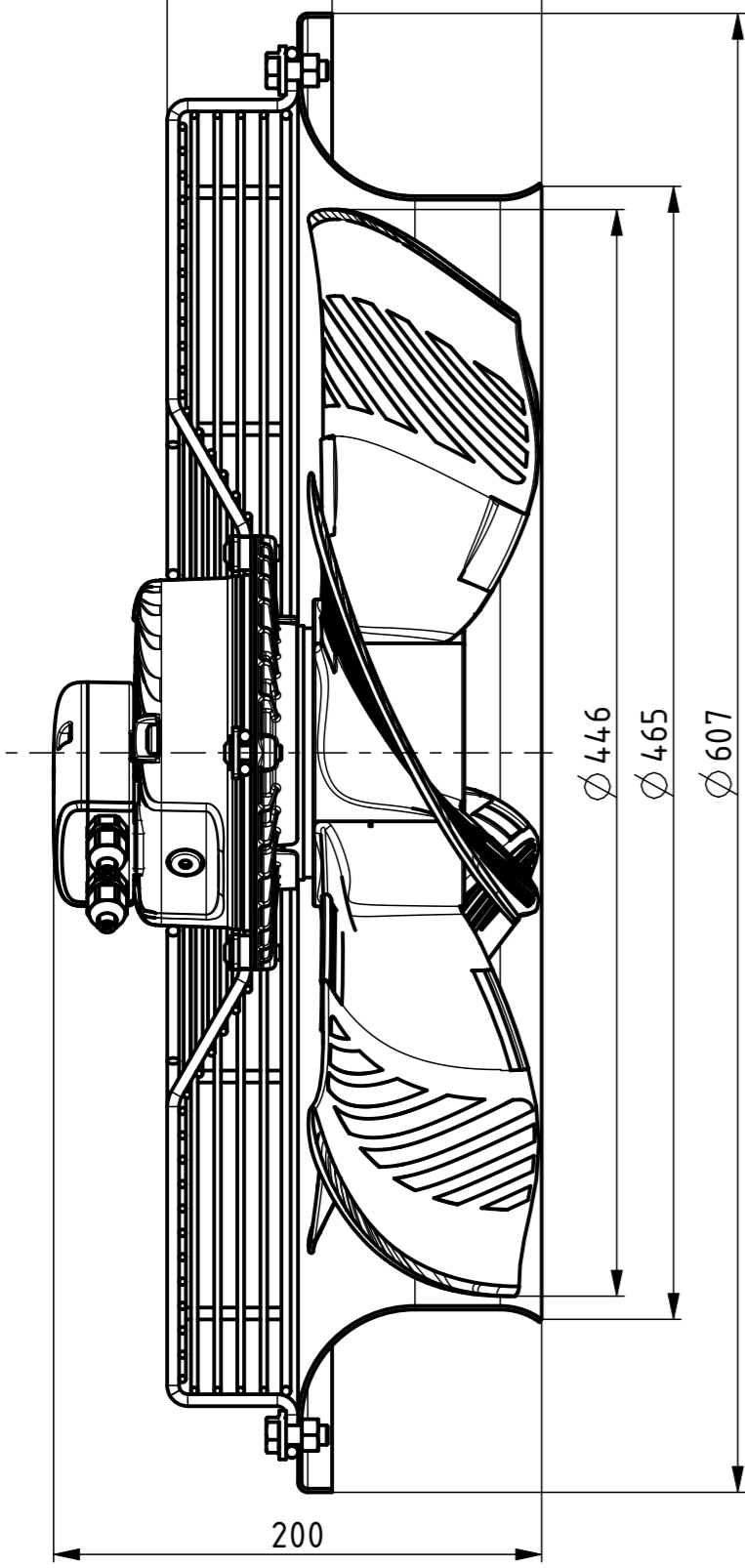


AIRFLOW  
DIRECTION

68 86



Weight: 9,1kg

<b>Hydra</b> MADE IN SLOVENIA <b>CE</b>	DATE
R10P-45APB-ES35B-01A08 0310-4-0079	QR code
EN60335 1~230V 50-60Hz 220W 1,45A	
1150RPM MAX.AMB.60° C IP54	
INS.CL.130 TH.PROT.	
ErP: Effes=44,9% (A,static) N=55,0 VSD integrated	