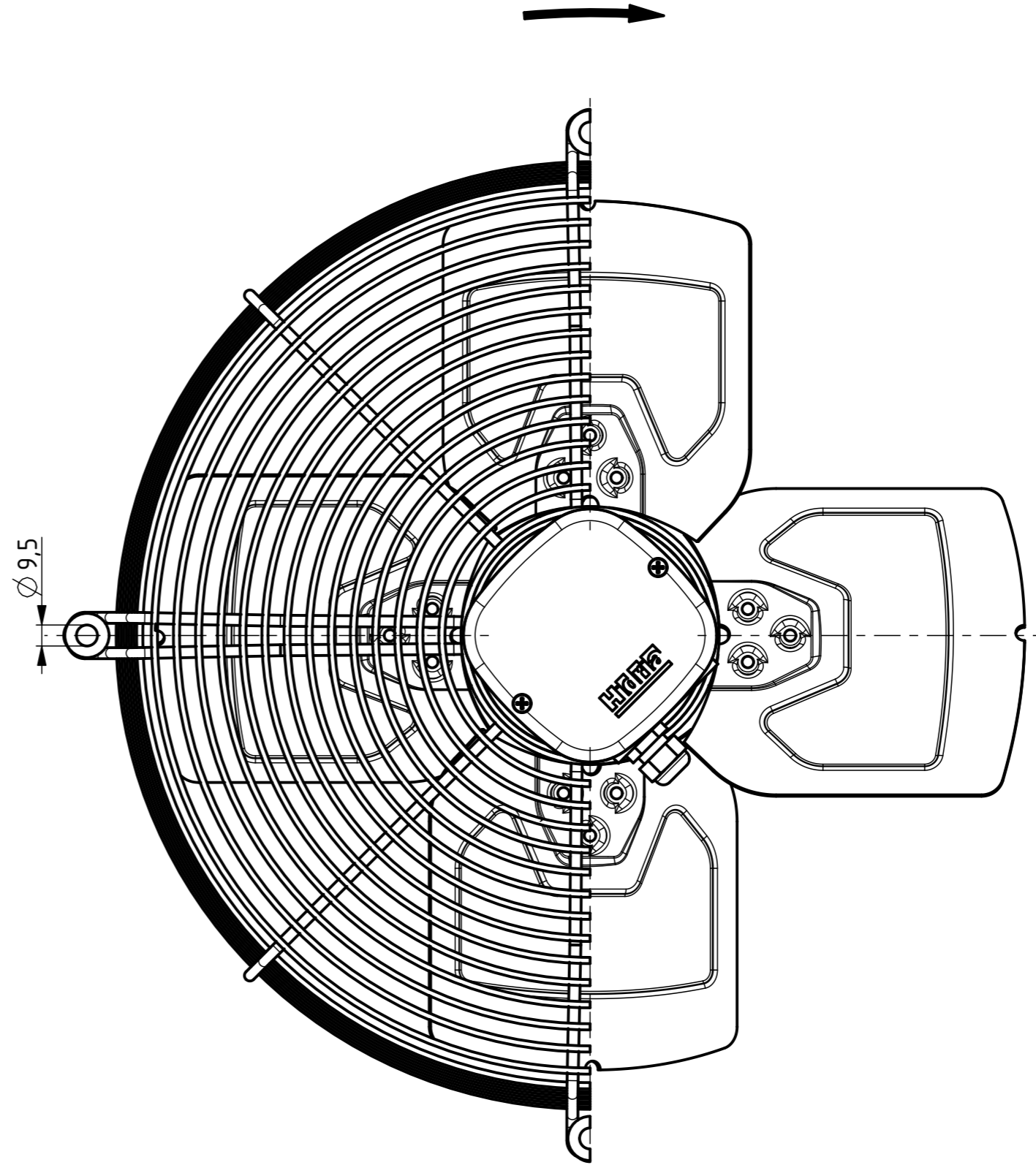
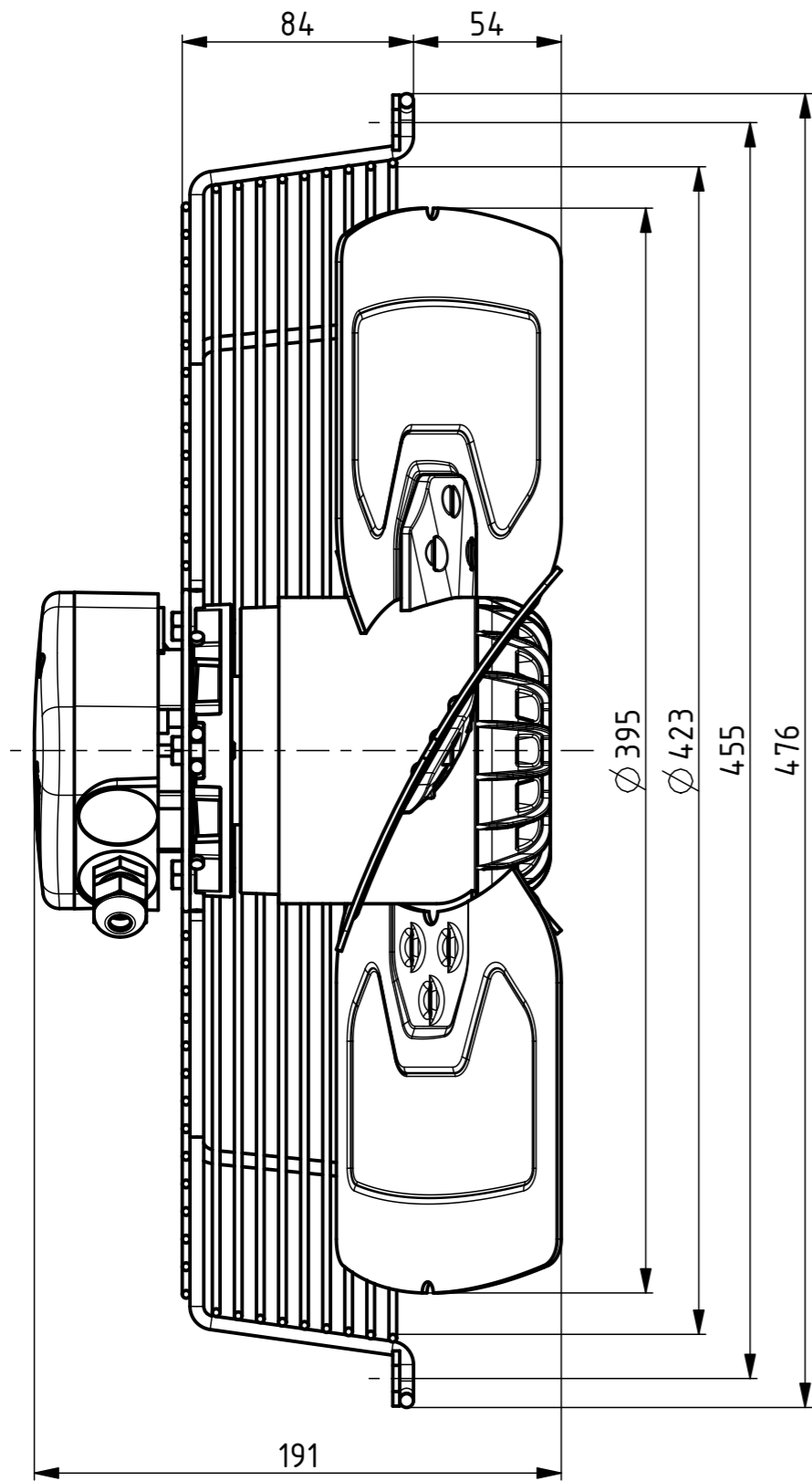


AIRFLOW
DIRECTION



Weight: 5,7kg

HOMER	MADE IN SLOVENIA	CE	DATE
R11R-4030P-4T2-3830			0311-4-0042
3~400V D/Y 50Hz 195/130W 0,34/0,21A 1320/1000RPM			
MAX.AMB.70/70° C IP54 INS.CL.155			
TH.PROT.			
ErP: Effes=31,3% (A,static) N=41,8			