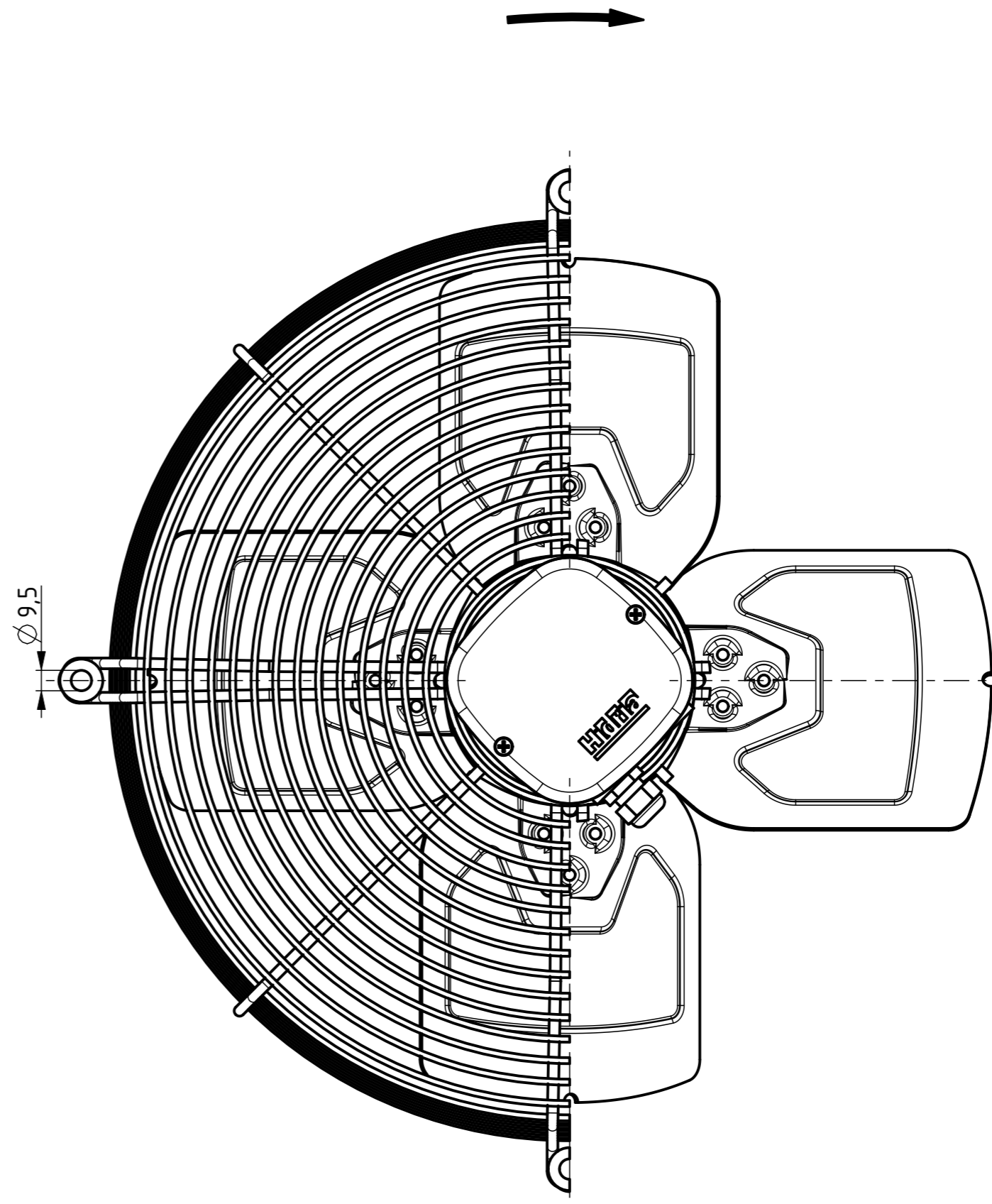
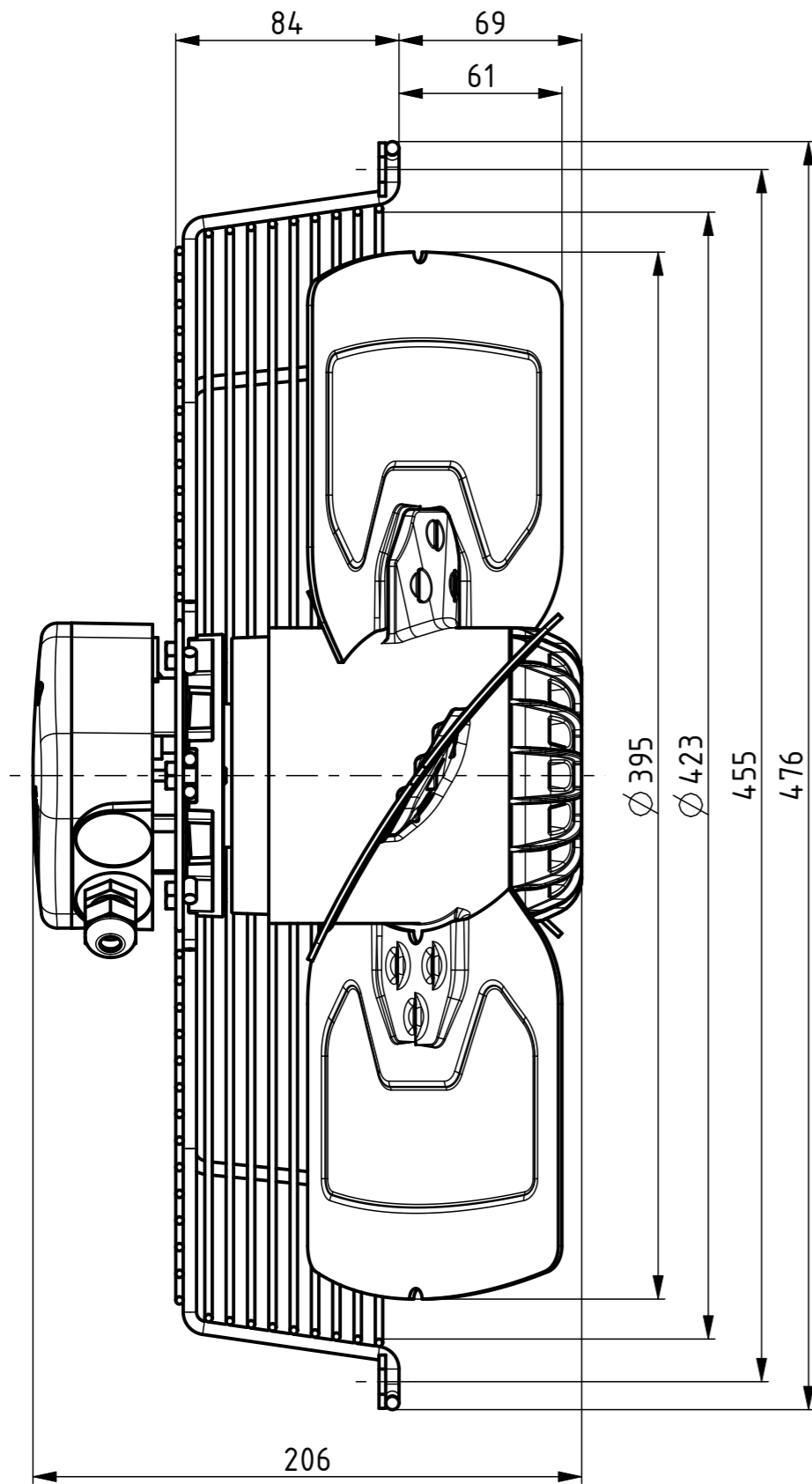


AIRFLOW  
DIRECTION →



Weight: 7,8kg

<b>HIT</b>	MADE IN SLOVENIA	<b>CE</b>	DATE
R11R-4035P-4T2-5745			0311-4-0049
3~400V 50Hz D/Y 280/220W 0,60/0,35A 1400/1190RPM MAX.AMB.70/70° C			
3~400V 60Hz D/Y 420/290W 0,70/0,47A 1585/1065RPM MAX.AMB.65/40° C			
3~460V 60Hz D/Y 440/330W 0,69/0,46A 1645/1240RPM MAX.AMB.70/45° C			
IP54 INS.CL.155 TH.PROT.			
ErP: Effes=30,9% (A,static) N=40,7			