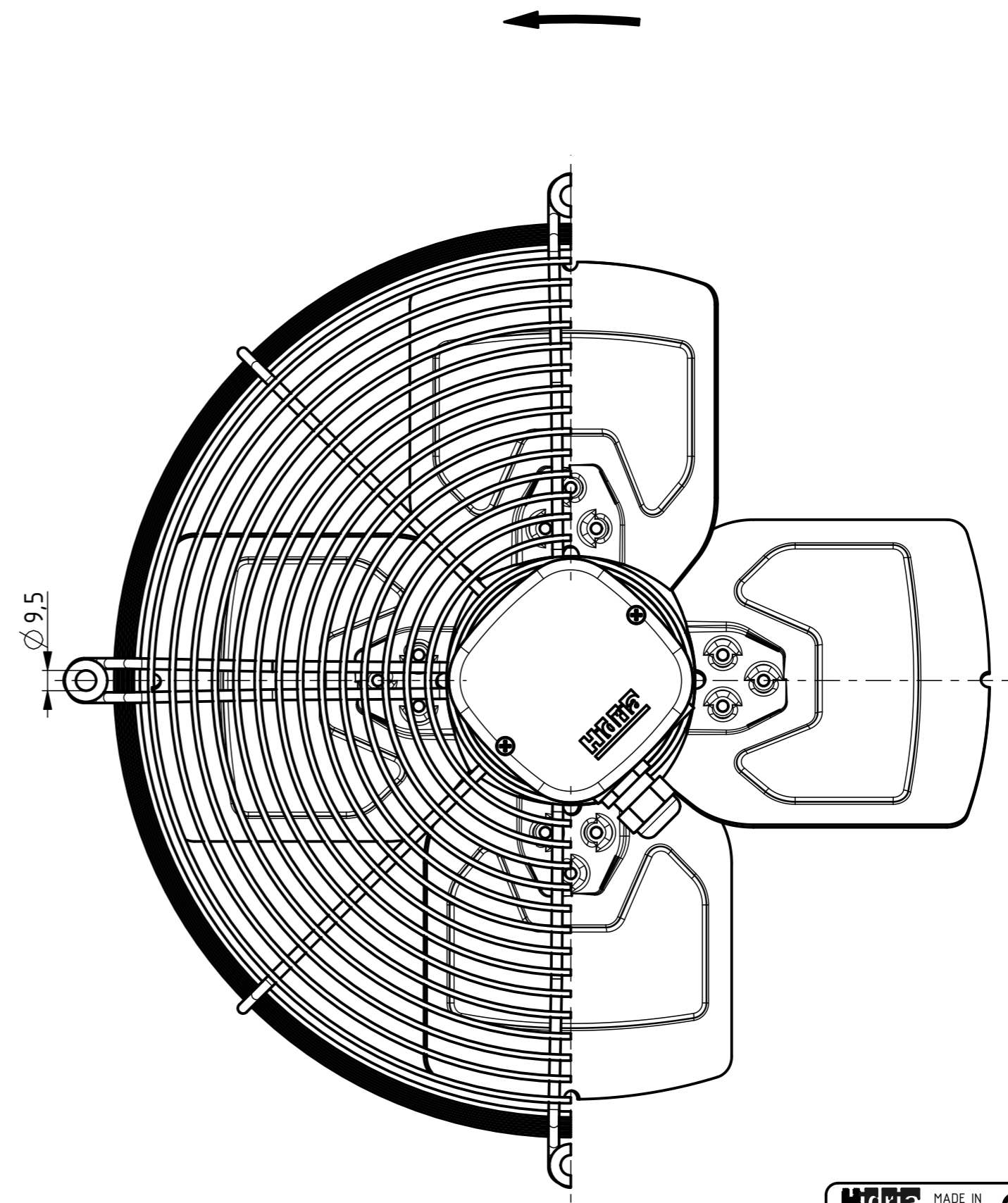
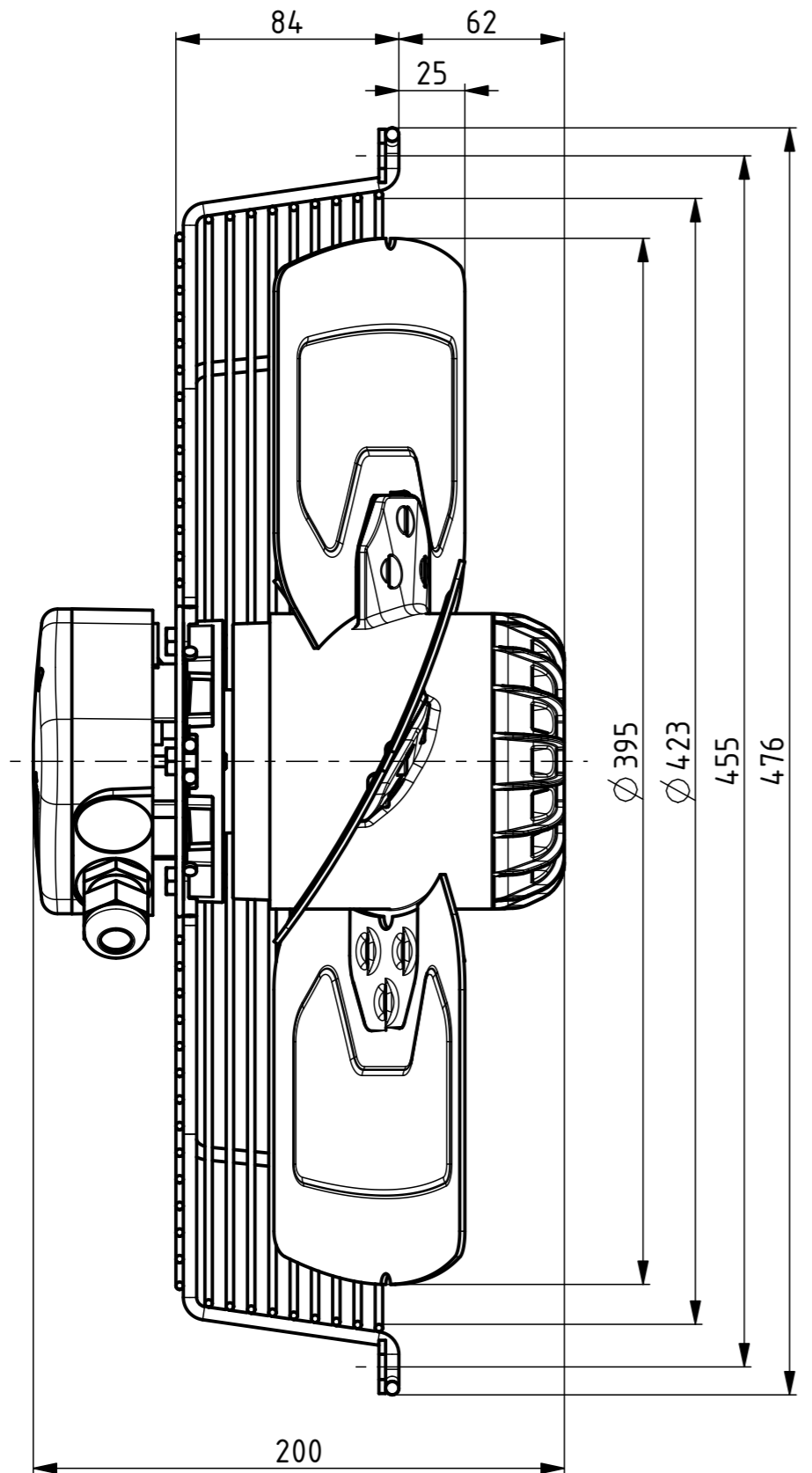


AIRFLOW  
DIRECTION



Weight: 6,1kg

<b>HITRE</b> MADE IN SLOVENIA	CE	DATE
R11R-4025A-4M-5137		0311-4-0194
1~230V 50/60Hz 170/205W 0,82/0,89A 1370/1570RPM		
MAX.AMB.70/65° C IP54 INS.CL.155 C=6,3µF/450V		
TH.PROT.		
ErP: Effes=33,3% (A,static) N=43,8		