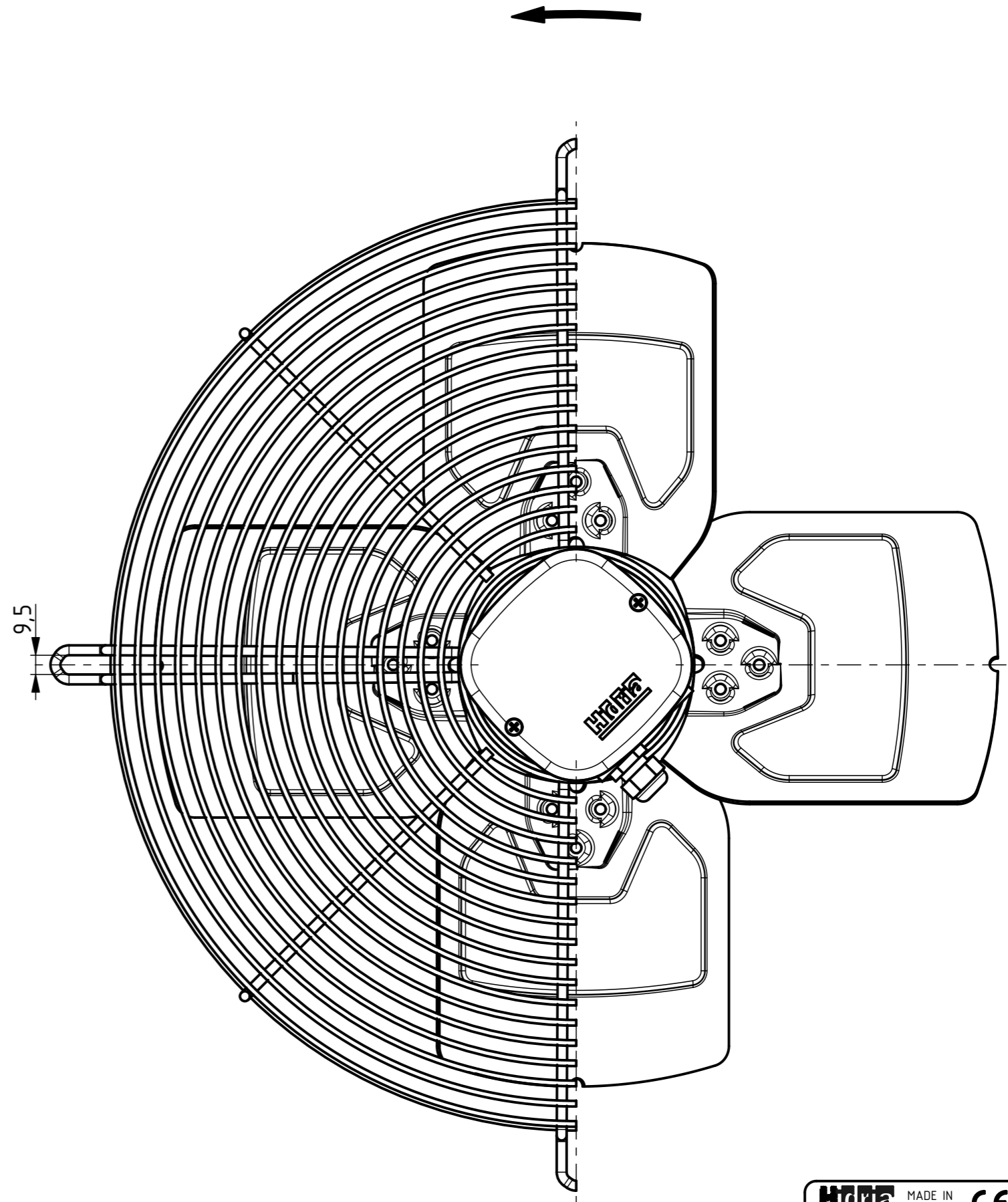
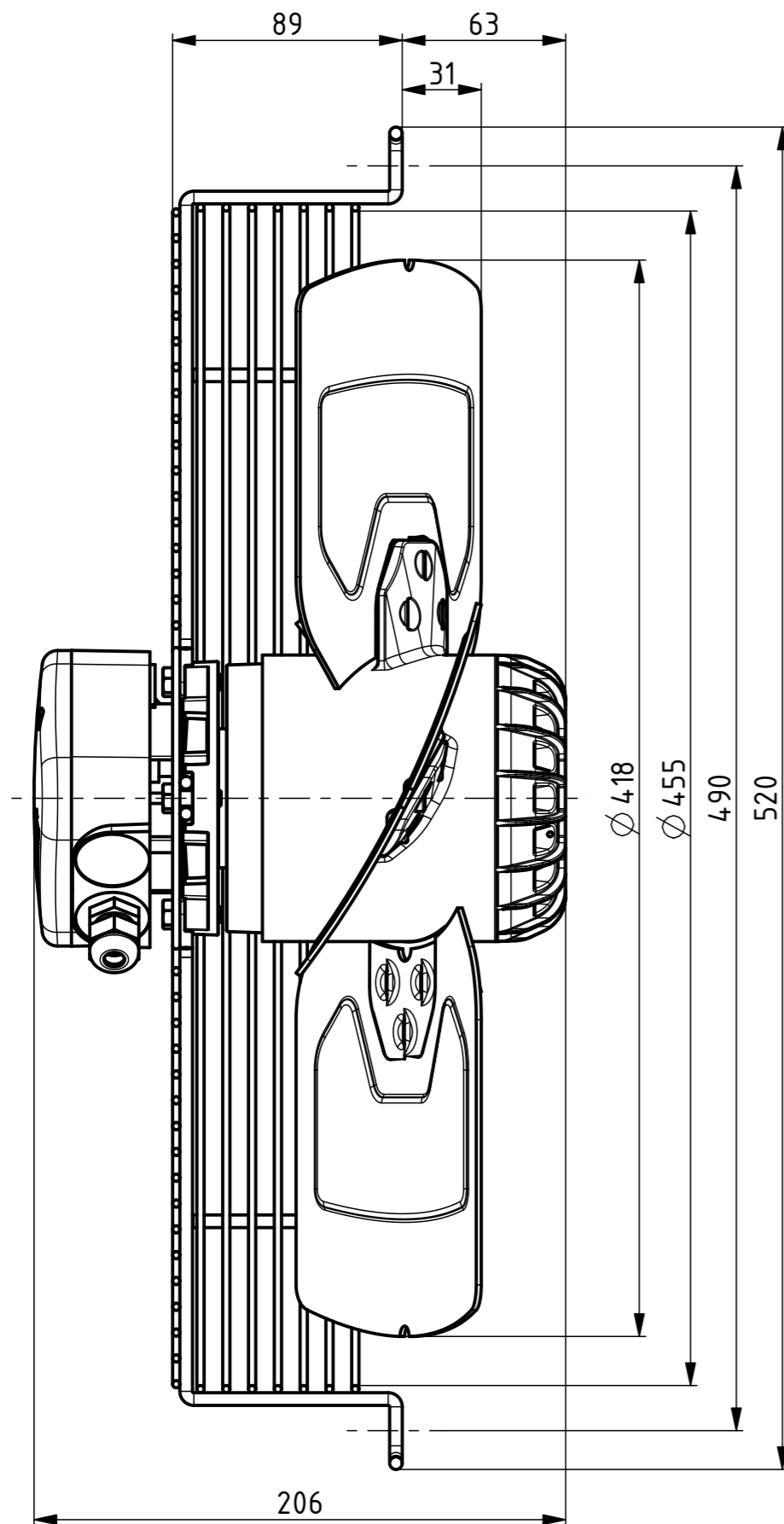


AIRFLOW  
DIRECTION



Weight: 6,3kg

<b>HIMA</b> MADE IN SLOVENIA	<b>CE</b>	DATE
R11R-4225A-4M-5715		0311-4-0265
1~230V 50/60Hz 230/300W 1,15/1,30A 1400/1600RPM		
MAX.AMB.50/70° C IP54 INS.CL.155 C=6,3µF/450V		
TH.PROT.		
ErP: Effes=30,9% (A,static) N=41,1		