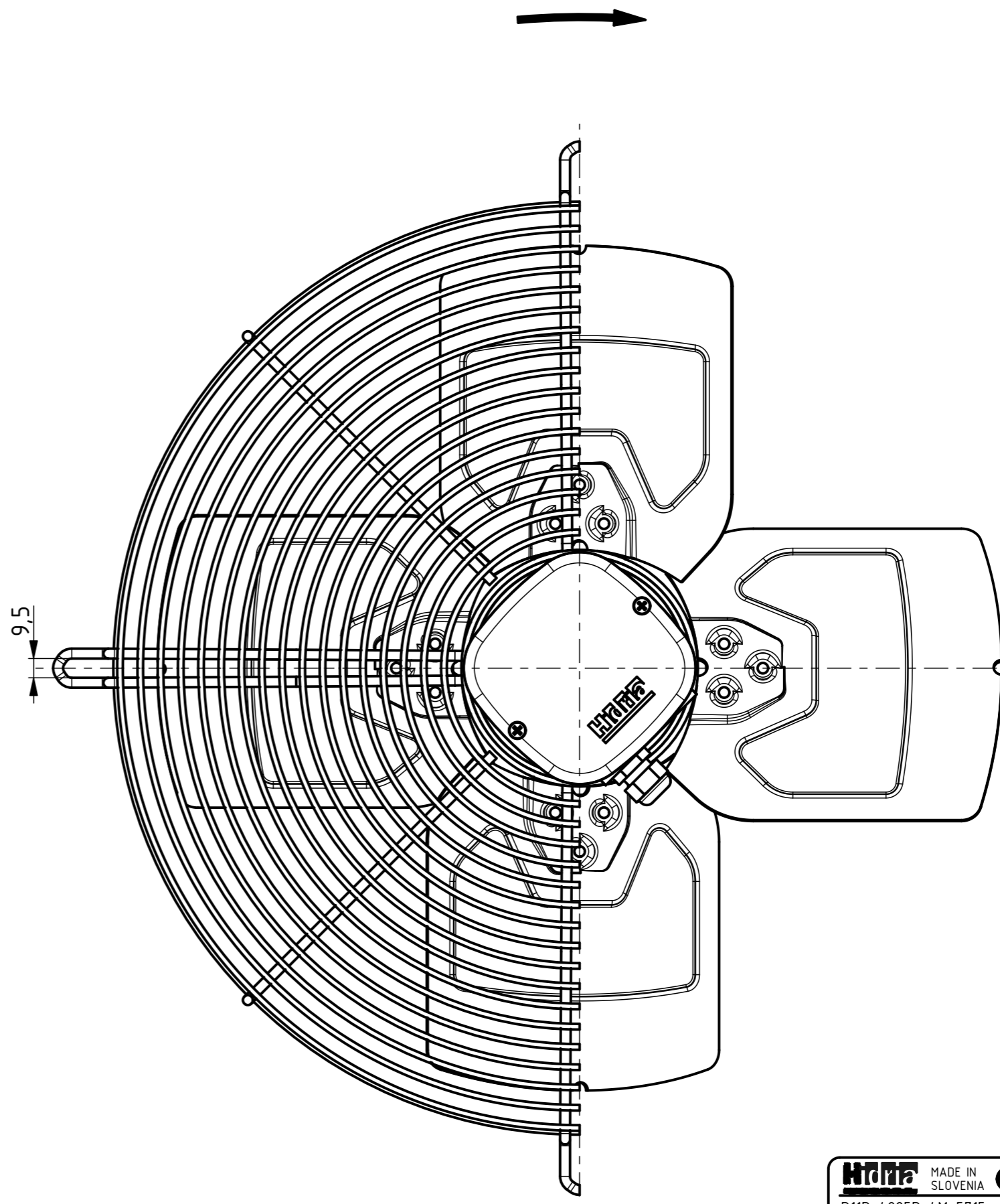
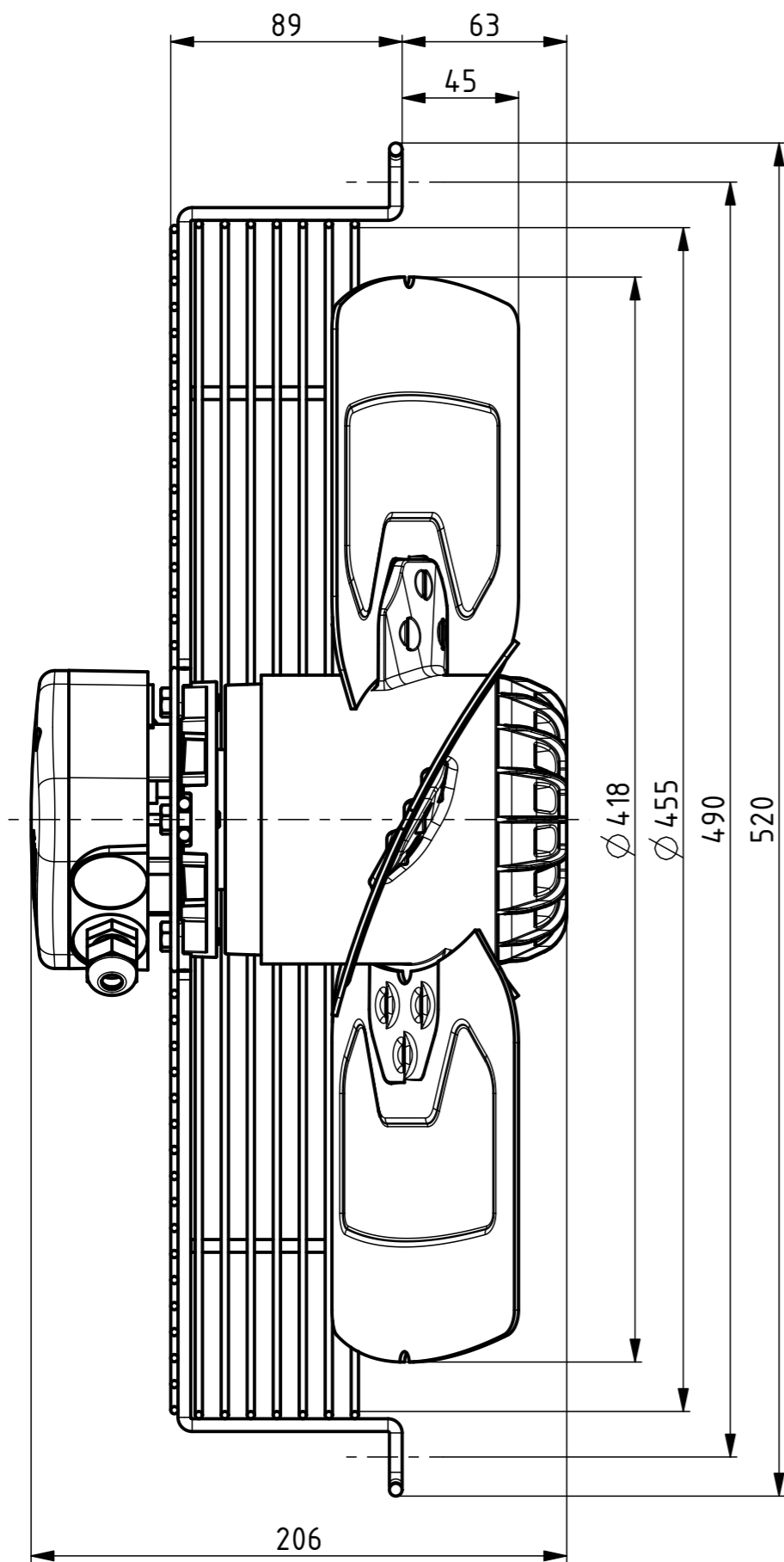


AIRFLOW  
DIRECTION



Weight: 6,3kg

|   |                  |           |             |
|---|------------------|-----------|-------------|
| <b>HIMA</b>                                     | MADE IN SLOVENIA | <b>CE</b> | DATE        |
| R11R-4225P-4M-5715                              |                  |           | 0311-4-0266 |
| 1~230V 50/60Hz 230/300W 1,15/1,30A 1400/1600RPM |                  |           |             |
| MAX.AMB.50/70° C IP54 INS.CL.155 C=6,3pF/450V   |                  |           |             |
| TH.PROT.  |                  |           |             |
| ErP: Effes=30,9% (A,static) N=41,1              |                  |           |             |