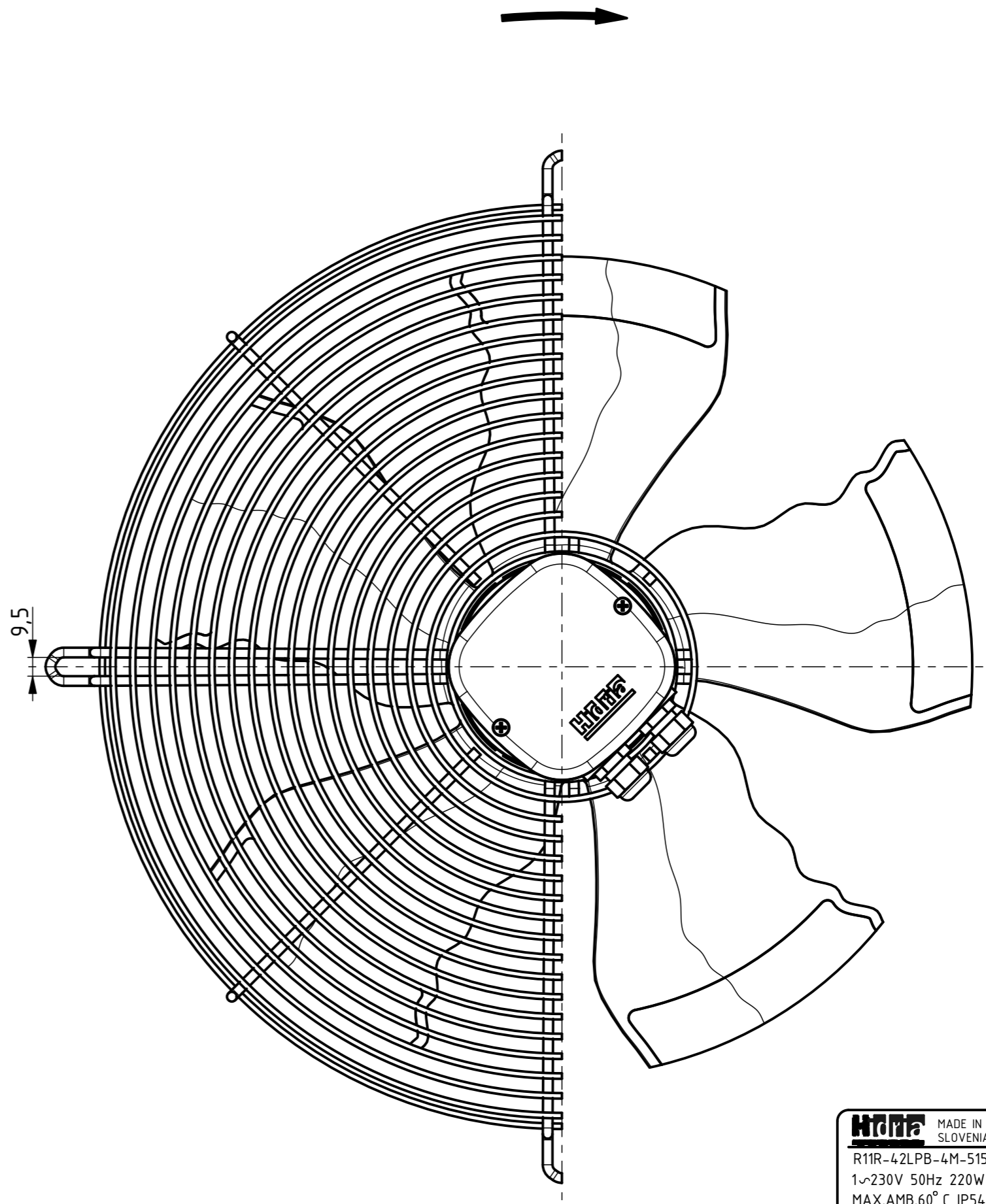
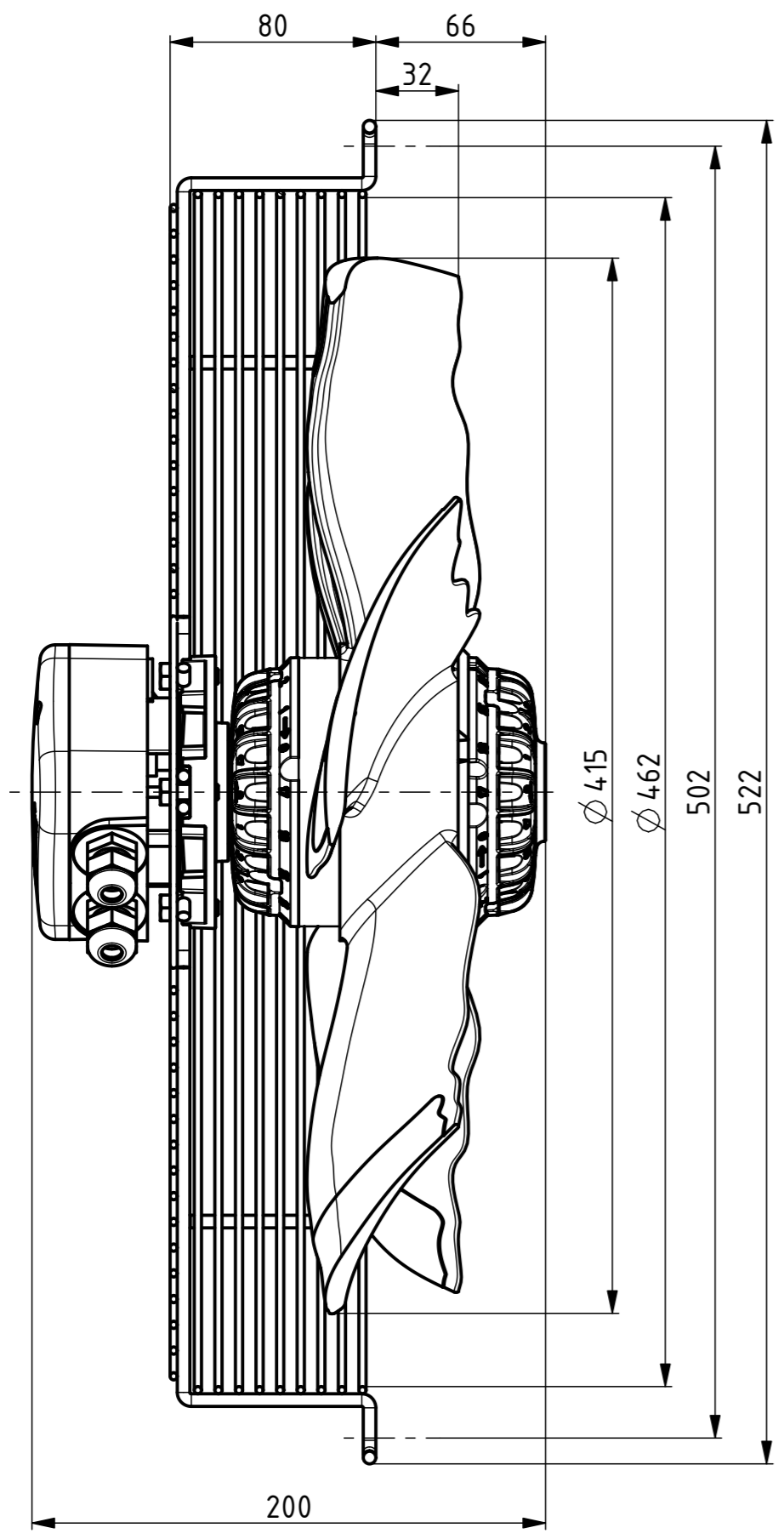


AIRFLOW
DIRECTION →



Weight: 6,1kg

HTM MADE IN SLOVENIA CE	DATE
R11R-42LPB-4M-5150	0311-4-0310
1~230V 50Hz 220W 1,00A 1280RPM	
MAX.AMB.60° C IP54 INS.CL.155 C=6,3µF/450V	
TH.PROT.	
ErP: Effes=28,9% (A,static) N=39,2	