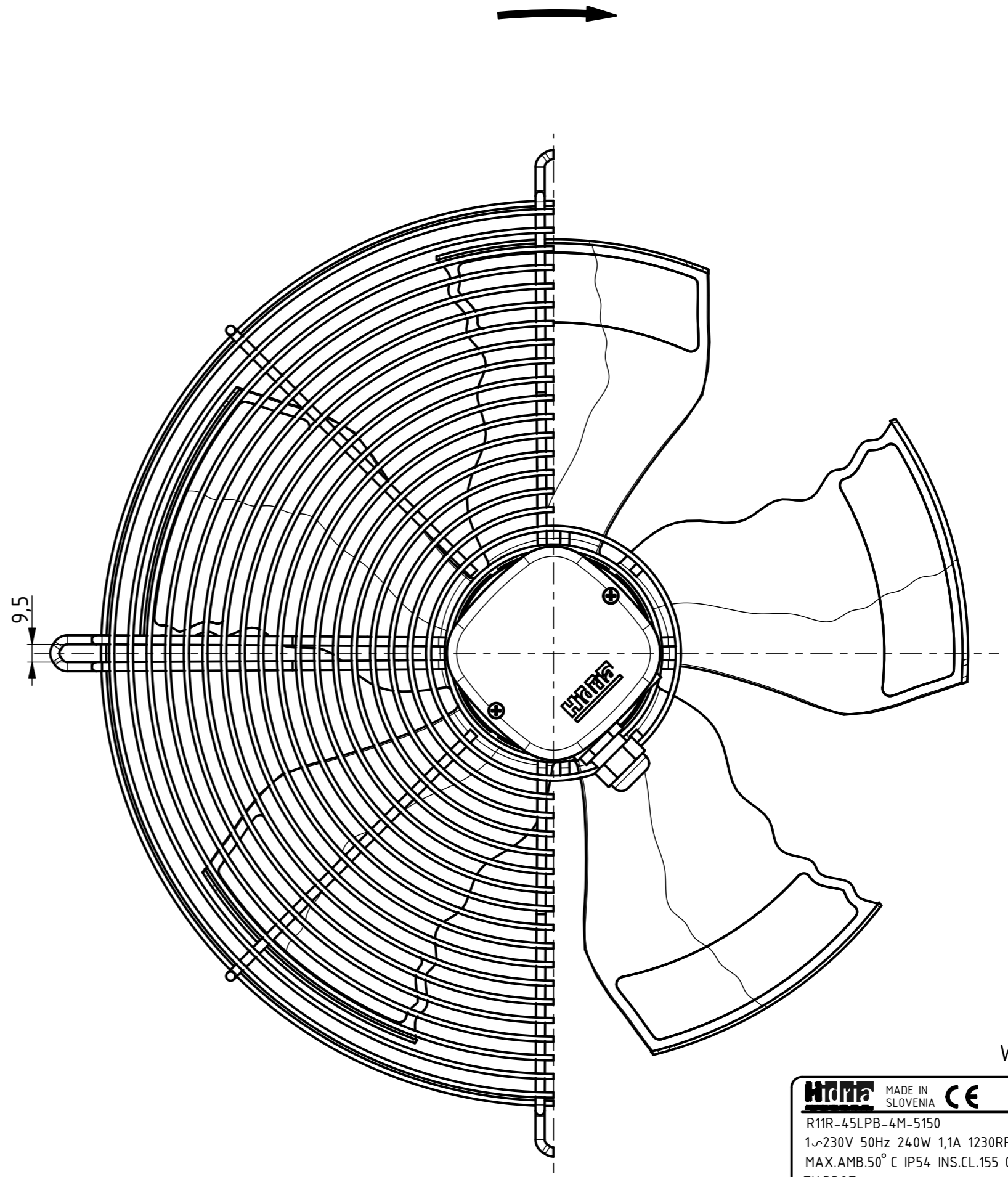
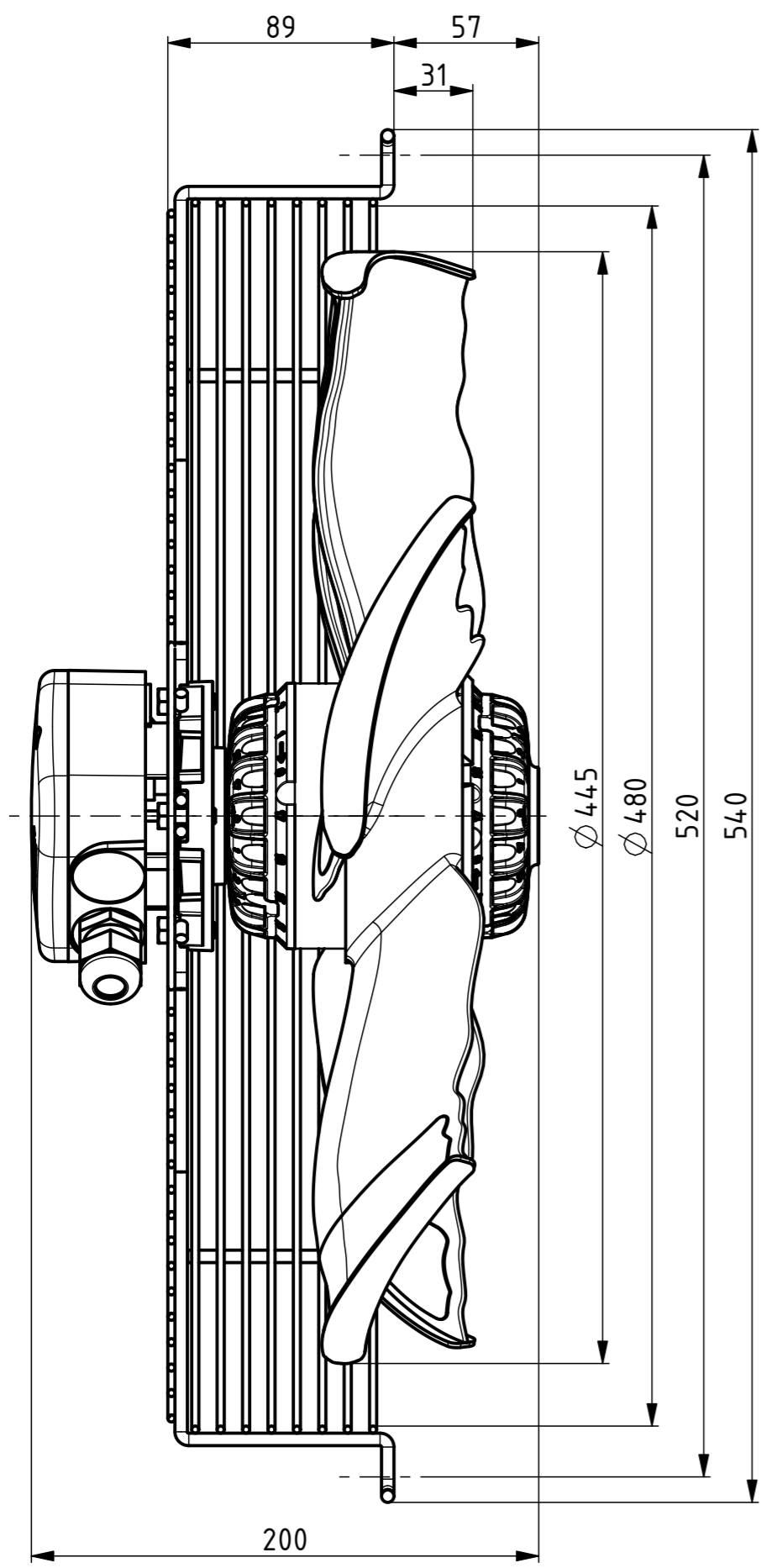


AIRFLOW
DIRECTION →



Weight: 6,4 kg

HITITE	MADE IN SLOVENIA	CE	DATE
R11R-45LPB-4M-5150		0311-4-0343	
1~230V 50Hz 240W 1,1A 1230RPM			
MAX.AMB.50° C IP54 INS.CL.155 C=6,3µF/450V			
TH.PROT.			
ErP: Effes=26,6% (A,static) N=36,6			