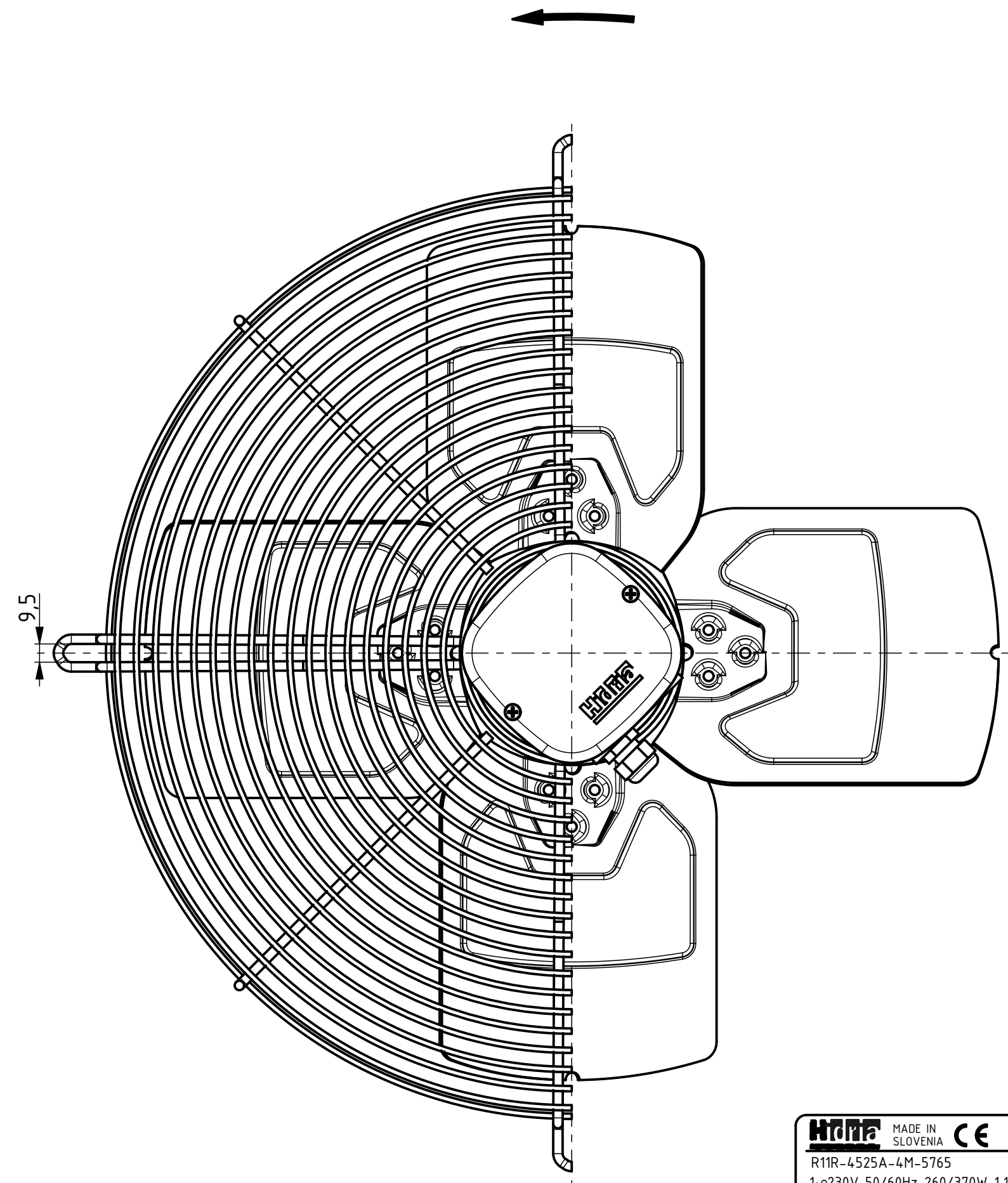
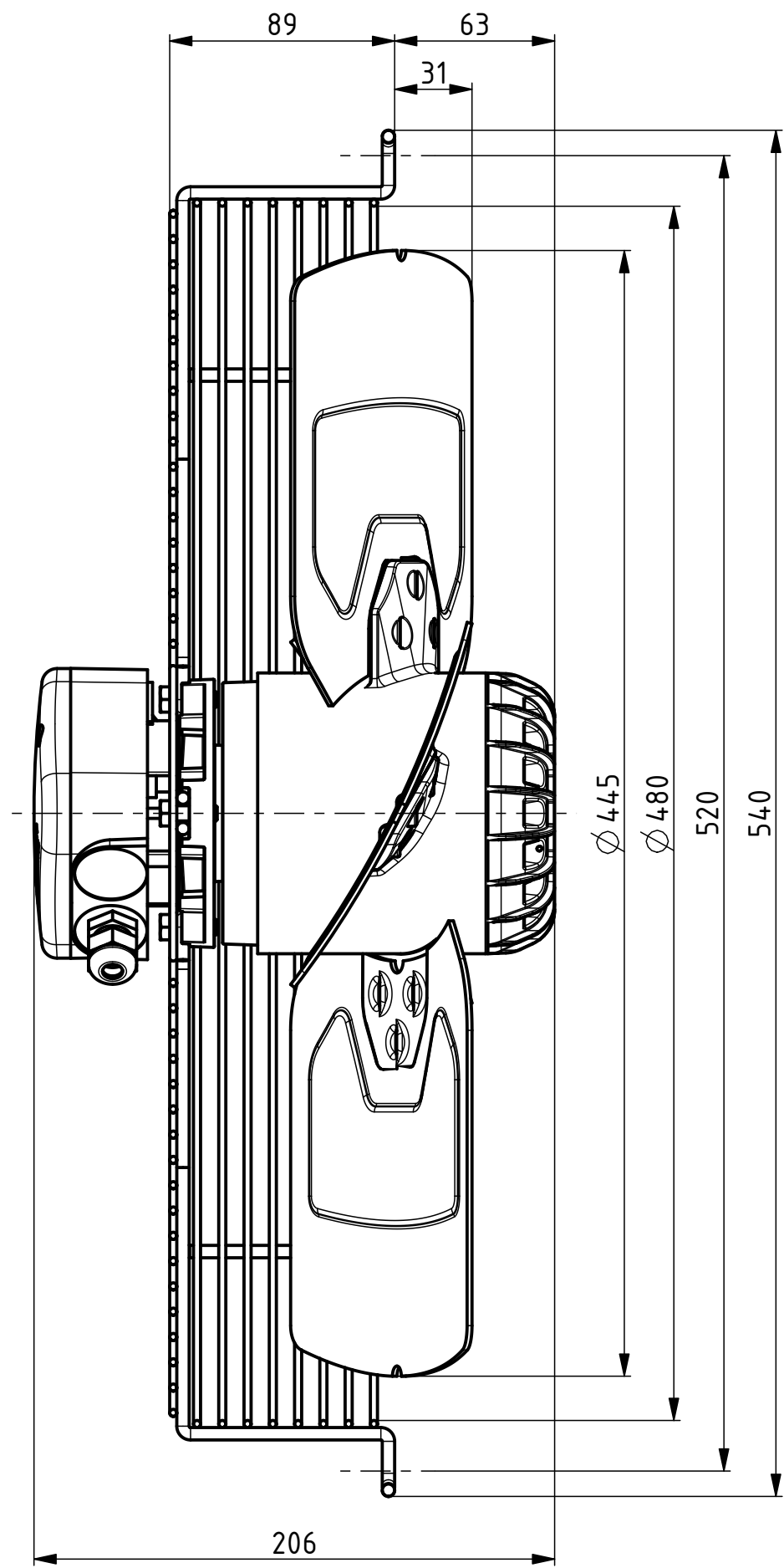


AIRFLOW
DIRECTION



Weight: 6,3kg

HTM	MADE IN SLOVENIA	CE	DATE
R11R-4525A-4M-5765		0311-4-0441	
1~230V 50/60Hz 260/370W 1,13/1,63A 1310/1420RPM			
MAX.AMB.65/50° C IP54 INS.CL.155 C=10µF/450V			
TH.PROT.			
ErP: Effes=31,6% (A,static) N=41,5			