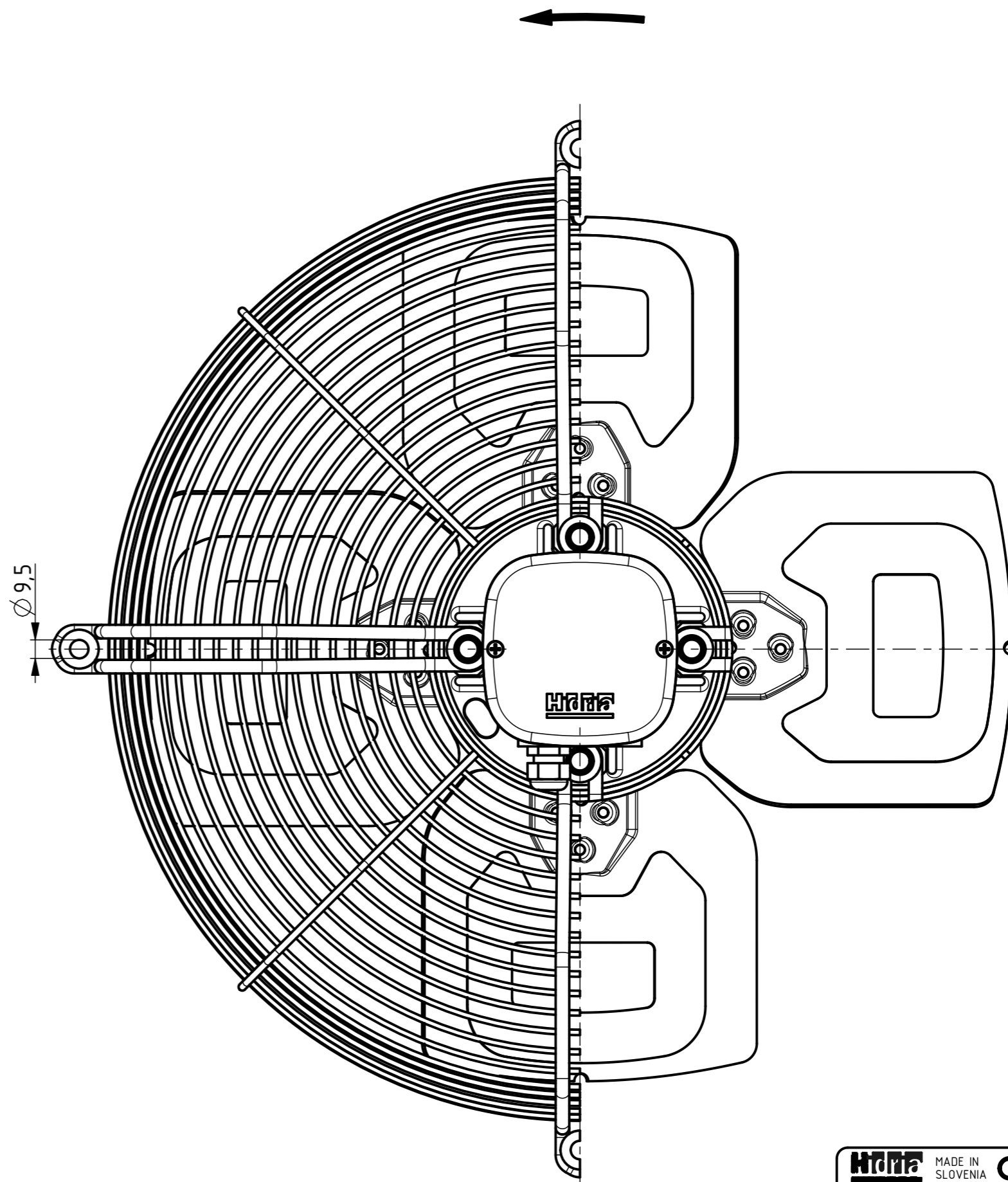
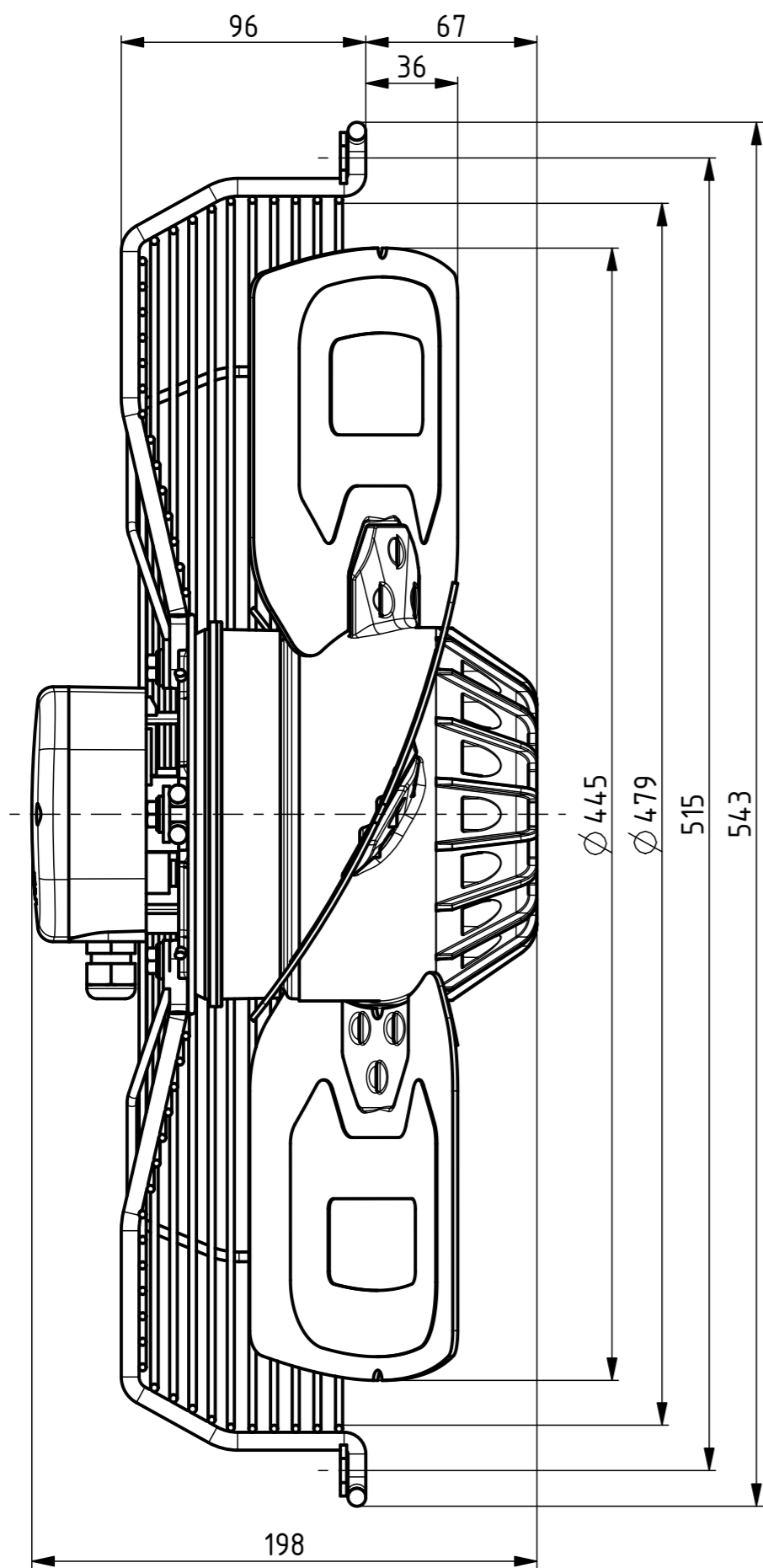


AIRFLOW
DIRECTION



Weight: 10kg

Hilti MADE IN SLOVENIA	CE	DATE
R13R-4525A-4M-5009		0313-4-0003
1~230V 50/60Hz 310/460W 1,4/2,0A 1410/1630RPM		
IP54 INS.CL.155 MAX.AMB.70/65° C C=8µF/450V		
TH.PROT.		
ErP: Effes=33,2% (A,static) N=42,3		