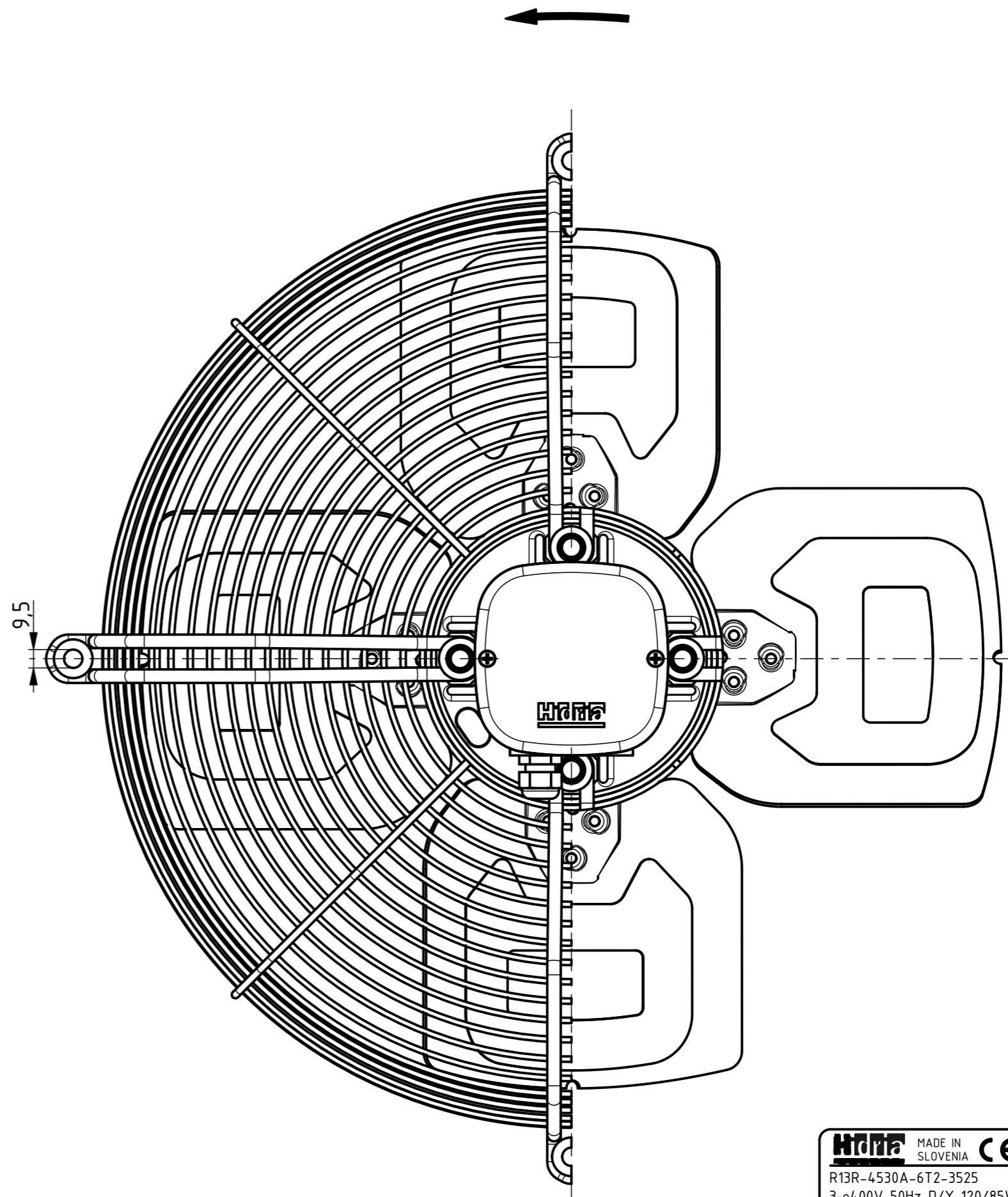
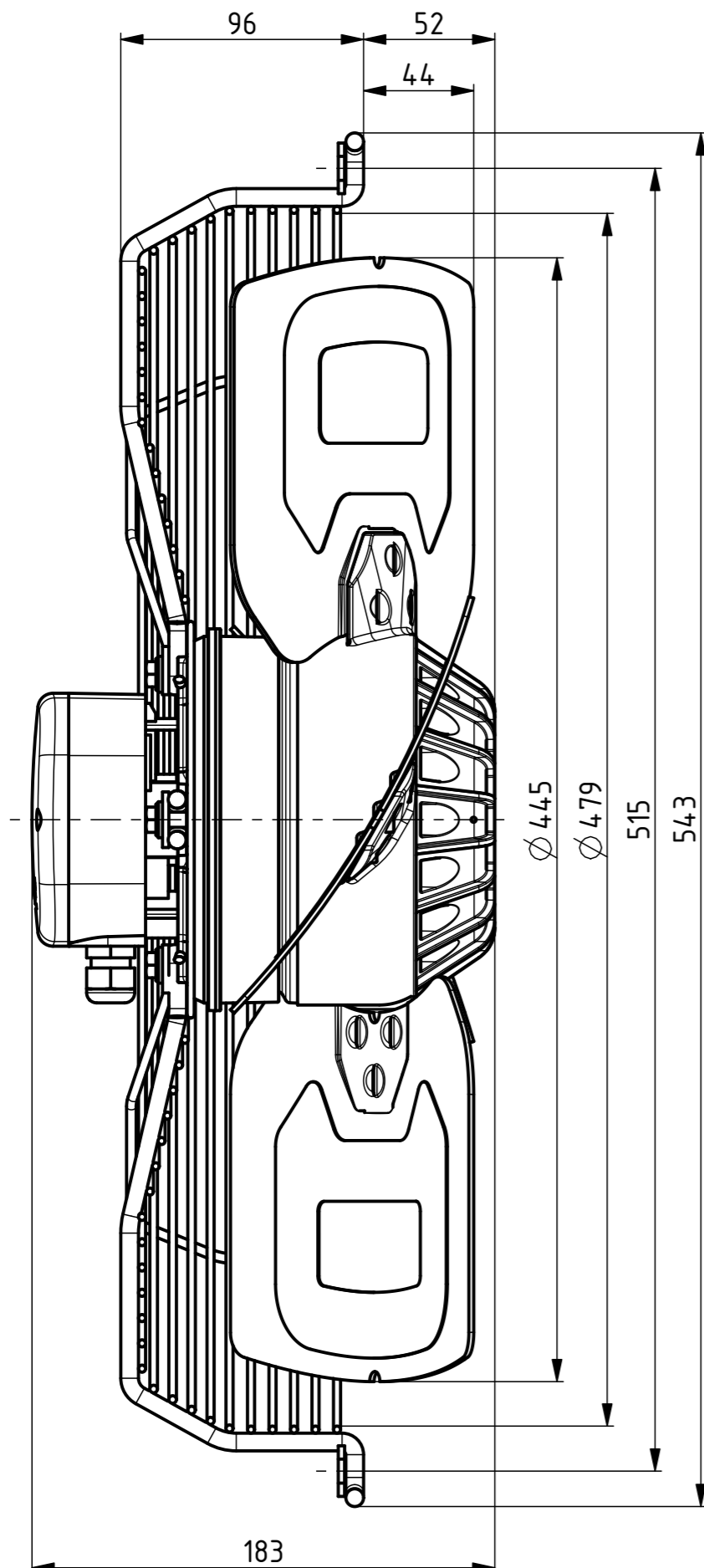


AIRFLOW
DIRECTION



Weight: 8,4kg

Hilti	MADE IN SLOVENIA	CE	DATE
R13R-4530A-6T2-3525			0313-4-0037
3~400V 50Hz D/Y 120/85W 0,28/0,14A 915/770RPM			
MAX.AMB.70° C IP54 INS.CL.155			
TH.PROT.			
ErP: Effes=28,5% (A,static) N=40,1			