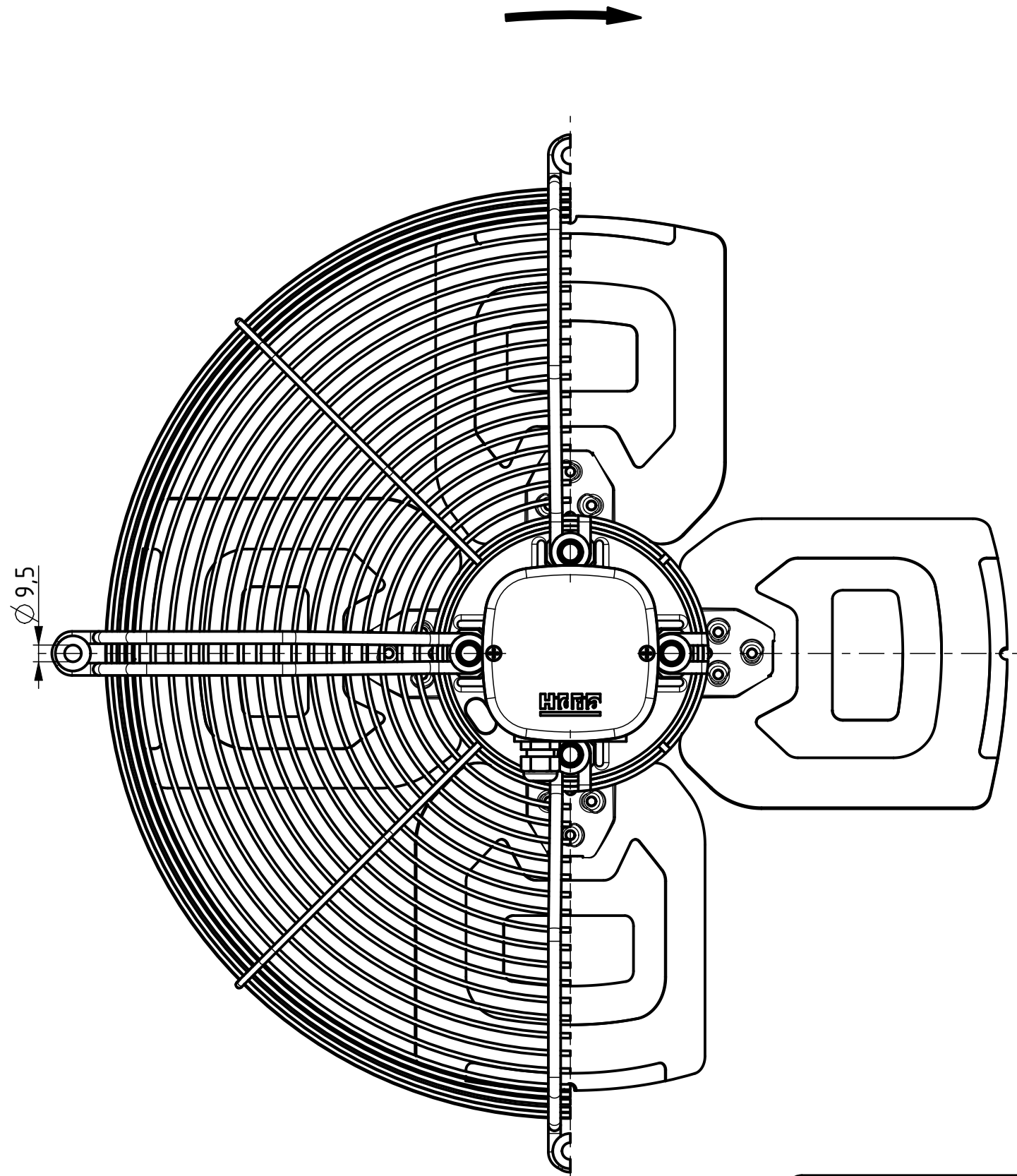
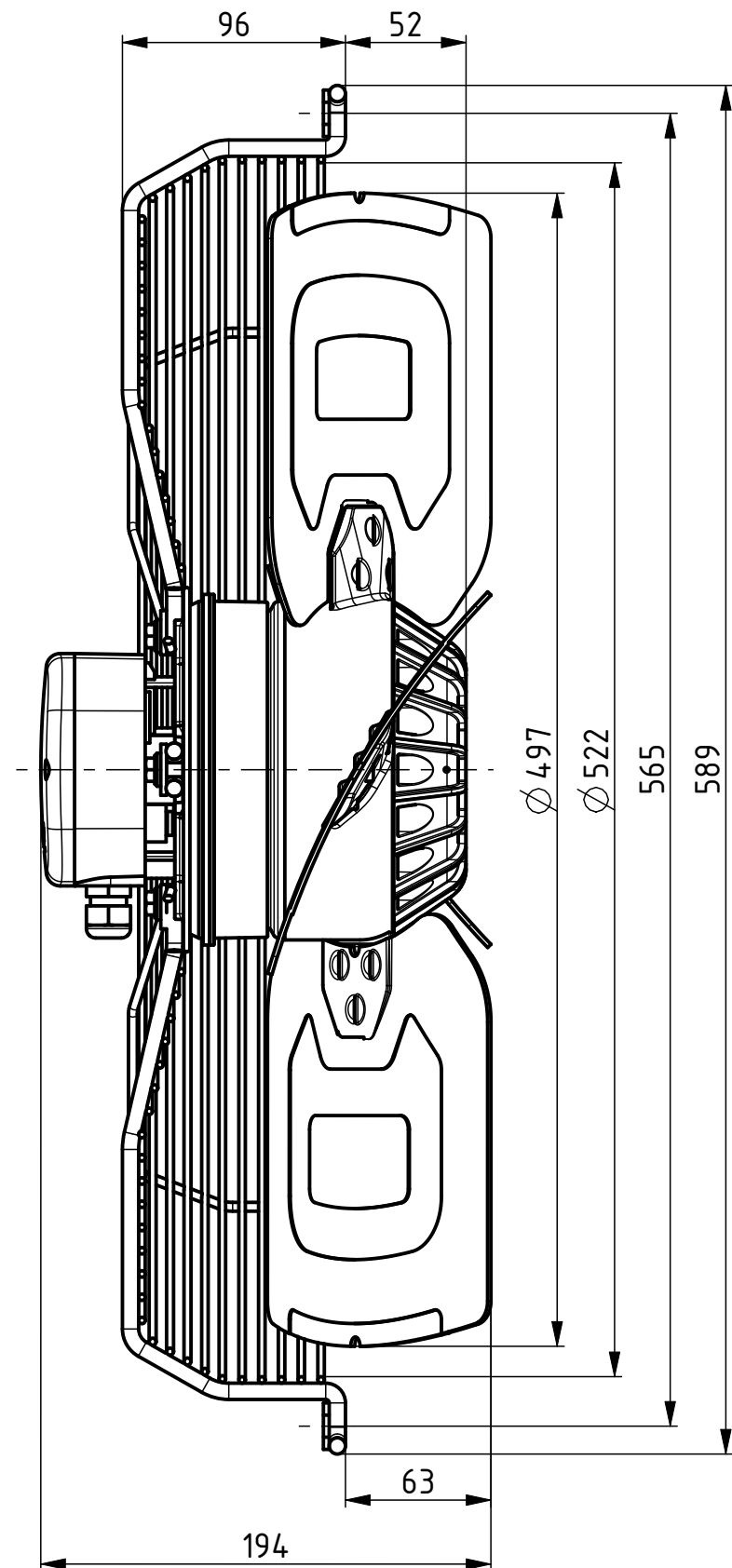


AIRFLOW
DIRECTION →



Weight: 7,5kg

HMM MADE IN SLOVENIA	CE	DATE
R13R-5030P-6T2-3526		0313-4-0111
3~400V 50Hz D/Y 180/125W 0,44/0,21A 890/710RPM MAX.AMB.70° C		
3~400V 60Hz D/Y 245/140W 0,45/0,25A 990/680RPM MAX.AMB.70° C		
IP54 INS.CL.155		
TH.PROT.		
ErP: Effes=29,5% (A,static) N=40,1		