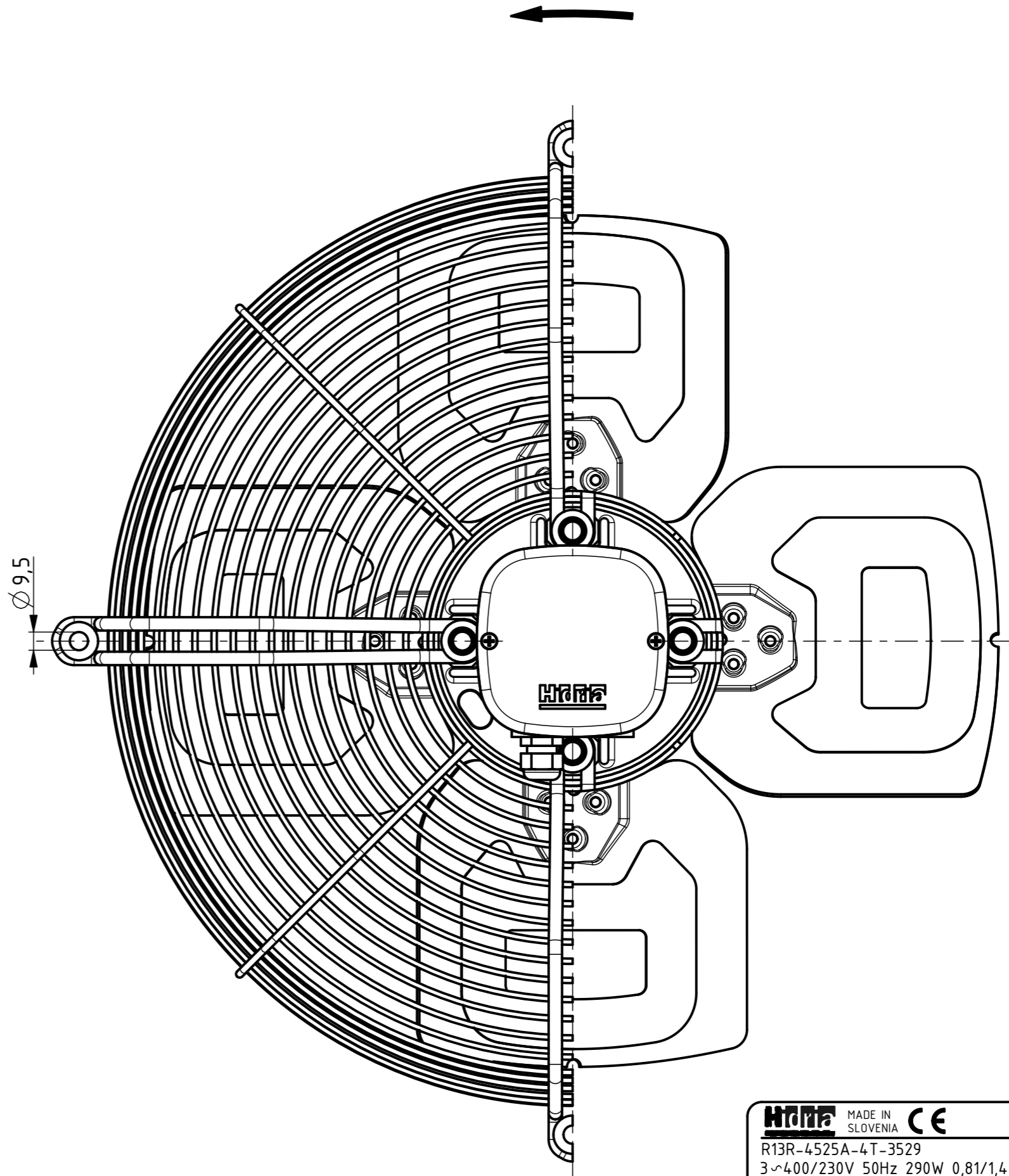
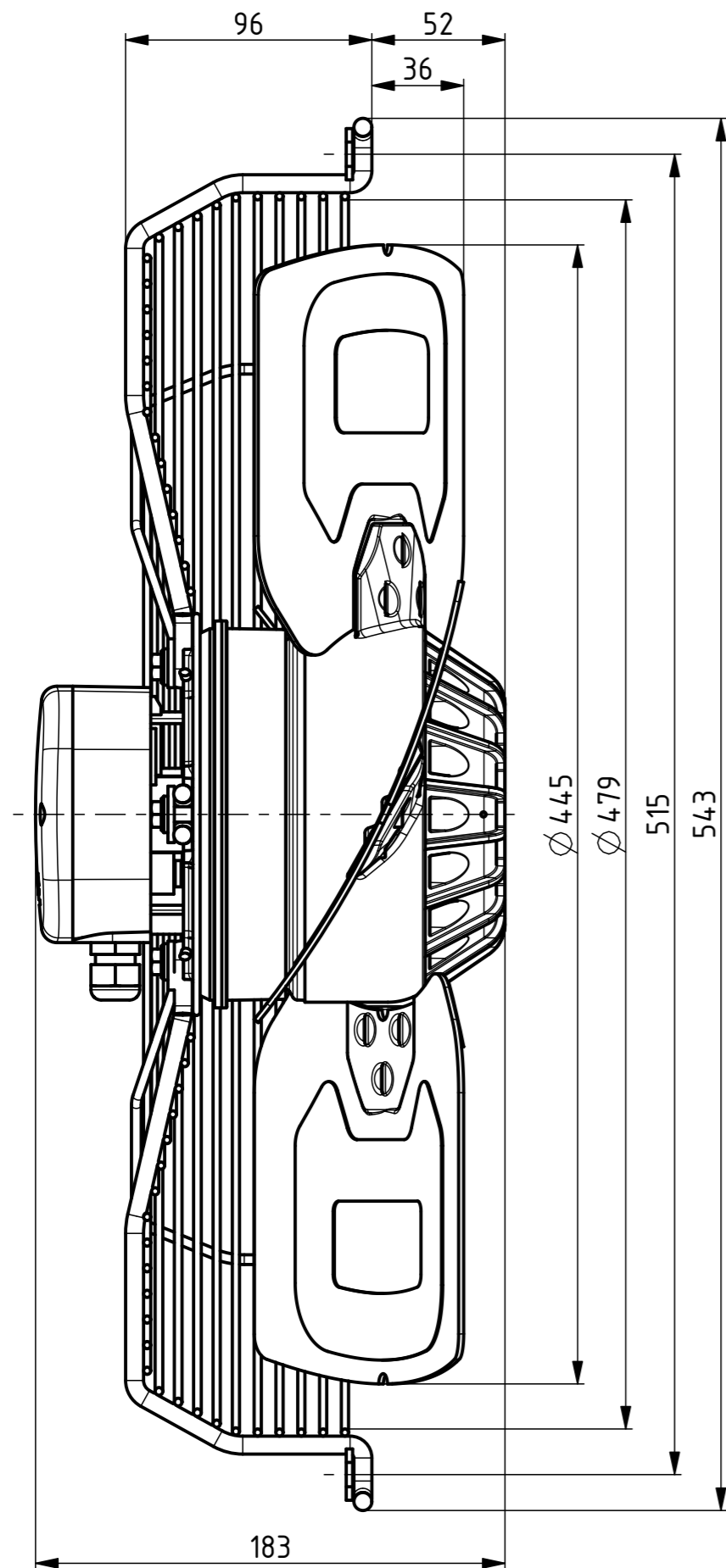


AIRFLOW  
DIRECTION



Weight: 8,4kg

<b>HITITE</b> MADE IN SLOVENIA	<b>CE</b>	DATE
R13R-4525A-4T-3529		0313-4-0138
3~400/230V 50Hz 290W 0,81/1,4A 1350RPM MAX.AMB.40° C		
3~400/230V 60Hz 410W 0,81/1,4A 1530RPM MAX.AMB.65° C		
IP54 INS.CL.155		
TH.PROT.		
ErP: Effes=33,0% (A,static) N=42,3		